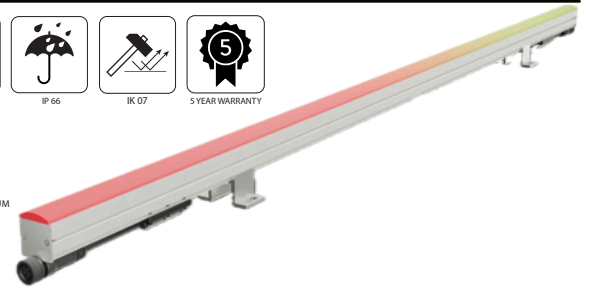
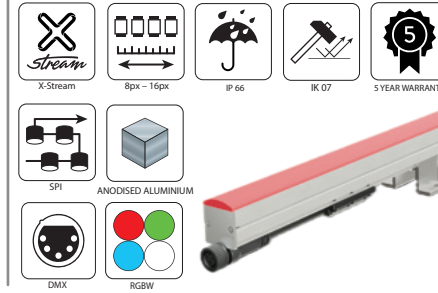


## LINEAR BAR SERIES | DIRECT VIEW LINEAR PIXEL BAR

Designed for harsh environments, the LXD delivers dynamic lighting with even illumination with 1 to 16 pixels through its PMMA opal diffuser. Built for durability, it ensures consistent performance in demanding conditions.

Utilising LED CTRL's X-Stream technology, the LXD delivers advanced features including pixel data redundancy for enhanced performance and long data runs for easier installations.

Multiple mounting methods, push lock connectors, and long data runs, make the LXD perfect for signage, building façades, and much more.



### PART NUMBER CONFIGURATOR

Prefix	Pixels/m	Length	LED Colour	White CCT	Control	Voltage	Housing Colour	Mounting
LXD	1 – 1 pixel/m 2 – 2 pixels/m 3 – 3 pixels/m 4 – 4 pixels/m 5 – 5 pixels/m 6 – 6 pixels/m 7 – 7 pixels/m 8 – 8 pixels/m	300 – 300mm 500 – 500mm 1000 – 1000mm	RGBW RGBA RGB DW – Dynamic White (20K - 50K) W – White (24K - 60K)	24K – 2400K 27K – 2700K 30K – 3000K 35K – 3500K 40K – 4000K 50K – 5000K 60K – 6000K	D – DMX S – SPI X – X-stream	24 – 24V DC 48 – 48V DC	A – Aluminium C – Custom RAL	C – Clipped Mount F – Foot Mount B – Hook-on Bracket

### SPECIFICATIONS

Example: LXD – 4 – 1000 – RGBW – 35K – X – 48 – A – C

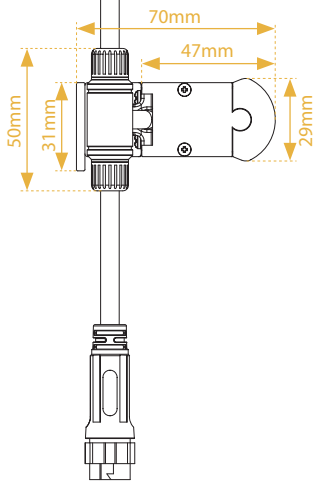
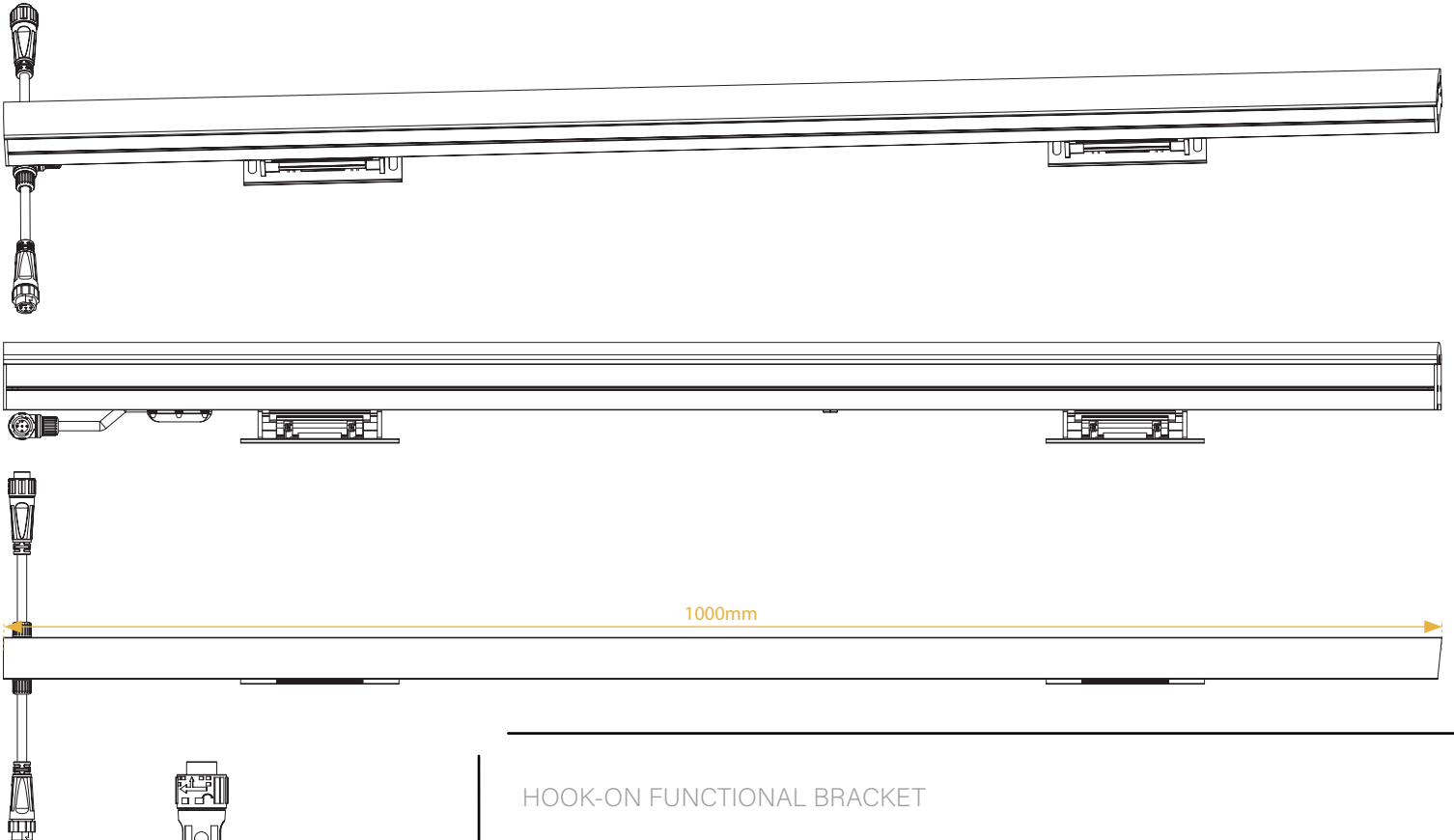
Electrical	Power Consumption Operating Voltage Operating Temperature Storage Temperature	14W per meter 24V DC / 48V DC -20°C TO 50°C (-4°F TO 122°F) -20°C TO 70°C (-4°F TO 158°F)
Physical	Dimensions Aluminium Housing UV Stable Lens Weight/m Diffuser Connectors IK Rating IP Rating Mounting Options Source Life Connection Maximum Run Length	L: 300mm – 1200mm (variable depending on pixel pitch) – W: 24mm – H: 45mm Standard (default) or Custom RAL PMMA Opal Diffuser 1.26kg / m Flat Multipin IP67 push lock IK07 IP66 Clip Mount, Foot Mount, and Hook-on functional brackets 50,000 hours / L70 at 25°C 6-pin DC / SPI cable with IP connectors for daisy chain 78.8m @ 10pixels/m – 3 universes 38.4m @ 10pixels/m – 6 universes
Optical	Beam Angle Colour Range Pixel Density LED Type	120° White (2400K, 2700K, 3000K, 3500K, 4000K, 5000K, 6000K), RGB, RGBW, RGBA, Dynamic White (2000K-5000K) 1 – 8 pixels / meter 5050 SMD LEDs
Diming & Control	Control Protocols	X-Stream: SPI with data redundancy Other – SPI, DMX
Fixture Rating & Certifications	UL LISTED, CE RoHs COMPLIANT	
Limited Warranty	5 Years	Extendable Warranty Available

## LINEAR BAR SERIES | DIRECT VIEW LINEAR PIXEL BAR

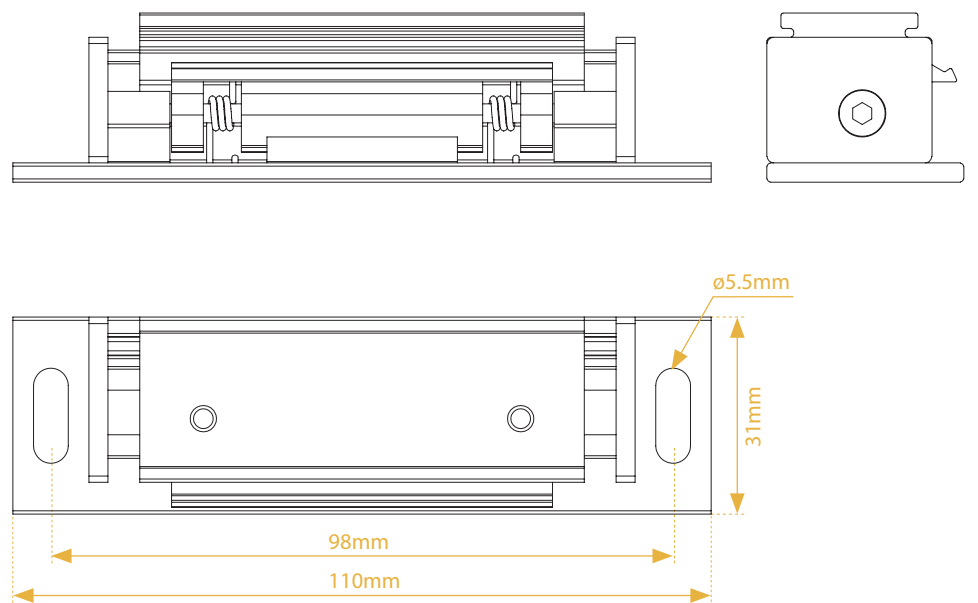
### DIMENSIONS AND MOUNTING

#### HOOK-ON FUNCTIONAL BRACKET

Available in lengths of 100mm increments from 300 to 1200mm



#### HOOK-ON FUNCTIONAL BRACKET

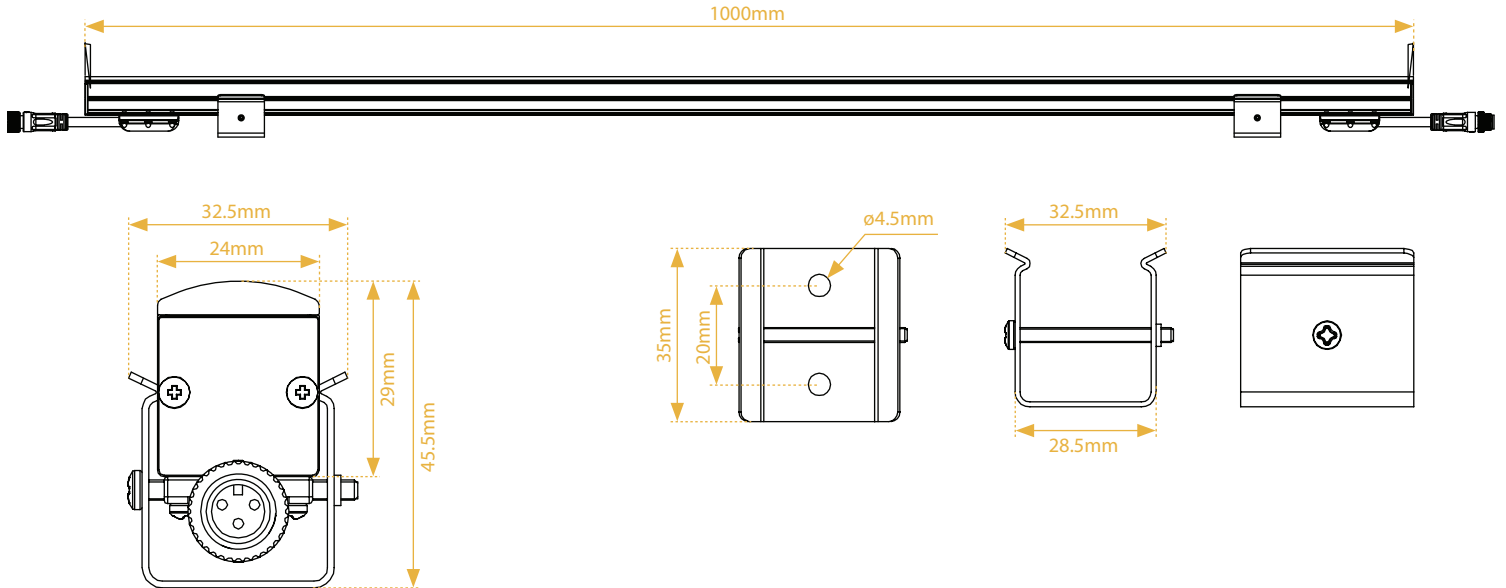


## LINEAR BAR SERIES | DIRECT VIEW LINEAR PIXEL BAR

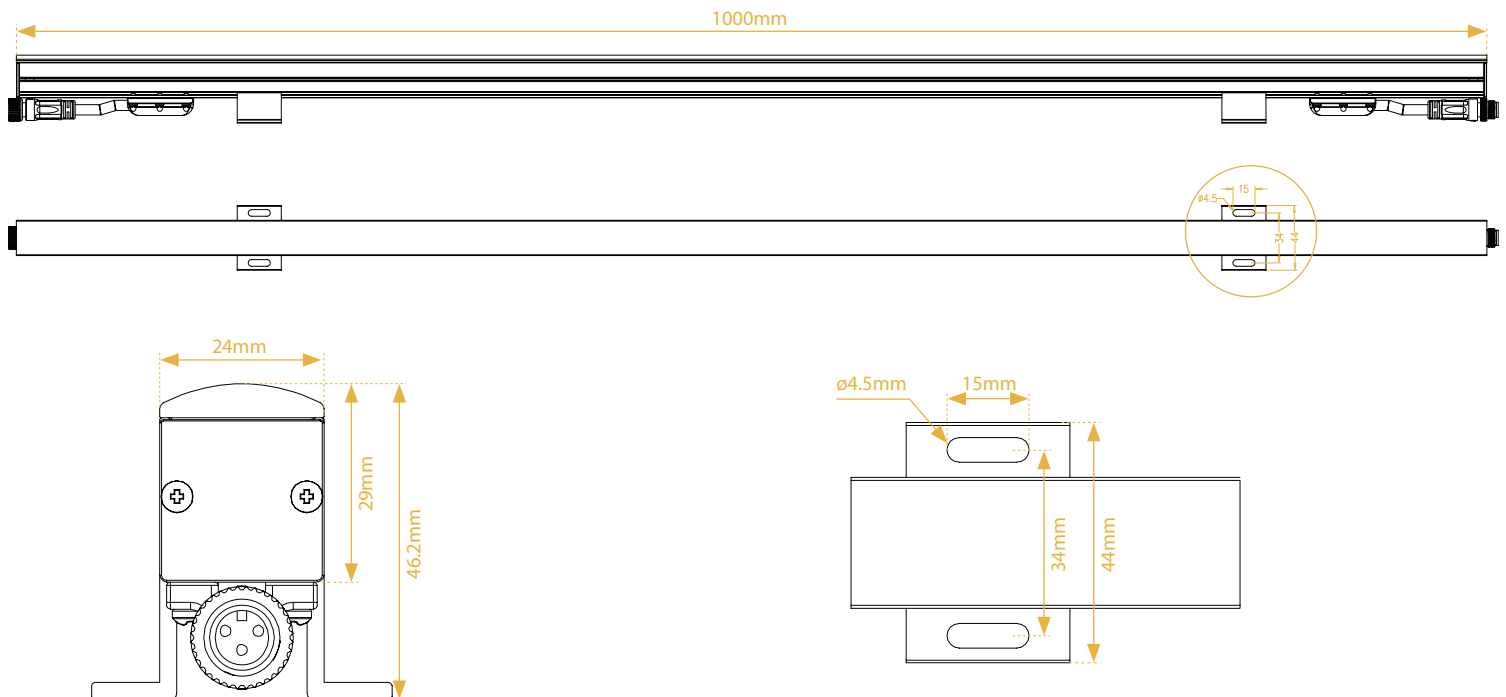
### DIMENSIONS AND MOUNTING

#### MOUNTING OPTIONS

##### SPRING CLIP BRACKET



##### FOOT MOUNT BRACKET



## LINEAR BAR SERIES | DIRECT VIEW LINEAR PIXEL BAR

### WIRING INFORMATION

#### Typical Wiring Diagram

