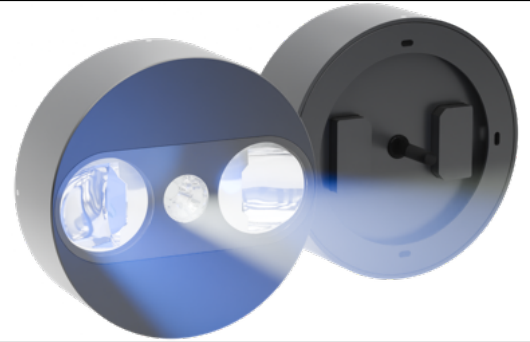


## BXC | Wall Mounted CORRIDOR LIGHT

The BXC Wall Mounted Corridor Light is designed to deliver controlled, comfortable illumination for interior corridors and transitional spaces. Its three-optic layout blends left and right wall-wash beams with a focused centre spot to ensure balanced visual coverage.

With RGBW/RGBA/RGBL side modules and multiple White CCT options for the centre, it provides flexible scenes for architectural environments. The dedicated corridor driver enables smooth control and consistent system performance.

Built from die-cast aluminium with tempered glass, the ceiling-mounted model is rated IP20, while the wall-mounted version achieves IP66, offering dependable durability across indoor and protected outdoor applications.



### PART NUMBER CONFIGURATOR

Prefix	Model	Left Side LED Colour	Left Side White CCT	Right Side LED Colour	Right Side White CCT	Middle Colour	Control	Power
BXC	WM - Wall Mount	RGBW RGBA RGBL	24K - 2400K 27K - 2700K 30K - 3000K 40K - 4000K 60K - 6000K	RGBW RGBA RGB	24K - 2400K 27K - 2700K 30K - 3000K 40K - 4000K 60K - 6000K	A - Amber 24K - 2400K 27K - 2700K 30K - 3000K 40K - 4000K 60K - 6000K	D - DMX R - RDM DA - DALI X - X-Stream	15 - 15W 30 - 30W

Example: BXC - WM - LRGBW - 27K - RRGBW - 30K - M24K - R - 15

### SPECIFICATIONS (Wall Mounted)

Electrical	Power Consumption Operating Temperature Storage Temperature	15W OR 30W -20°C TO 50°C (-4°F TO 122°F) -20°C TO 70°C (-4°F TO 158°F)
Physical	Dimensions Housing IP Rating Source Life Connection	Dia. 260mm x 154mm (H) Die-casting aluminium plus tempered glass IP66 50,000 ≈ 70,000 hours/L70 at 25°C 8-pin cable
Optical	Beam Angle Colour Range  LED Type	Left/Right side - Wall Wash Beam Angle / Center - Spot Beam Angle Left Side - 4-in-1 RGBW or RGBA or RGBL Center - Amber/2400K/2700K/3000K/4000K/6000K Right Side - 4-in-1 RGBW or RGBA or RGB High Power LEDs
Dimming & Control	Dimming Protocols Controlled	DMX, RDM, DALI, X-Stream Current design and only can be Driven by Corridor Driver
Fixture Rating & Certifications	CE	
Limited Warranty	5 Years	Extendable Warranty Available

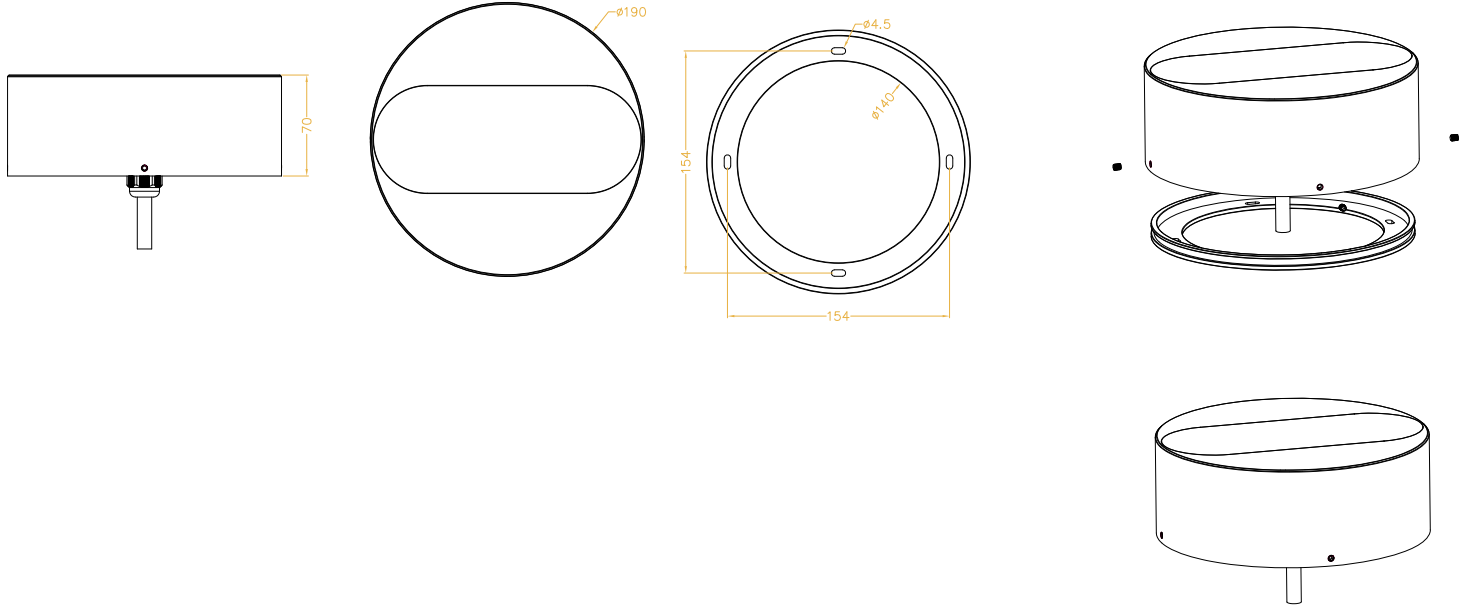
### SPECIFICATIONS (Light Driver)

Electrical	Power In Output	100≈277V 5W/10W option by RDM setup
Physical	Dimensions Connection IP Rating	189mm(L) x 65mm (W) x 52mm (H) 6-pin AC/DMX cable input c/w bare end IP 20
Dimming & Control	Controlled	DMX, RDM, addressed by RDM tester, 9 DMX Channels

## BXC | Wall Mounted CORRIDOR LIGHT

### DIMENSIONS AND MOUNTING

#### DIMENSIONS - WALL-MOUNTED



#### DIMENSIONS - LIGHT DRIVER

