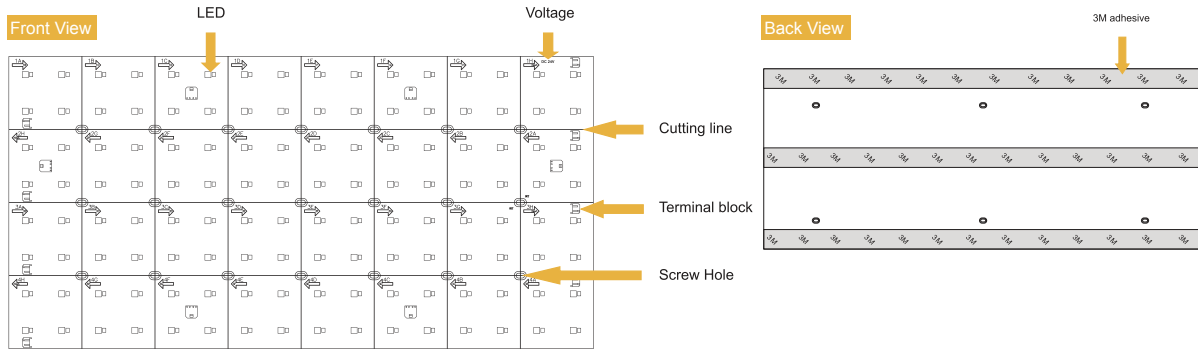


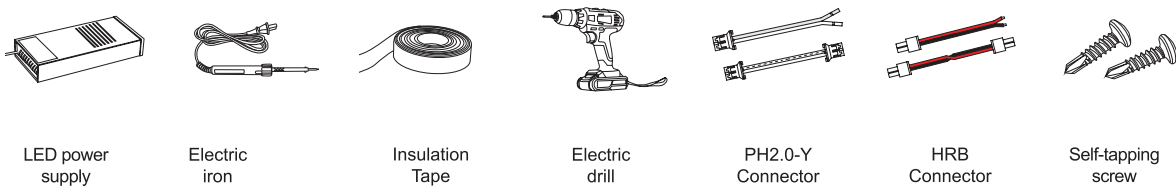
FXP RGB+W FLEXIBLE PANEL SERIES

Installation

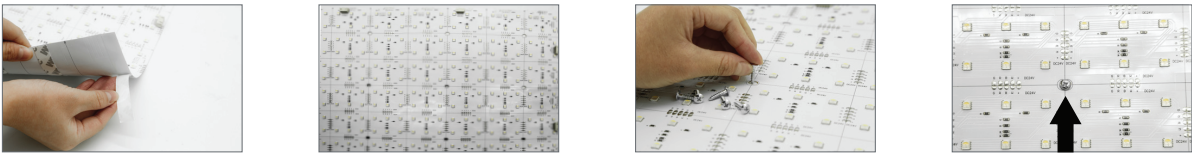
The product



Accessories and Tools

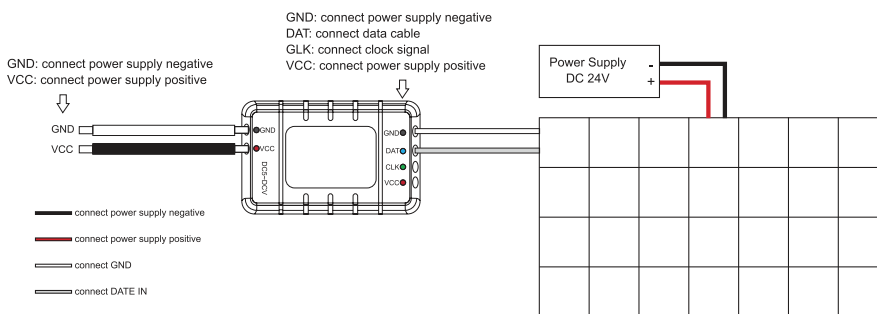


Installation Steps



Note:
“+” for white-red wire.
The above pictures are only for reference.

Connection Diagram of Controller



FXP RGB+W FLEXIBLE PANEL SERIES

Installation

Attentions before installation

- Before installation, check that the product parameters are consistent with the requirements (Seeing product specifications or product labels)
- Load voltage, current, power, and power supply should be matched with the product.
- Follow the instructions of wiring diagram (first connect the load and then the power supply) to avoid short circuit.
- Make sure the correct connection of positive and negative poles between products and power supply. Otherwise, the light will not be on.
- Make sure the power cord firmly screwed into the terminal and it should not be pulled out by hands.
- The terminal should have insulation, waterproof and anti-corrosive treatment.

Common Faults and Troubleshoots

Quick Guide		
Problems	Reasons	Solutions
All LEDs can not light on.	No electric supply.	Power on
	Automatic power protection from the open or short circuit in output of the power supply.	Fix the short circuit problem.
	Wrong connection of power supply.	
LEDs can not light on partly.	Some switching mode power supplies are not powered.	Check the power supply system to fix it.
	Power supply line error.	
	Mistaken wire connection of some products	Correctly connection
Brightness of LED is inconsistent or insufficient.	Power overloaded.	Replace with more powerful power
	Power supply circuit excessive consumption.	Make sure the working voltage of the product within $\pm 5\%$ of standard voltage, or keep balance by circuit power consumption.
	Excessive quantities in series connection of the product	Reduce the quantities of the product in series connection to meet requirement.
LED flicker.	Connection point fault.	Remove bad connection point.
	Switching power supply failure.	Replace a new power supply.
	Wrong Installation or use of products	Please follow the instructions.

⚠ Warning

- Do not disassemble or retrofit the light. Do not touch the surface of the light with a sharp object.
- Do not do live-line working during installation, especially for high voltage product.
- Do not use any organic chemicals solvents.
- Use neutral glass adhesive to fix this product and it needs to be dried 4 hours in the open environment after operation.
- Treat the ends and the circuit connection points that are not connected to the main line with insulation, waterproof, and anti-corrosion in the installation.
- Use 18AWG (0-75mm² cross-sectional area) or thicker core wire to avoid adverse consequences caused by overheating, if the power cable need to lengthen.
- Make sure the input voltage meets the requirements and lines are connected correctly before lighting on.
- This product is for signage, and do not use as general lighting.
- Series connection with the max run.
- The length of the power cable between the power supply and the LED strip should not exceed 2 meters. Otherwise, large circuit loss will lead to inconsistent brightness.
- Installation, maintenance and repair should be operated by a qualified technician.

Statements and Recycling

Statements:

Repair should be operated by a qualified technician, if the external circuit or main line of this product is damaged. The parameters given in this manual are typical values and for reference only. All illustrations and drawings in this manual are for reference. This product is subject to change without notice.

Recycling:

LED lighting products belongs to electronic products, please do recycling treatment according directives.

FXP RGB+W FLEXIBLE PANEL SERIES

Installation

Instruction of single-sided lightbox

