

SMX | PIXEL MODULE

The SMX is a compact, high-performance RGBW pixel module for signage, light boxes, and shallow illuminated surfaces. Its integrated lens ensures consistent light diffusion, even in tight or low-profile applications.

With IP66 protection, UV-resistant housing, and compatibility with LEDCTRL controllers (MX96, PX24, SX), SMX delivers dynamic pixel-level control and reliable outdoor performance.

Modules can be individually cut, mounted with adhesive or screws, and are ideal for depth-critical installations from 10-25cm.



PART NUMBER CONFIGURATOR

Prefix	Length	LED Colour	Control	Voltage	Beam Angle	Led Qty	Mount
SMX	150mm	RGBW RGB W	DMX SPI	12 – 12V	150 – 150°	3	S – Screws ST – Sticker AD – Adhesive Tape
EXAMPLE: SMX – 150 – RGBW – SPI – 12 – 150 – 3 – ST							

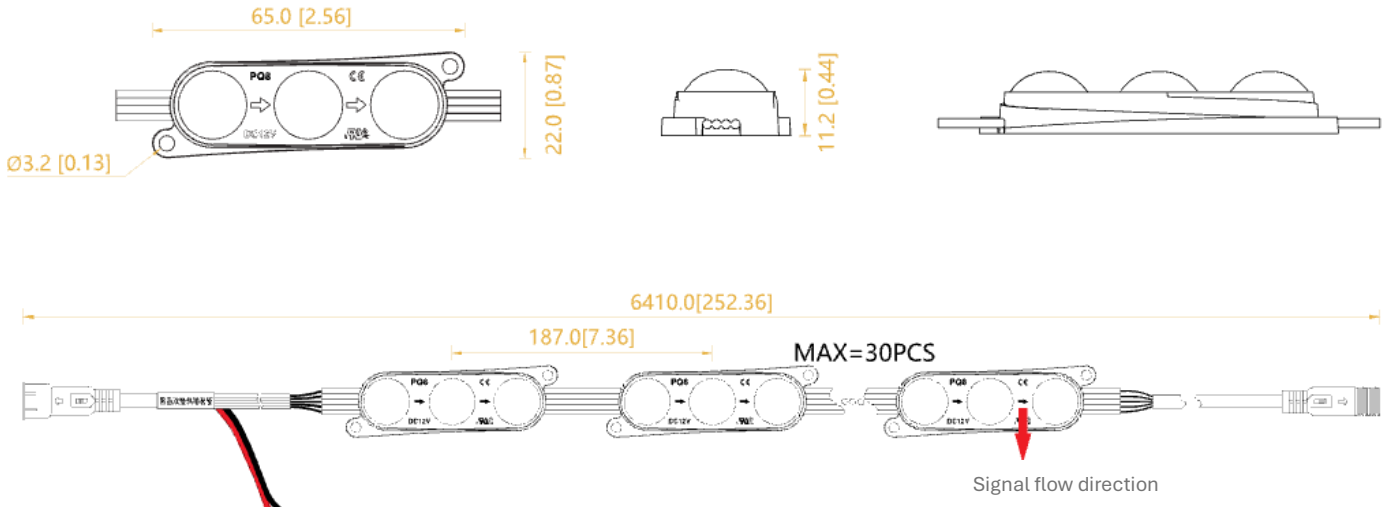
SPECIFICATIONS

Electrical	Power (W/pcs) Operating Voltage Operating Temperature Storage Temperature	0.20W / pcs 12V -20°C to 60°C - (-4°F TO 131°F) -20°C to 70°C - (-4°F TO 158°F)
Physical	Dimensions Led Qty/pcs CRI IP Rating Mounting Options Standard Run (pcs)	L: 65mmmm – W: 22mmmm – H: 11.2mm 3 LEDs 80+ IP68 Adhesive tape, Screws, Sticker 30pcs
Optical	Beam Angle Colour Range Luminous Flux (lm/pcs) LED Type	150° RGBW, RGB, W 10lm/pcs SMD 5050
Control	Dimming Protocols	SPI
Fixture Rating & Certifications	CE	
Limited Warranty	3 Years	Extendable warranty available

SMX | PIXEL MODULE

DIMENSIONS & CHARACTERISTICS

DIMENSIONS

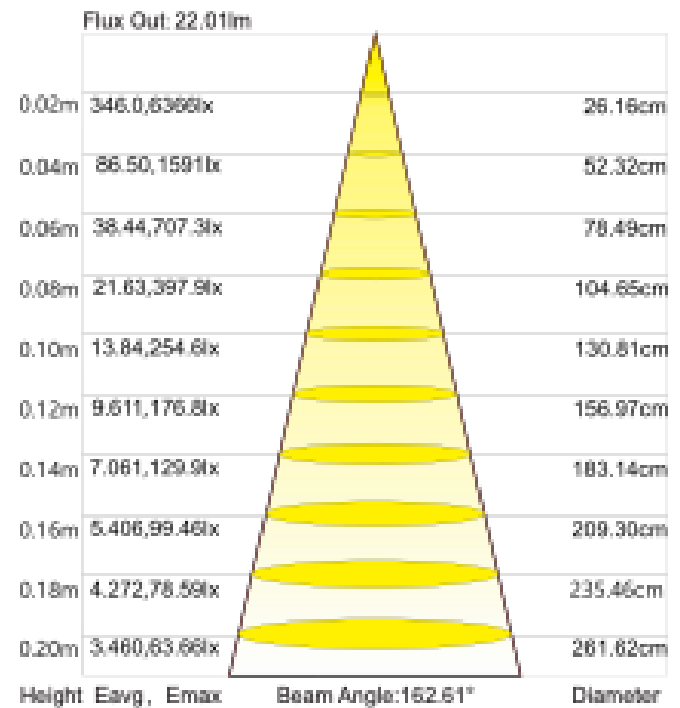
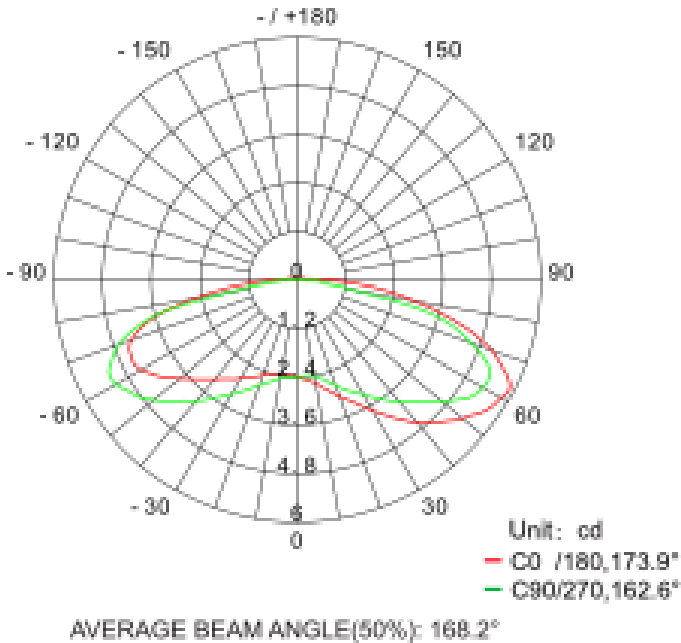


Note:
When in use, the controller must be connected to light up the product, if you need detailed dimensions, please contact a sales representative.

Signal flow direction: specify the flow direction from the controller to the outside

LUMINOUS INTENSITY DISTRIBUTION DIAGRAM

AVERAGE ILLUMINATION



Note:
The above data are obtained from SM8X-RGB. If you need data of other models, please contact a sales representative

SMX | PIXEL MODULE

WIRING CONSIDERATIONS

TYPICAL SYSTEM WIRING DIAGRAM

