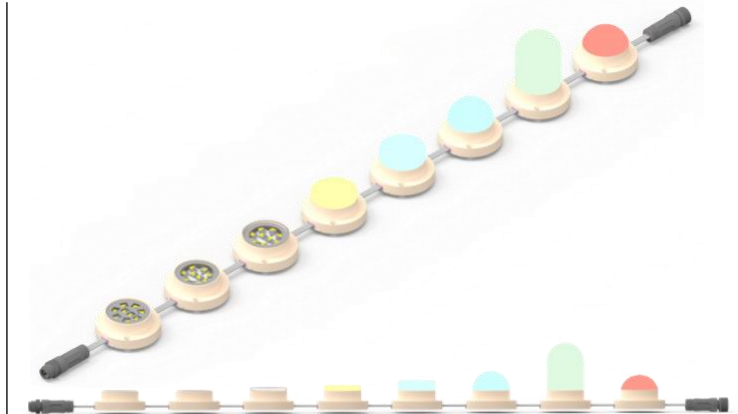


PUX | PIXEL PUCK RANGE

The PUX 9 is a powerful pixel puck designed for high-output architectural lighting across indoor and outdoor environments. Compact yet robust, it delivers dynamic and reliable illumination in a discreet, low-profile form.

With 9 high-performance LEDs, the PUX9 offers bright, vibrant output ideal for media facades, feature lighting, and creative visual displays.

Rated IP67 for protection against water and dust, the PUX9 is built to perform in demanding conditions.



PART NUMBER CONFIGURATOR

Prefix	Model	LED Colour	Control	LED String Qty	Pitch (mm)	Voltage	Lens Options	Housing Colour	Mount
PUX	9	RGBW RGBWA RGBWV RGB White	D – DMX S – SPI PWM X – X-Stream	1 2 3 4 5 6 7 8 9 10 11 12 13 14 ... 50	70 80 90 100 110 120 130 140 150 160 170 180 190 200 ... 350	24V DC	03 – 3mm 05 – 5mm 10 – 10mm BL – Black CL – Clear CR – Crystal CU – Custom DM – Dome FR – Frosted LN – Lens TD – Tall Dome TF – Tall Flat VB – Vinyl Black VG – Vinyl Grey VR (###) – Vinyl RAL VW – Vinyl White	R – RAL (###) W – White	B – 3m Back F – 3m Face C – Clip N – Nut P – Panel S – Screws U – U-channel
EXAMPLE: PUX9 – RGBW – X – 50 – 200 – 24 – CU – W – U									

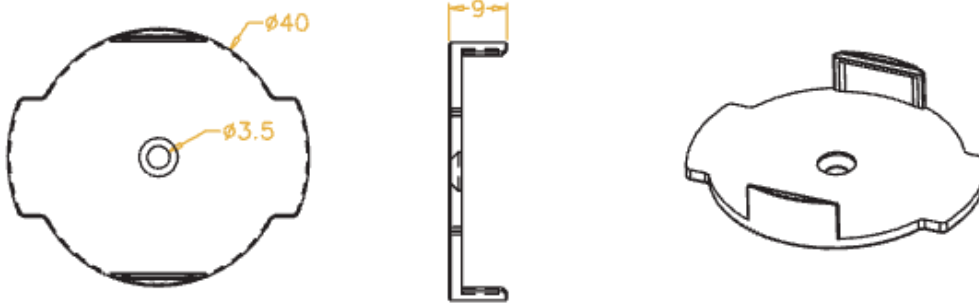
SPECIFICATIONS

Electrical	Power Consumption Operating Voltage Operating Temperature Storage Temperature	2.25W (RGB or White) / 2.5W (RGBW) 24V DC -20°C TO 50°C (-4°F TO 122°F) -20°C TO 70°C (-4°F TO 158°F)
Physical	Dimensions Housing / Lens Weight Connectors IP Rating Finish Mounting Options Source Life Connection Maximum Run Length	Ø40mm x 13mm Aluminium housing, Glass Cover & optional PC Clear or frosted diffuser 0.05Kgs/unit T-power Join, T-power Break, IP67 Die-cast aluminium Clip Mount, Surface Mount, U-channel Mount 50,000 hours/L70 at 25°C IP67 Plug & Play 3-Pin Connector 30 PUX9 Per Run, before Power and Data Injection
Optical	Beam Angle Colour Range LED Type Pitch Pixel	120° - 180° depending on diffuser shape RGB, RGBW, RGBA, Static White 5050 RGBW SMD LEDs 70mm – 350mm (Standard) / Customised options available
Control	Dimming Protocols	X-Stream (with PXT/PXR devices), SPI, DMX, PWM
Fixture Rating & Certifications	ETL, CE RoHs COMPLIANT	
Limited Warranty	5 Years	Extendable warranty available

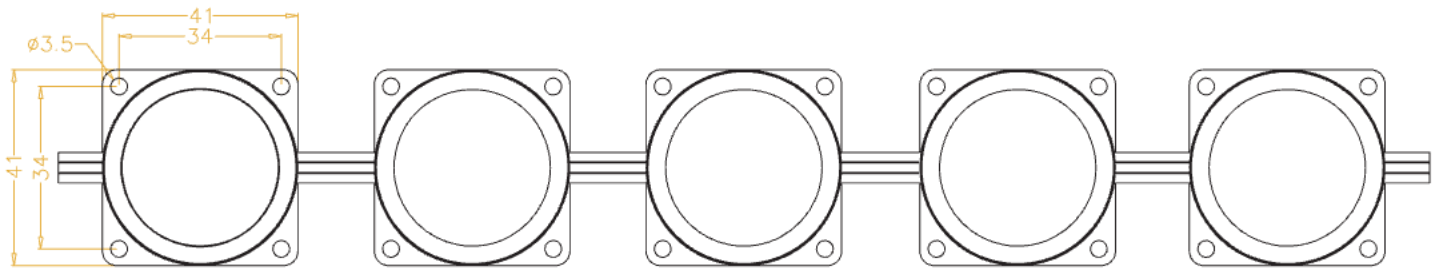
PUX | PIXEL PUCK RANGE

DIMENSIONS & MOUNTING

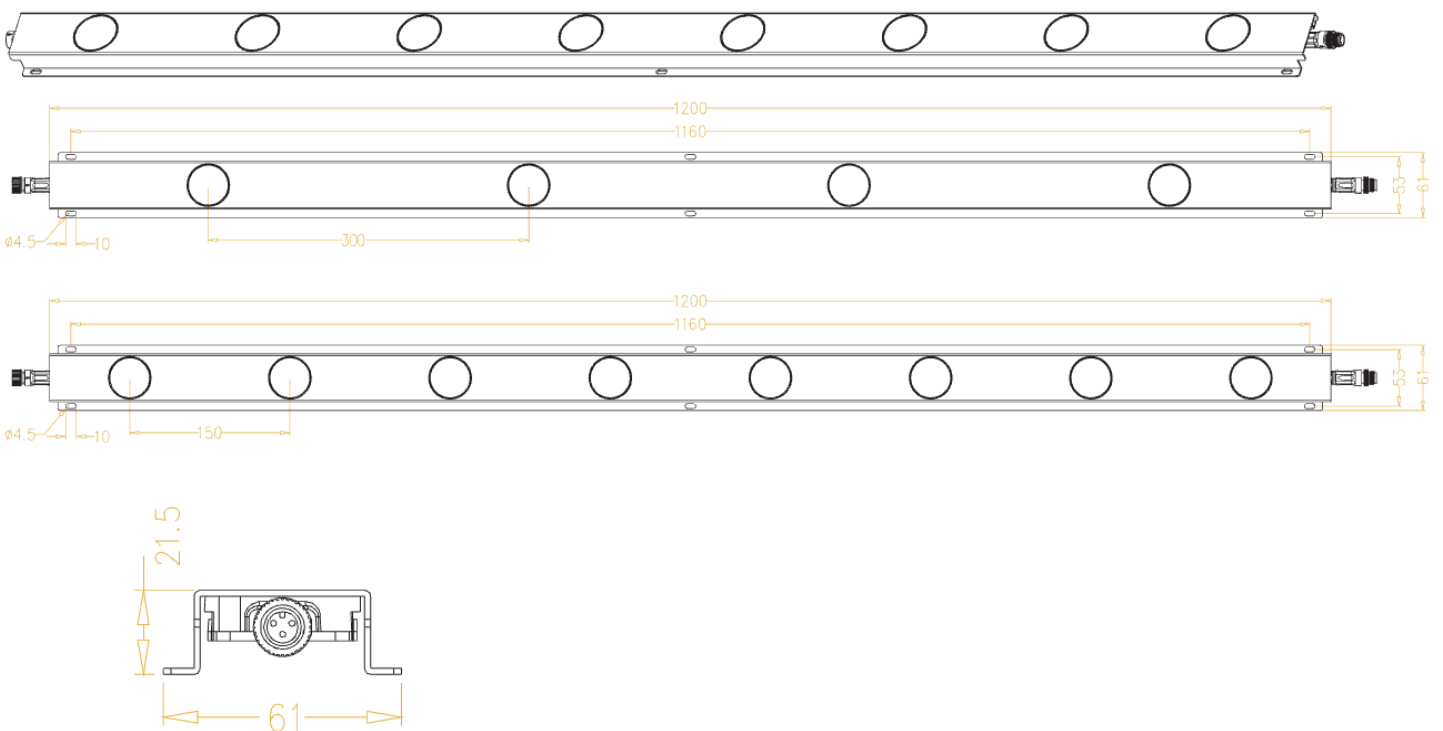
CLIP MOUNT



SURFACE MOUNT



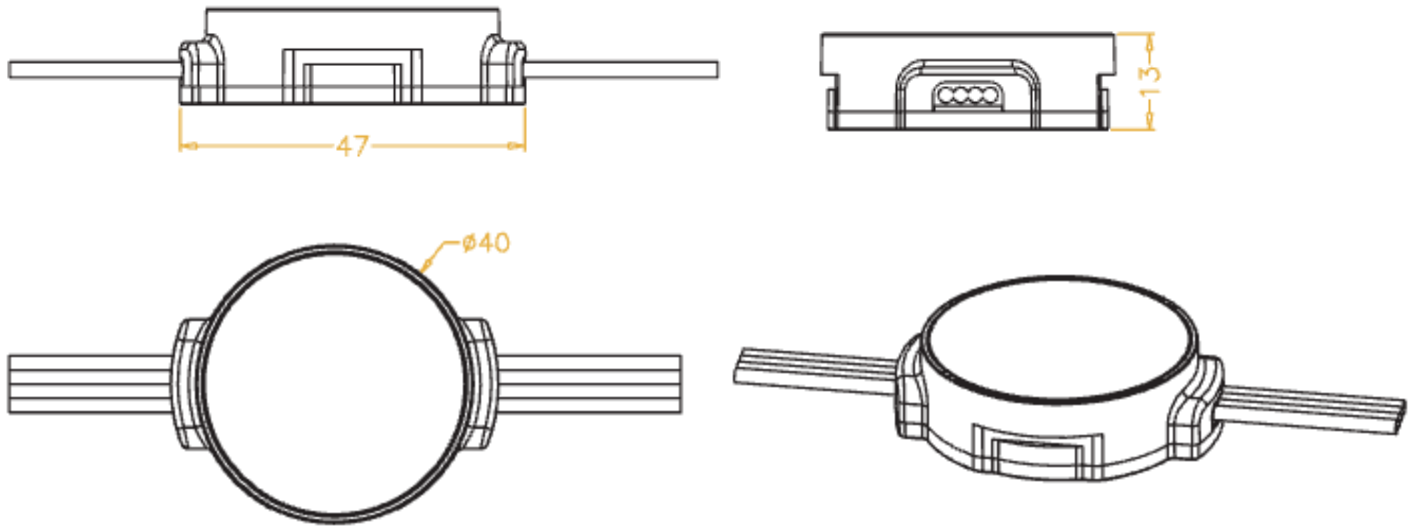
U-CHANNEL MOUNT



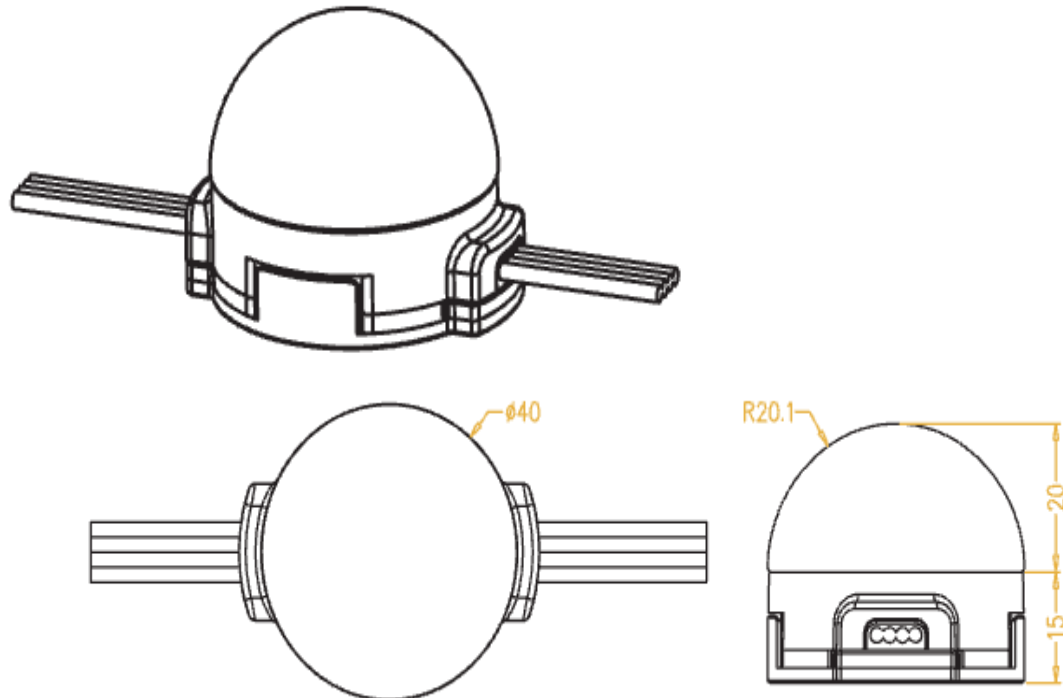
PUX | PIXEL PUCK RANGE

DIMENSIONS & MOUNTING

CLEAR FLAT DIMENSIONS



CLEAR DOME DIMENSIONS



PUX | PIXEL PUCK RANGE

WIRING CONSIDERATIONS

TYPICAL SYSTEM WIRING DIAGRAM

