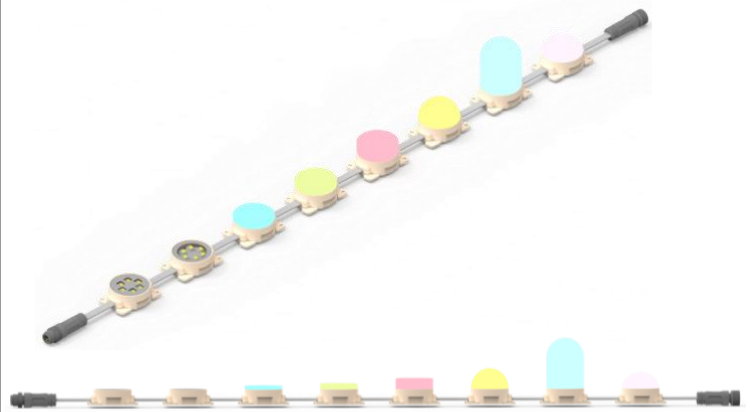


PUX | PIXEL PUCK RANGE

The PUX 6 is a compact, high-performance pixel puck designed for dynamic architectural lighting applications. Engineered for indoor and outdoor use, it delivers reliable, precise illumination in a durable, low-profile form.

Equipped with 6 high-output LEDs, the PUX 6 offers smooth, vibrant light with seamless integration into media facades, public spaces, and creative installations.

Built to withstand tough environments, the PUX 6 is IP67-rated for water and dust protection.



PART NUMBER CONFIGURATOR

| Prefix | Model | LED Colour | Control | LED String Qty | Pitch (mm) | Voltage | Lens Options | Housing Colour | Mount |
|--|-------|--|---|--|---|---------|---|----------------------------|---|
| PUX | 6 | RGBW RGBWA RGBWV RGB White | D – DMX S – SPI PWM X – X-Stream | 1 2 3 4 5 6 7 8 9 10 11 12 13 14 ... 50 | 70 80 90 100 110 120 130 140 150 160 170 180 190 200 ... 350 | 24V DC | 03 – 3mm 05 – 5mm 10 – 10mm BL – Black CL – Clear CR – Crystal CU – Custom DM – Dome FR – Frosted LN – Lens TD – Tall Dome TF – Tall Flat VB – Vinyl Black VG – Vinyl Grey VR (###) – Vinyl RAL VW – Vinyl White | R – RAL (###) W – White | B – 3m Back F – 3m Face C – Clip N – Nut P – Panel S – Screws U – U-channel |
| EXAMPLE: PUX6 – RGBW – X – 50 – 200 – 24 – CU – W – U | | | | | | | | | |

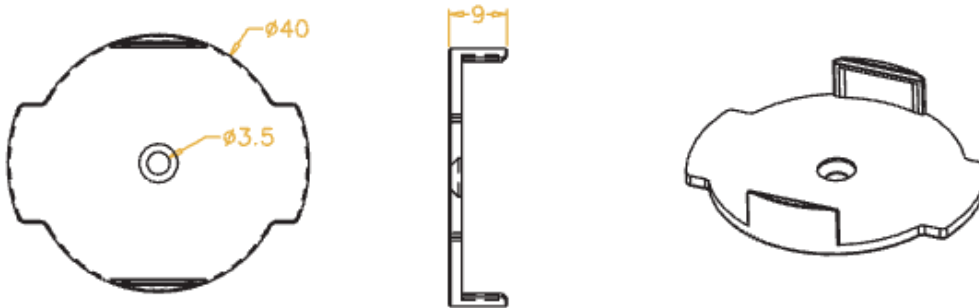
SPECIFICATIONS

| | | |
|--|--|--|
| Electrical | Power Consumption Operating Voltage Operating Temperature Storage Temperature | 1.5W (RGB) / 1.8W (RGBW) 24V DC -20°C TO 50°C (-4°F TO 122°F) -20°C TO 70°C (-4°F TO 158°F) |
| Physical | Dimensions Housing / Lens Weight Connectors IP Rating Finish Mounting Options Source Life Connection Maximum Run Length | Ø40mm x 13mm Aluminium housing, Glass Cover & optional PC Clear or frosted diffuser 0.05Kgs/unit T-power Join, T-power Break, IP67 Die-cast aluminium Clip Mount, Surface Mount, U-channel Mount 50,000 hours/L70 at 25°C IP67 Plug & Play 3-Pin Connector 50 PUX6 Per Run, before Power and Data Injection |
| Optical | Beam Angle Colour Range LED Type Pitch Pixel | 120° - 180° depending on diffuser shape RGB, RGBW, RGBA, Static White 5050 RGBW SMD LEDs 70mm – 350mm (Standard) / Customised options available |
| Control | Dimming Protocols | X-Stream (with PXT/PXR devices), SPI, DMX, PWM |
| Fixture Rating & Certifications | ETL, CE RoHs COMPLIANT | |
| Limited Warranty | 5 Years | Extendable warranty available |

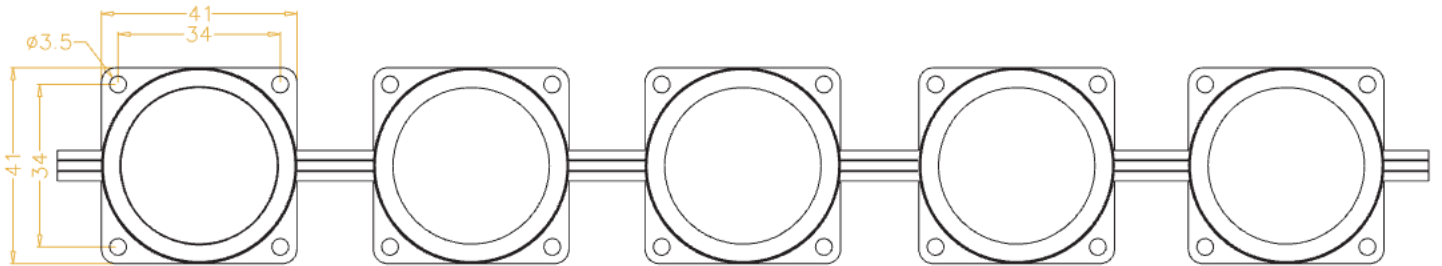
PUX | PIXEL PUCK RANGE

DIMENSIONS & MOUNTING

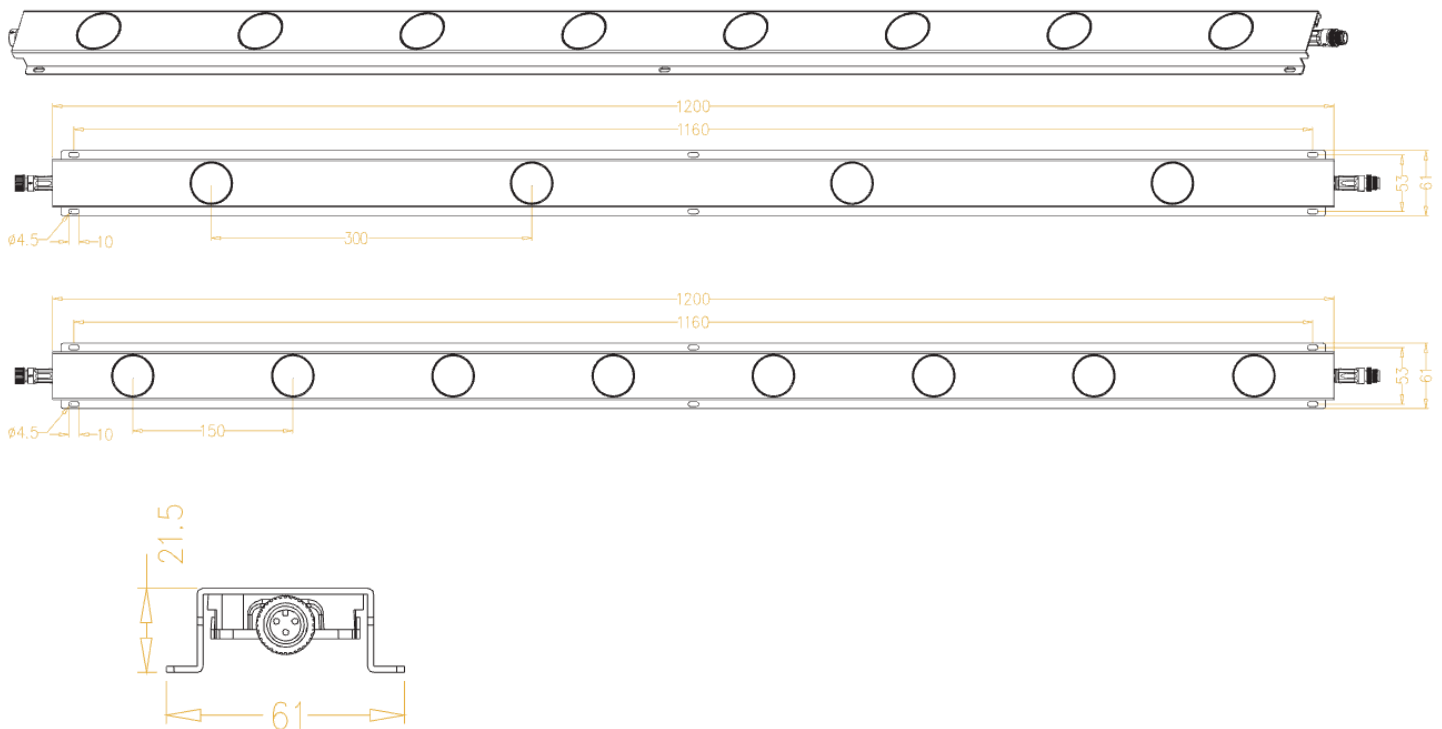
CLIP MOUNT



SURFACE MOUNT



U-CHANNEL MOUNT



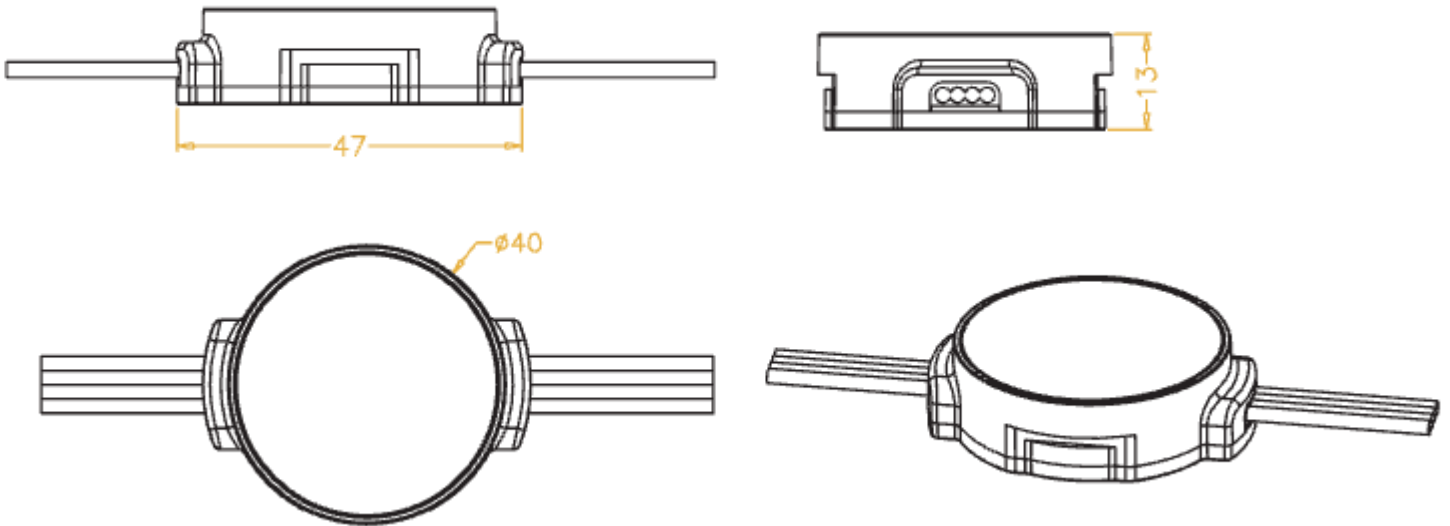
PUX6

DATASHEET – SPECIFICATIONS

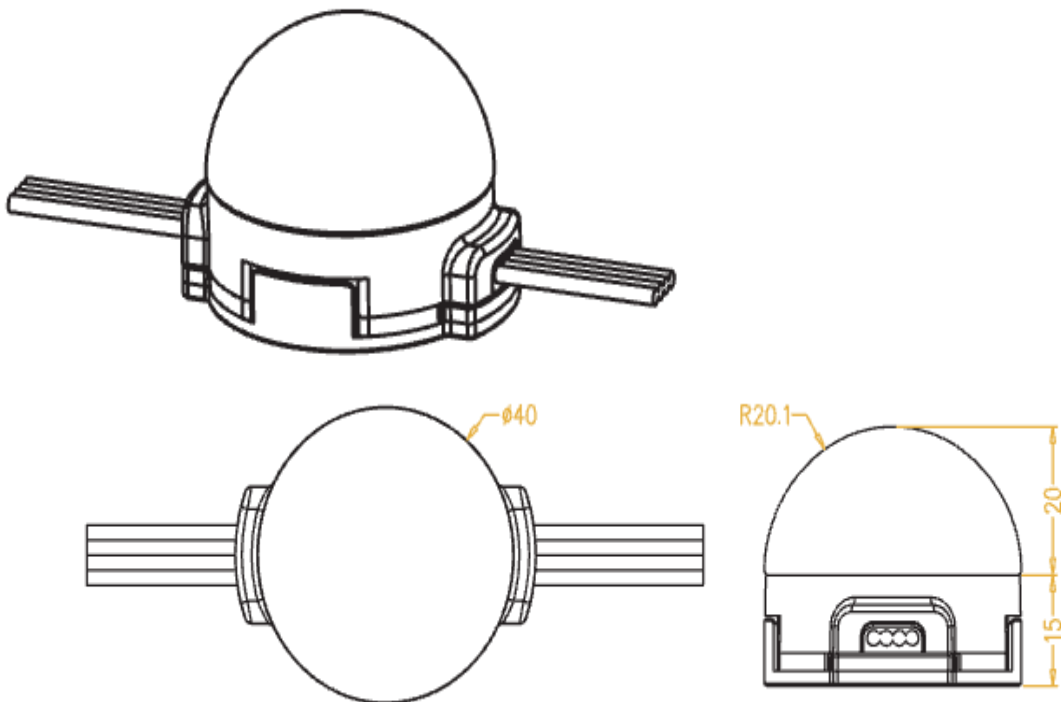
PUX | PIXEL PUCK RANGE

DIMENSIONS & MOUNTING

CLEAR FLAT DIMENSIONS



CLEAR DOME DIMENSIONS



PUX | PIXEL PUCK RANGE

WIRING CONSIDERATIONS

TYPICAL SYSTEM WIRING DIAGRAM

