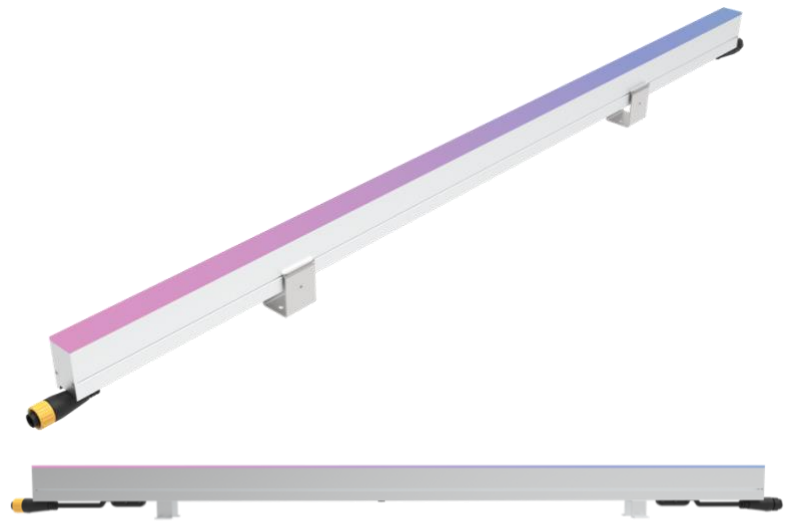


LXM | DIRECT VIEW LINEAR MEDIA BAR

The LXM is a slim, high-resolution media bar for direct-view indoor and outdoor applications, delivering smooth dynamic media effects.

Utilising LED CTRL's X-Stream technology, the LXM delivers advanced features including pixel data redundancy for enhanced performance and long data runs for easier installations.

Multiple mounting methods, push lock connectors and long data runs, make the LXM perfect for detailed signage, building facades, media applications and much more.



PART NUMBER CONFIGURATOR

Prefix	Model	Length	LED Colour	Control	Voltage	Lens Options	Housing Colour	Mount
LXM	10-50	500 – 500mm 1200 – 1200mm C – Custom	RGBW(30K) RGBW(40K) RGBW(60K) RGBA RGB White (24K – 60K)	D – DMX S – SPI X – X-Stream	24 – 24V DC 48 – 48V DC	F – Flat D – Dome	A – Aluminium C – Custom RAL	F – Foot Mount C – Clip Mount B – Hook-on Bracket
EXAMPLE: LXM50 – 1000 – RGBW(30K) – X – 48 – F – A – C								

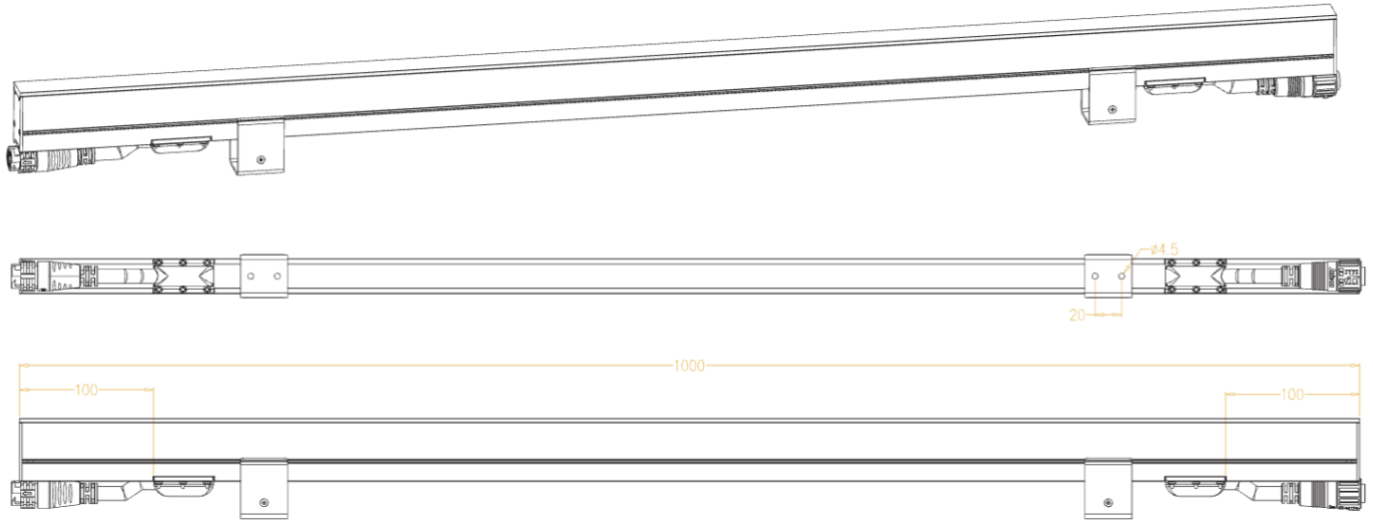
SPECIFICATIONS

Electrical	Power Consumption Operating Voltage Operating Temperature Storage Temperature	14W per metre 24V DC / 48V DC -20°C to 50°C - (-4°F TO 122°F) -20°C to 70°C - (-4°F TO 158°F)
Physical	Standard Dimensions Aluminium Housing UV Stable Lens Diffuser Shape Weight Connectors IP Rating Ik Rating Mounting Options Source Life Maximum Run Length	L: 500mm (Min) -1200mm (Max) / W: 20mm / H: 49mm Standard or Custom RAL PMMA Opal Diffuser Flat or Dome 2KGs / 4.40LBS (1M) Multipin IP67 push lock IP66 IK07 Clip Mount, Foot Mount, and Hook-on brackets 50,000 hours/L70 at 25°C 7.68m @ 50pixels/m – 3 universes 15.36m @ 50pixels/m – 6 universes
Optical	Beam Angle Colour Range Pixel Density Total Lumens LED Type	120° (Flat) / 180° (Dome) RGB, RGBW, RGBA, Dynamic White 10-50 pixels / metre 390lm/m 5050 SMD LEDs
Control	Dimming Protocols	X-Stream: SPI protocol with data redundancy Others – SPI, DMX
Fixture Rating & Certifications	CE, RoHs COMPLIANT	
Standard Warranty	5 Years	Extendable warranty available

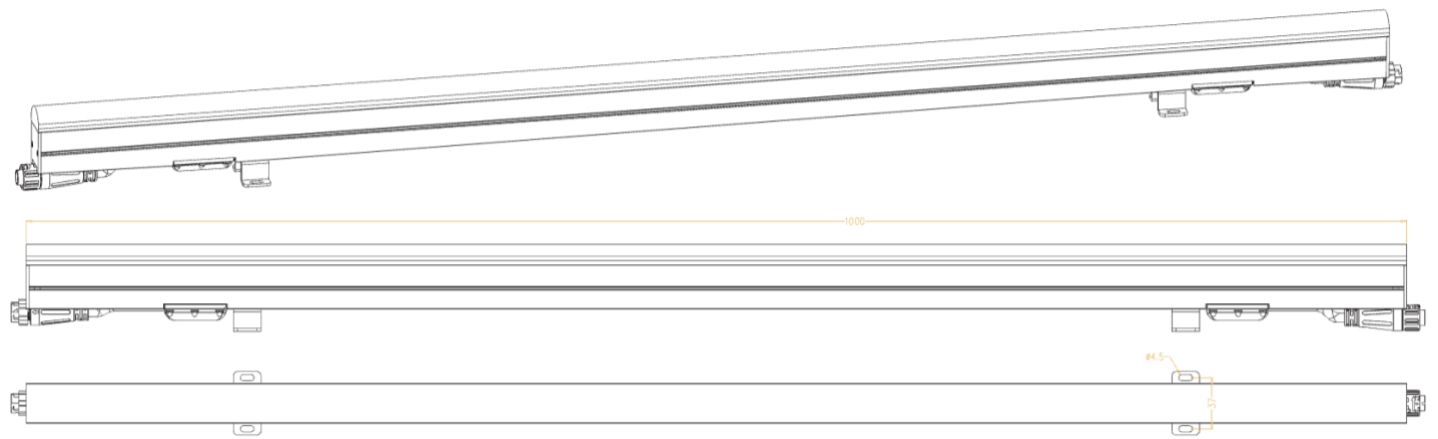
LXM | DIRECT VIEW LINEAR PIXEL BAR

DIMENSIONS & MOUNTING

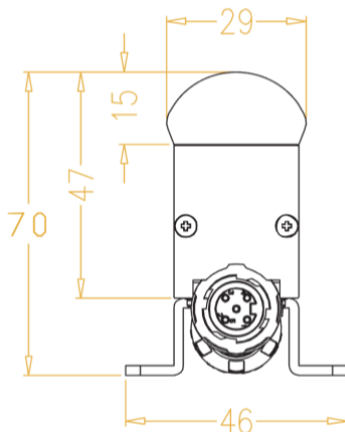
FLAT DIMENSIONS



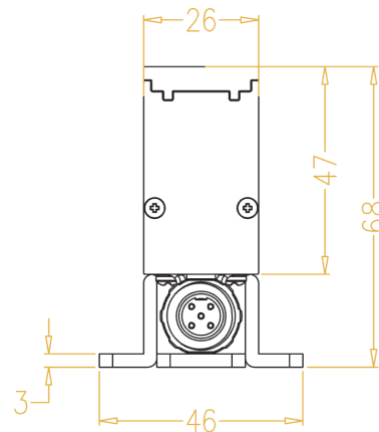
DOME DIMENSIONS



DOME DIMENSIONS FRONT



FLAT DIMENSIONS FRONT

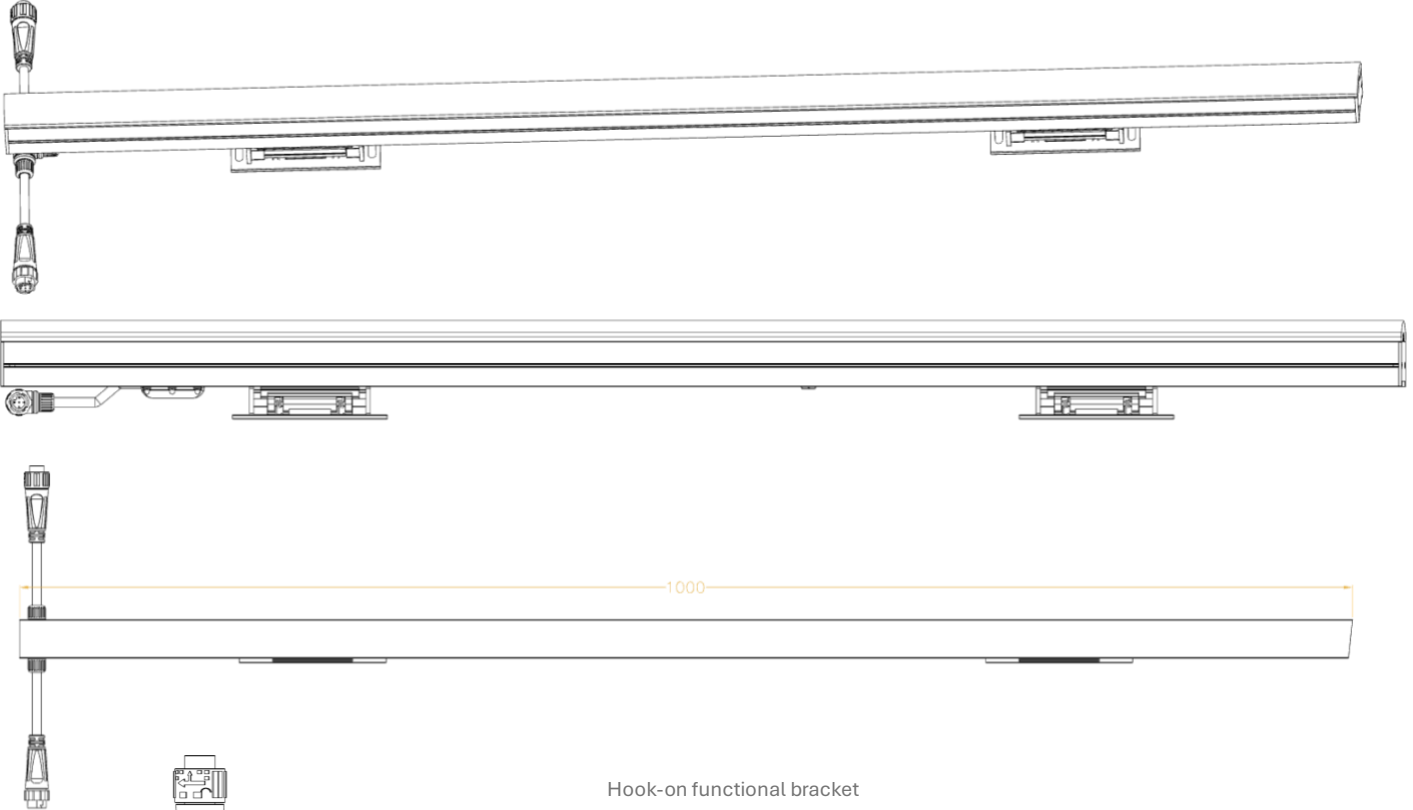


LXD | DIRECT VIEW LINEAR PIXEL BAR

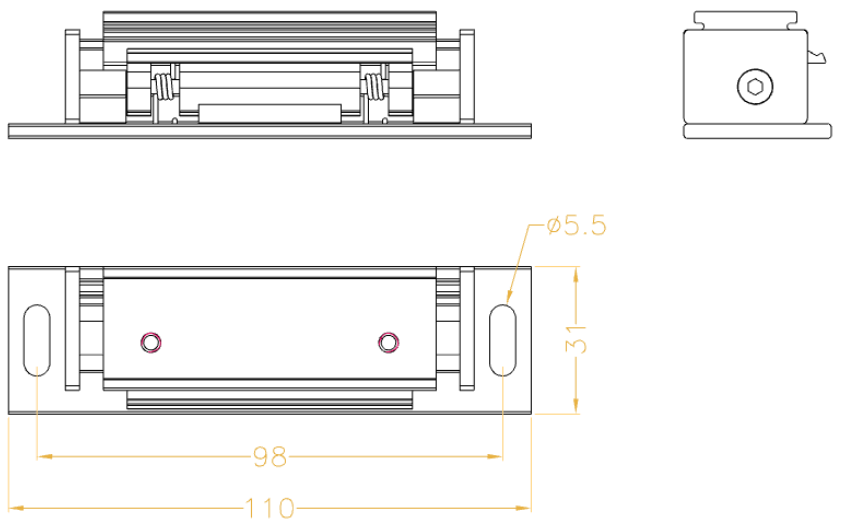
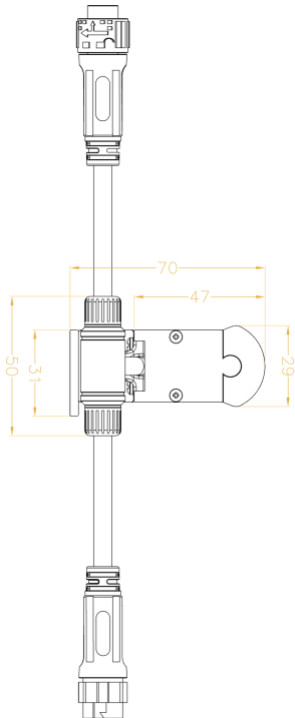
DIMENSIONS & MOUNTING

HOOK-ON FUNCTIONAL BRACKET

Available in lengths of 100mm increments from 500 to 1200mm



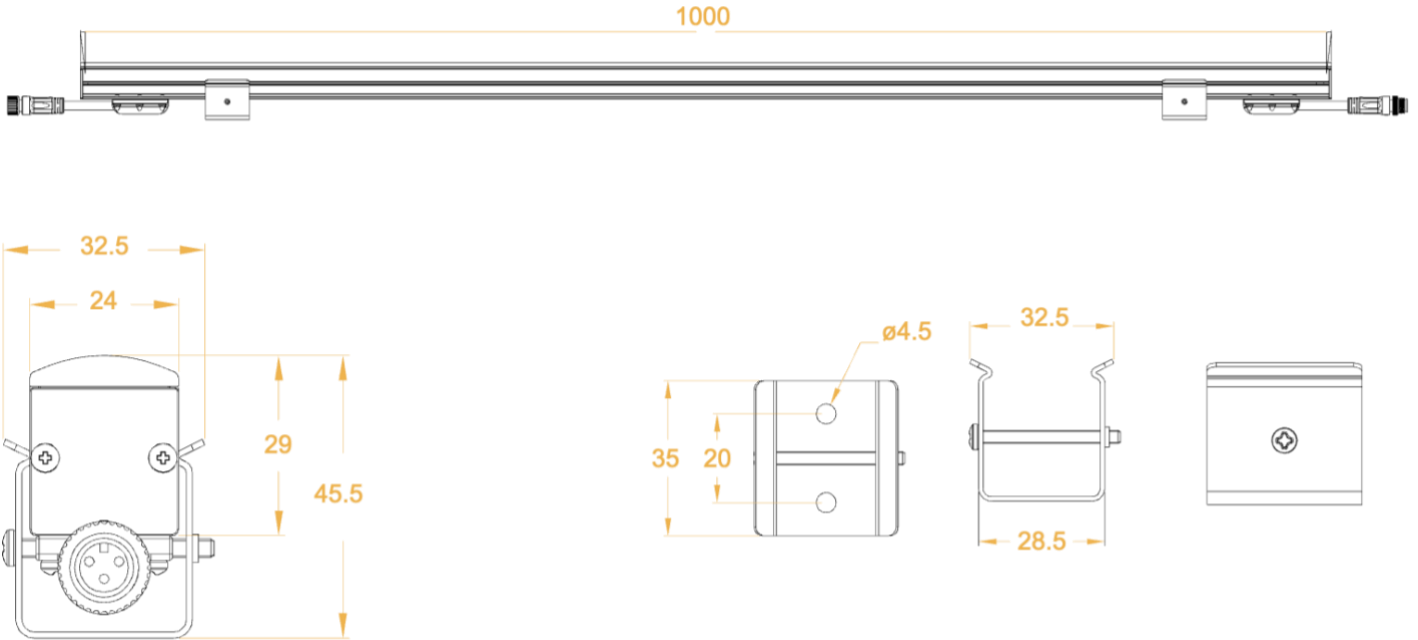
Hook-on functional bracket



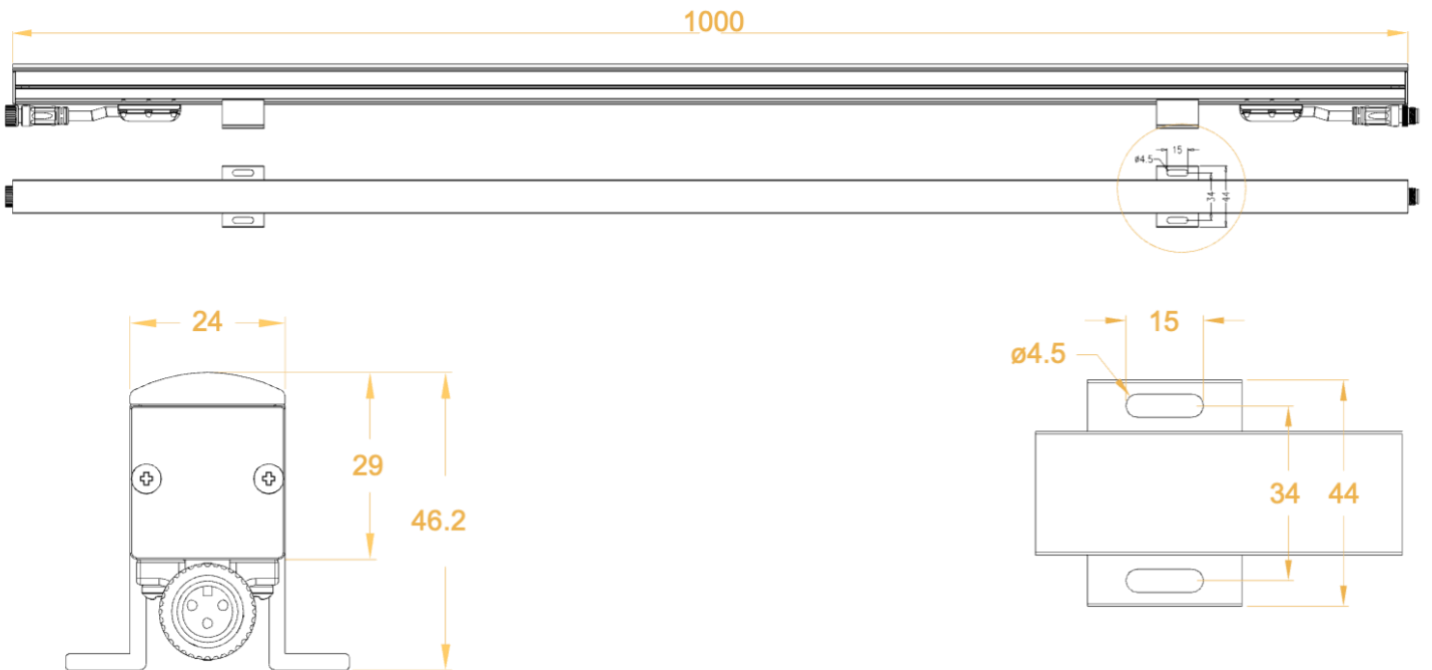
LXM | DIRECT VIEW LINEAR PIXEL BAR

MOUNTING OPTIONS

SPRING CLIP BRACKET



FOOT MOUNT BRACKET



LXM | DIRECT VIEW LINEAR PIXEL BAR

WIRING CONSIDERATIONS

TYPICAL SYSTEM WIRING DIAGRAM

