

### LXD | DIRECT VIEW LINEAR PIXEL BAR

Designed for harsh environments, the LXD delivers dynamic lighting with even illumination with 8 to 16 pixels through its PMMA opal diffuser. Built for durability, it ensures consistent performance in demanding conditions

LEDCTRL X-Stream technology enables long data and power runs, reducing controllers and power supplies compared to DMX and SPI. Data redundancy ensures continuous operation, even if a pixel fails.

Advanced temperature sensing automatically adjusts output to manage heat, preserving performance and extending fixture life.



### PART NUMBER CONFIGURATOR

Prefix	Model	Length	LED Colour	Control	Voltage	Housing Colour	Mounting
LXD	1 – pixel 8 – pixels 10 – pixels	300 – 300mm 500 – 500mm 1000 – 1000mm	RGBW(30K) RGBW(40K) RGBW(60K) RGBWA RGBA RGB DW White (24K – 60K)	D – DMX S – SPI X – X-Stream	24 – 24V DC 48 – 48V DC	A – Aluminium C – CustomRAL	CM – Clip Mount FM – Foot Mount HO – Hook-on

**EXAMPLE:** LXD10 – 1000 – RGBW – X – 48 – A – HO

### SPECIFICATIONS

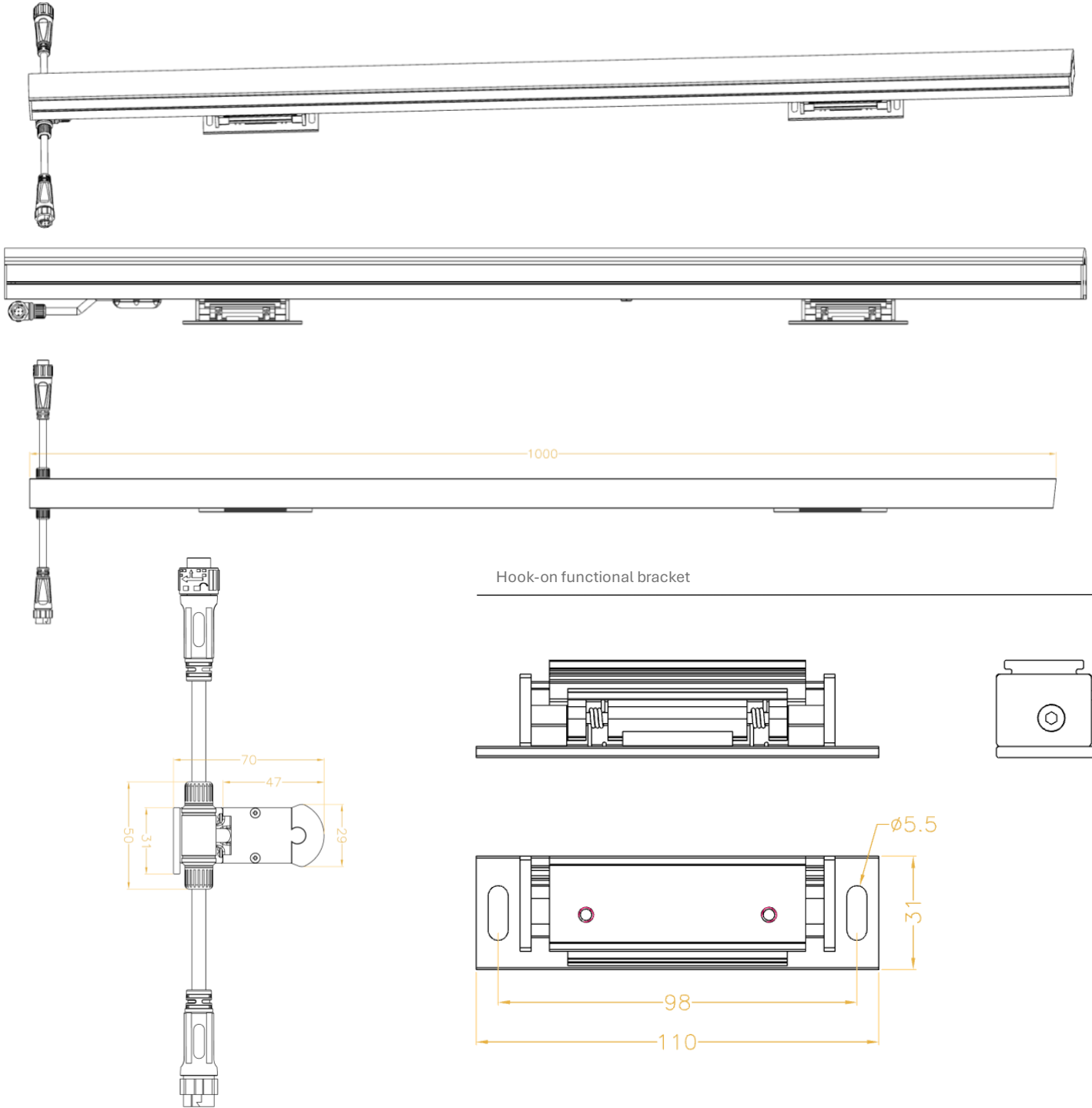
<b>Electrical</b>	<b>Power Consumption</b> <b>Operating Voltage</b> <b>Operating Temperature</b> <b>Storage Temperature</b>	14W per meter 24V DC, 48V DC -20°C TO 50°C - (-4°F TO 122°F) -20°C TO 70°C - (-4°F TO 158°F)
<b>Physical</b>	<b>Dimensions</b> <b>Aluminium Housing</b> <b>UV Stable Lens</b> <b>Diffuser</b> <b>Weight</b> <b>Connectors</b> <b>IP Rating</b> <b>IK Rating</b> <b>Mounting Options</b> <b>Source Life</b> <b>Connection</b> <b>Maximum Run Length</b>	L: 300mm to 1200mm variable depending on pixel pitch – W:24mm – H:45mm Standard (default) or Custom RAL (to be confirmed) PMMA Opal Diffuser Flat 1.26KGs / 2.77LBS (1M) Multipin IP67 push lock IP66 IK07 Clip Mount, Foot Mount, and Hook-on functional brackets 50,000 hours/L70 at 25°C 6-pin DC / SPI cable with IP connectors for daisy chain 78.8m @ 10pixels/m – 3 universes 38.4m @ 10pixels/m – 6 universes
<b>Optical</b>	<b>Beam Angle</b> <b>Colour Range</b> <b>Pixel Density</b> <b>LED Type</b>	120° (Flat) / 180° (Dome) RGBW (W=2700K or 3000K or 4000K or 6000K), RGBWA, RGBA, RGB, DW, White 1-10 pixels / metre 5050 SMD LEDs
<b>Control</b>	<b>Control Protocols</b>	<b>X-Stream:</b> SPI (UCS7604) protocol with data redundancy and integrated temperature sensor, (10 pixels control per meter, Pitch = 100mm) Others – SPI, DMX
<b>Fixture Rating &amp; Certifications</b>	<b>UL LISTED, CE</b> <b>RoHs COMPLIANT</b>	
<b>Limited Warranty</b>	<b>5 Years</b>	Extendable warranty available

## LXD | DIRECT VIEW LINEAR PIXEL BAR

### DIMENSIONS & MOUNTING

#### HOOK-ON FUNCTIONAL BRACKET

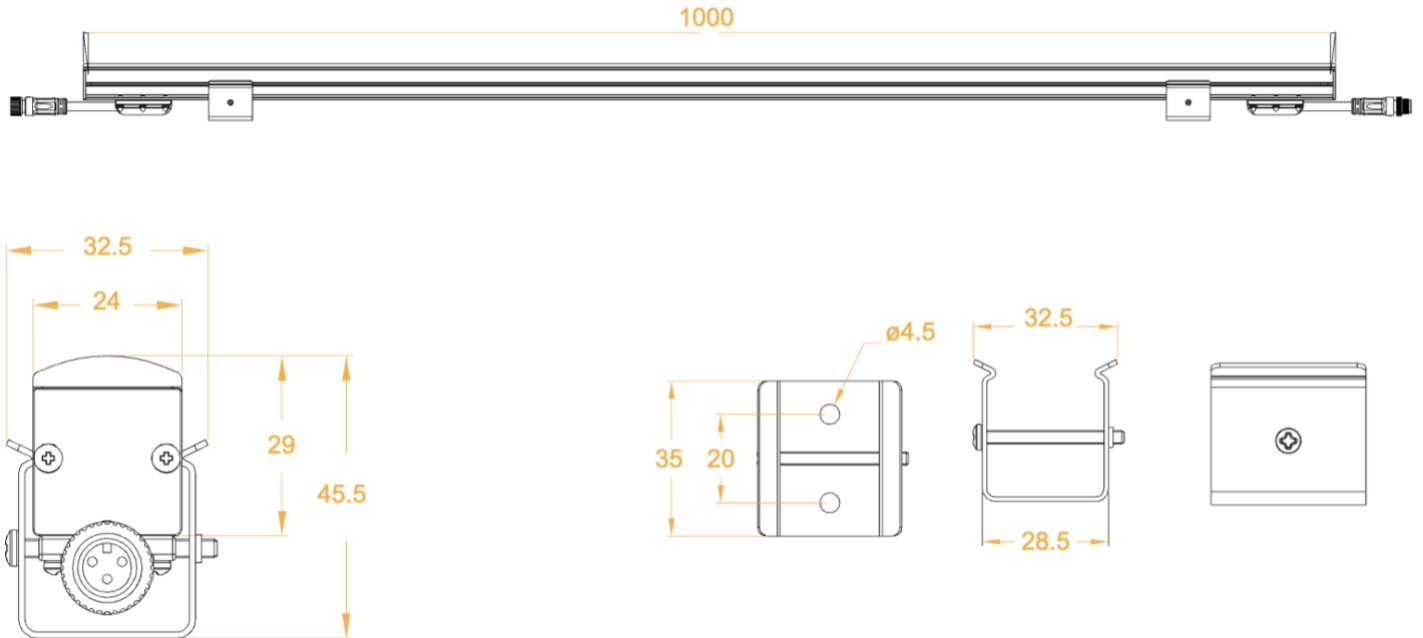
Available in lengths of 100mm increments from 300 to 1200mm



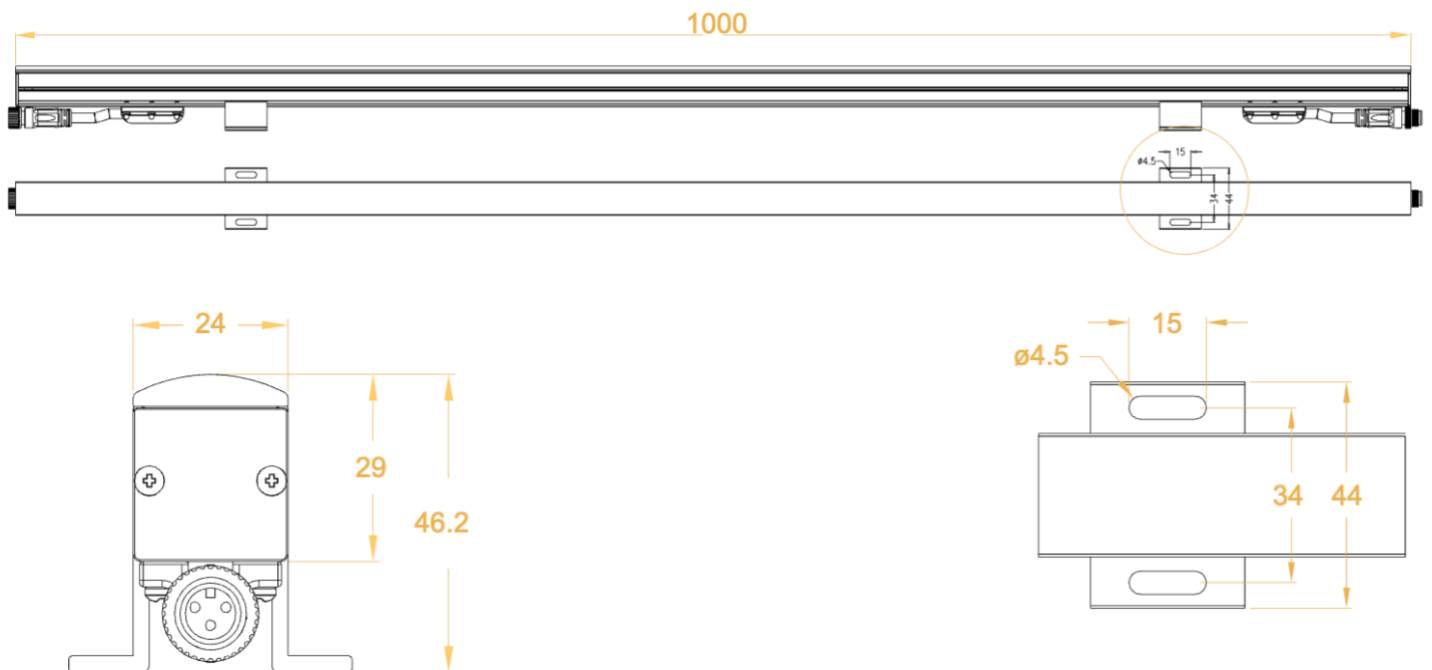
### LXD | DIRECT VIEW LINEAR PIXEL BAR

#### DIMENSIONS AND MOUNTING

##### SPRING CLIP BRACKET



##### FOOT MOUNT BRACKET



## LXD | DIRECT VIEW LINEAR PIXEL TUBE

### WIRING CONSIDERATIONS

#### TYPICAL SYSTEM WIRING DIAGRAM

