

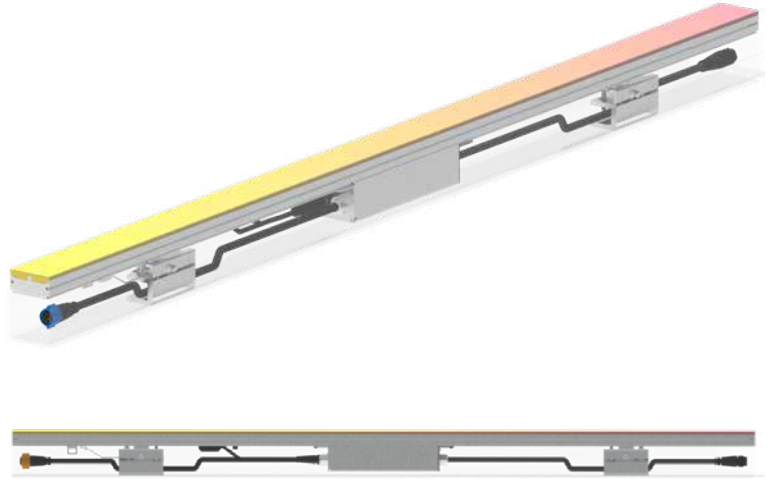
### LINEAR BAR SERIES | DIRECT VIEW LINEAR PIXEL BAR

The LXB is a modular, high-performance architectural lighting system designed to solve the challenges of lighting building facades for both retrofit and new builds.

Utilising LED CTRL's X-Stream technology, it supports runs up to 96 meters on a single power and data feed, simplifying wiring and access issues.

Installation is fast and easy using push-lock cable connectors and a quick lock mounting into the channel.

The LXB's robust design ensures reliability and long-term consistent performance.

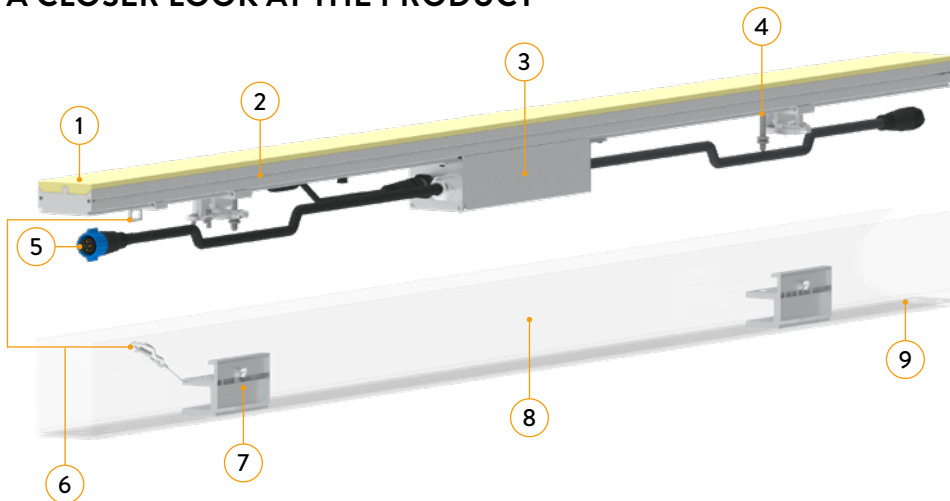


### PART NUMBER CONFIGURATOR

Prefix	Model	Length	LED Colour	White Temperature	Control	Voltage	Lens Options	Housing Colour
LXB	R - Roofline F - Facade	1500 - 1500mm C - Custom	RGBW RGBA RGB DW White	RGBW (30K) RGBW (40K) RGBW (60K) White (24K-60K)	D - DMX S - SPI X - X-Stream	AC - 100-277VAC	W - White G - Grey	A - Aluminium C - Custom RAL

**Example:** LXBR - 1500 - RGBW - 60K - X - AC - W - A

### A CLOSER LOOK AT THE PRODUCT



- 1 PMMA Diffuser
- 2 8px/m RGB(W) LED
- 3 Removable PSU/Control Unit
- 4 Locating Pin
- 5 IP66 Push Lock Connectors
- 6 Fall Arrest Backup (2 parts)
- 7 Quick Install Lock Mechanism
- 8 LXB Mounting Channel
- 9 Channel Alignment Slot

**LINEAR BAR SERIES** | DIRECT VIEW LINEAR PIXEL BAR

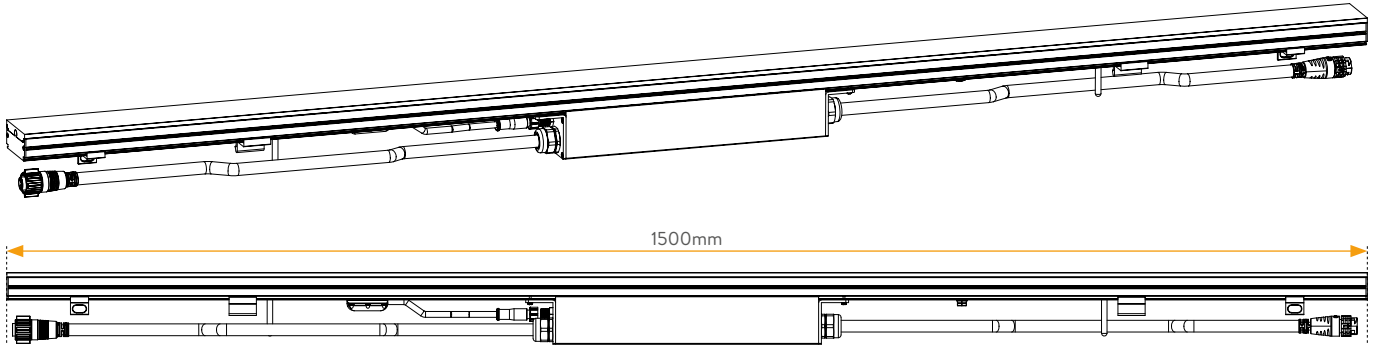
**SPECIFICATIONS**

<b>Electrical</b>	<p>Power Consumption 14W per meter (fixed, standard configuration)</p> <p>Power and Data Through-Wiring IP66 push lock connectors</p> <p>Rated Current 0.583A</p> <p>Inrush Current 0.2mA/m</p> <p>Leakage Current 0.75mA @277AC/60Hz</p> <p>Operating Voltage 100-277 AC, 50/60Hz Integral PSU</p> <p>Operating Temperature -20°C TO 50°C (-4°F TO 122°F)</p> <p>Storage Temperature</p>
<b>Physical</b>	<p>Dimensions 1500 x 45 x 93mm (L x W x H)</p> <p>Housing / Lens Aluminium + PMMA</p> <p>Weight</p> <p>Connectors Multipin IP68 Connectors, and Push-Lock</p> <p>Finish Anodised Brushed Aluminium, Custom RAL colours available</p> <p>Mounting Options LXB Channel</p> <p>Source Life 50,000 hours/L70 at 25°C</p> <p>Maximum Run Length 96m @ 8pixels/m – 6 universes 48m @ 8pixels/m – 3 universes</p> <p>Cable Length Up to 100m leader and joiner cable</p> <p>CRI 80</p> <p>LED Arrangement Double In-Line Arrangement (Standard White PMMA Diffuser) Triple In-Line Arrangement (Black PMMA Diffuser)</p> <p>Mounting Straight, Corner, Recessed with Mounting Channel Accessories</p>
<b>Optical</b>	<p>Beam Angle 120° - Direct View</p> <p>Colour Range White (2400K-6000K), RGB, RGBW, RGBA, Dynamic White (2200K-5000K)</p> <p>Accurate Colour Control RGBW configurations with selectable CCT</p> <p>LED Type SMD LED – TRI or Quad chip</p> <p>Pixel Resolution Standard 8 pixels/m</p> <p>Luminous Efficacy</p>
<b>Dimming &amp; Control</b>	<p>Control Protocols <b>X-Stream:</b> protocol with data redundancy and SPI, DMX</p> <p>Dimming Resolution 8 bit resolution doing 65536 steps with built in gamma 2.2 12-bit, 14-bit, 16-bit</p>
<b>Fixture Rating &amp; Certifications</b>	IP66 / EMC / SAA
<b>Limited Warranty</b>	5 Years Extendable warranty available

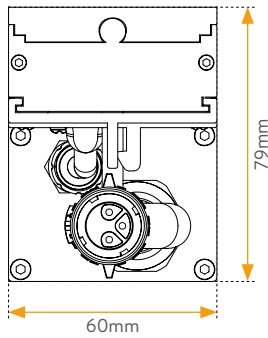
### LINEAR BAR SERIES | DIRECT VIEW LINEAR PIXEL BAR

#### DIMENSIONS

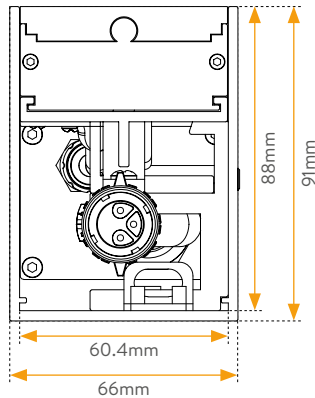
##### LXB 1.5M DIMENSIONS



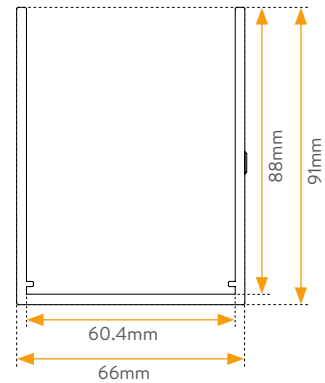
##### LXB STANDARD



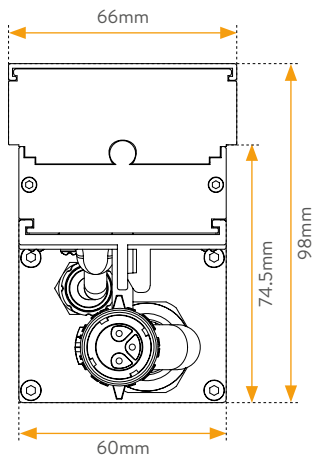
##### LXB STANDARD IN CHANNEL



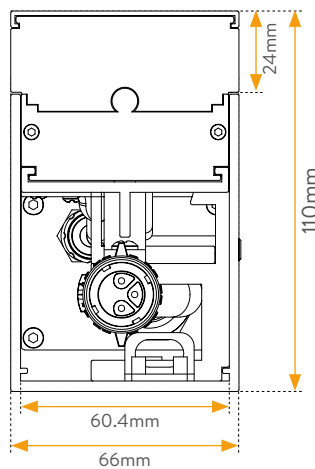
##### LXB CHANNEL



##### LXB ROOFLINE



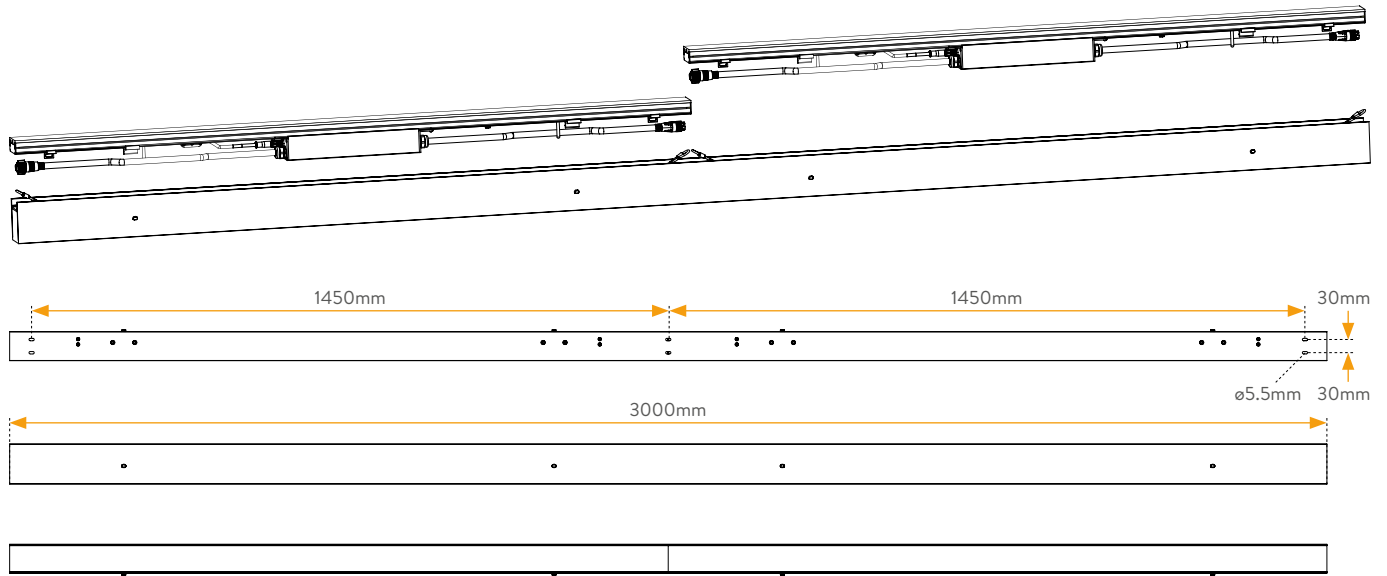
##### LXB ROOFLINE IN CHANNEL



### LINEAR BAR SERIES | DIRECT VIEW LINEAR PIXEL BAR

#### DIMENSIONS

##### LXB CHANNEL DIMENSIONS



### LINEAR BAR SERIES | DIRECT VIEW LINEAR PIXEL BAR

#### WIRING INFORMATION

##### TYPICAL WIRING DIAGRAM

