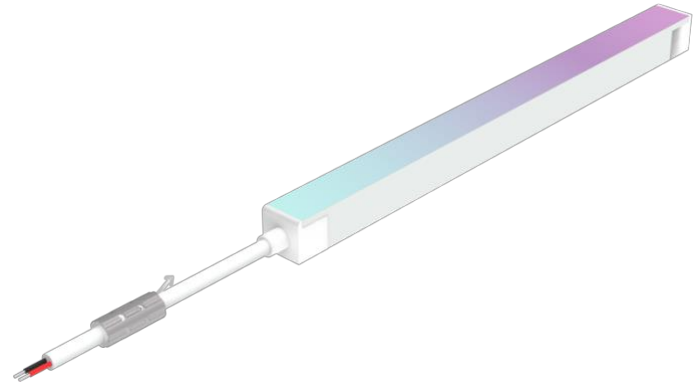


FXN 2222 | FLEXIBLE NEON

The FXN 2222 is a high-performance SPI pixel lighting solution, delivering individually addressable segments for dynamic colour effects and animations. Designed for architectural and commercial applications, it offers precise control with built-in UVC2903 or UCS2904 IC chips in both RGB and RGBW.

Constructed from durable silicone, the FXN 2222 is engineered for reliability with IP67 water resistance and IK10 impact protection.

Its UV-resistant design operates in extreme temperatures from -40°C to 45°C, making it ideal for demanding environments and complex lighting installations.



PART NUMBER CONFIGURATOR

Prefix	Model	LED Colour	Control	Bending Direction	Voltage	Power	CRI
FXN	2222	RGBW(27K) RGBW(30K) RGBW(40K) RGB White (27K-57K)	X – X-Stream SPI DMX	HB – Horizontal Bend	24 – 24V DC	12 15 16.5 18 22	80 90
EXAMPLE: FXN – 2222 – RGBW(27K) – X – HB – 24 – 12 – 90							

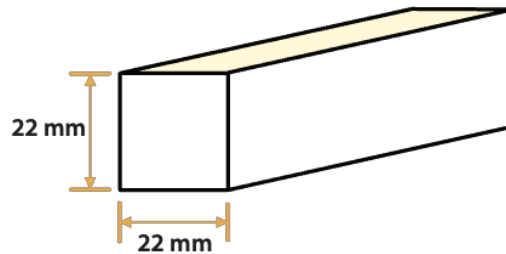
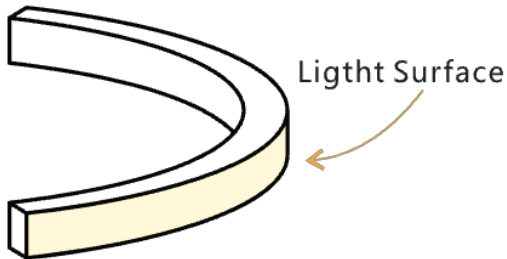
SPECIFICATIONS

Electrical	Power Consumption Operating Voltage Installation Temperature Operating Temperature Storage Temperature	16.5W per metre (fixed, standard configuration) 24V DC -40°C TO 50°C - (-40°F TO 122°F) -40°C TO 45°C - (-40°F TO 113°F) -40°C TO 60°C - (-40°F TO 140°F)
Physical	Dimensions Housing / Lens Weight/m IK Rating IP Rating Min. Cutting Unit Min. Cutting Length Unit/m (Pixel Qty/m) Connectors Mounting Options Data Maximum Run Length	L: 1000mm – H: 22mm – W: 22mm Silicone 0.55kg/m IK10 IP67 7LEDs(1unit) 83.3mm(1unit) 12 pixels Injection-moulded connector, and male and female connectors Serrated Aluminium Profile, Flange Serrated Aluminium Profile, and Bendable Serrated Aluminium Profile 64m @ 12pixels/m – 6 universes
Optical	Beam Angle Colour Range LED Qty/m LED Type LED Distance Total Lumens	120° RGBW, RGB, White 84LEDs EPISTAR SMD LED 5050 16.67mm >50lm/m
Control	Dimming Protocols	X-Stream: SPI protocol with data redundancy Others – SPI, DMX
Fixture Rating & Certifications	UL LISTED, CE RoHs COMPLIANT	
Limited Warranty	5 Years	Extendable warranty available

FXN 2222 | FLEXIBLE NEON

DIMENSIONS & MOUNTING

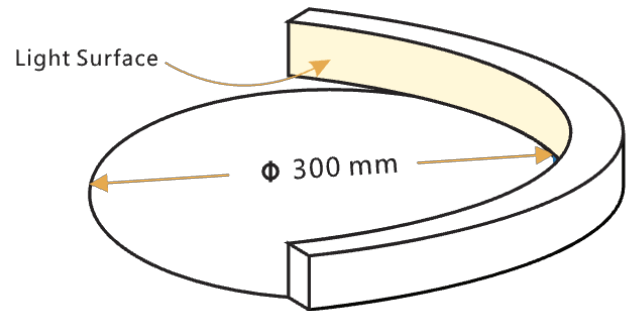
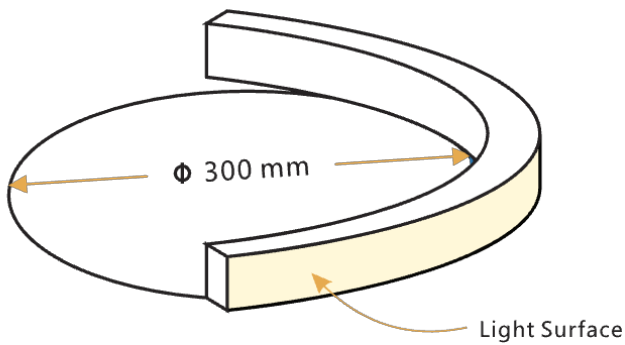
DIMENSIONS OF LIGHT



Note: Unless otherwise stated, the tolerance of the light is ± 0.3 mm.

MINIMUM BEND DIAMETER

TYPES OF CONNECTORS



The light can only be bent along the light surface. Do not bend smaller than allowed minimum bend diameter.

INJECTION-MOULDED CONNECTOR

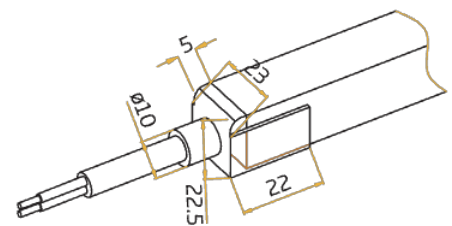
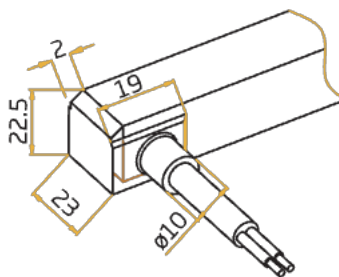
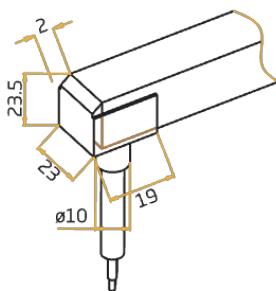
1. Unless otherwise stated, the tolerance of the connector is ± 0.5 mm;
2. Continuous length up to 8m by powering one end.

A pre-installed IP67 side feed cable connects the light to the power supply. Cable lengths are available in 0.3m, 1m, 3m, 5m, and 10m.

BOTTOM

SIDE

TOP END

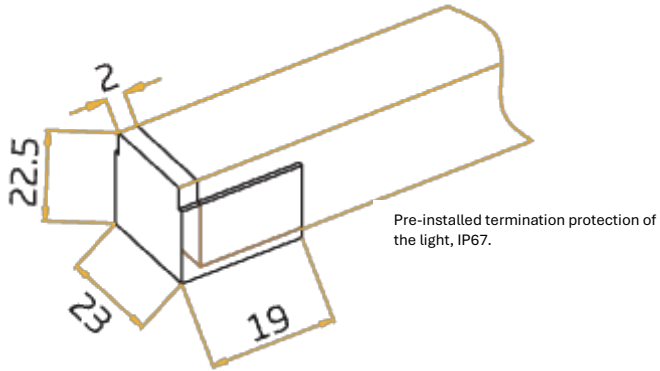


FXN 2222 | FLEXIBLE NEON

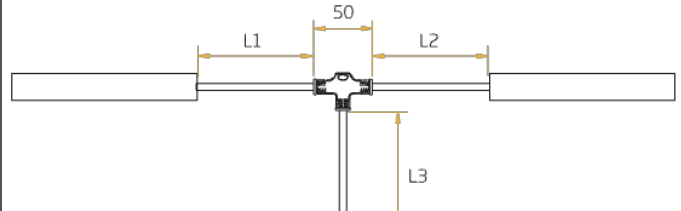
TYPES OF CONNECTORS

INJECTION-MOULDED CONNECTOR

END CAP



T-FEED

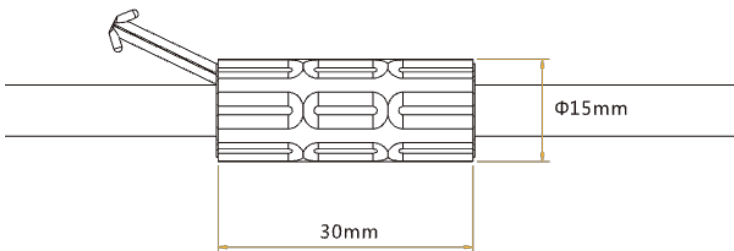


Connects two pieces of lights with a T joint, energised from the middle. IP67 Injection-moulded connector. L1 and L2 available in 0.15 ≈ 0.5m. L3 available in 0.3 ≈ 3m.

Maximum 8 T-feeds in 20m.
Maximum 4 T-feeds in 10m.

ANTI-WICKING FERRULE

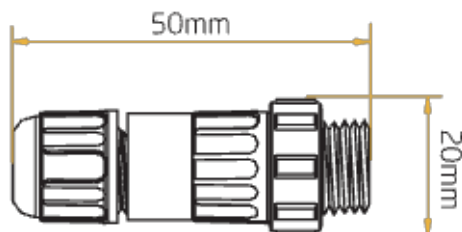
Note: Unless otherwise stated, the tolerance is ±0.5mm.



The anti-wicking ferrule is located at 115mm (±5mm tolerance) from the connector on the table

For protection against water ingress from inside the cable wire and hence damage to the light

MALE & FEMALE CONNECTOR

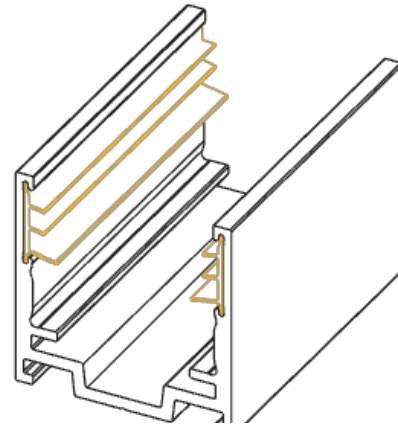
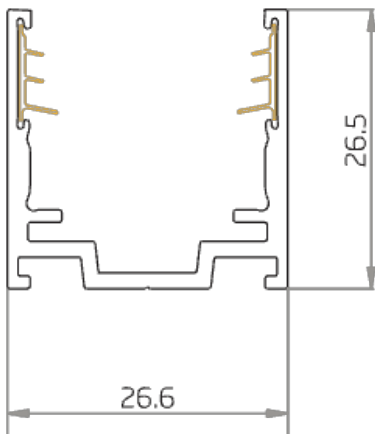


For plug-and-play cable junction, DIY or Pre-installed connector, IP68

FXN 2222 | FLEXIBLE NEON

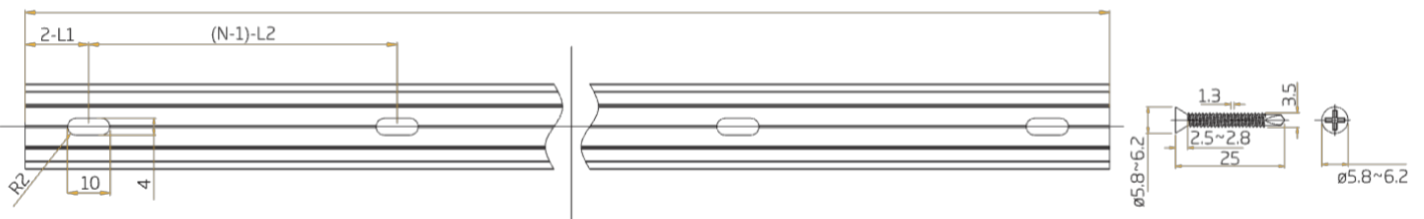
MOUNTING PROFILES

SERRATED ALUMINIUM PROFILE



Note: Unless otherwise stated, the tolerance of the profile is $\pm 0.3\text{mm}$

$L \pm 0.5$



Installation Way

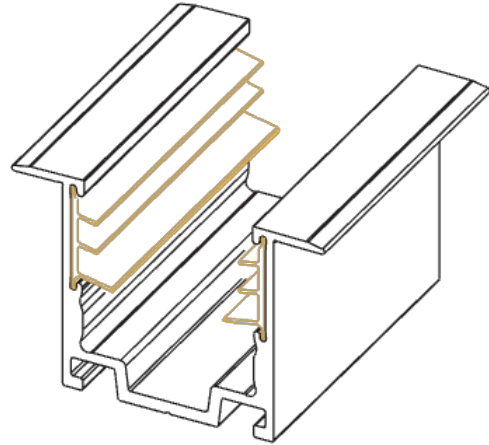
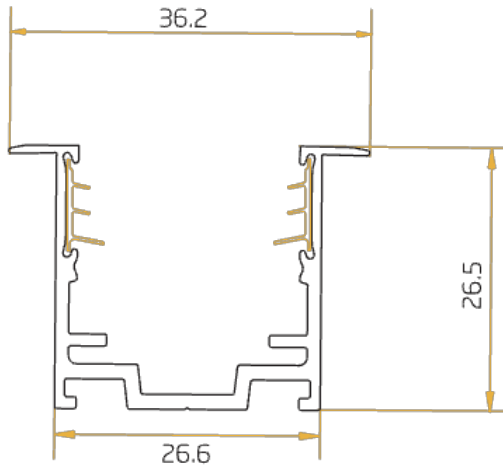


Item Code	Standard Length	L1	L2	Slotted Hole	Hole Number
F2222-SA/PL-20MM-AL	20	10	/	4*10mm/0.15*0.35In	1
F2222-SA/PL-500MM-AL	500	50	200	4*10mm/0.15*0.35In	3
F2222-SA/PL-1000MM-AL	1000	100	200	4*10mm/0.15*0.35In	5
F2222-SA/PL-2000MM-AL	2000	100	200	4*10mm/0.15*0.35In	10

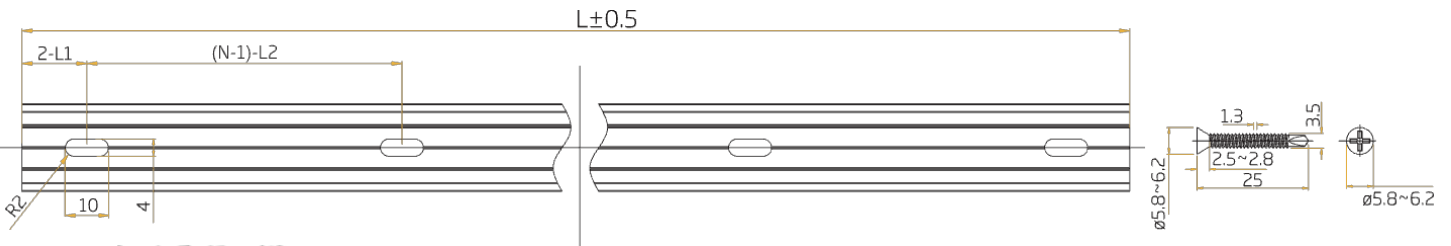
FXN 2222 | FLEXIBLE NEON

MOUNTING PROFILES

FLANGE SERRATED ALUMINIUM PROFILE



Note: Unless otherwise stated, the tolerance of the profile is $\pm 0.3\text{mm}$



Installation Way

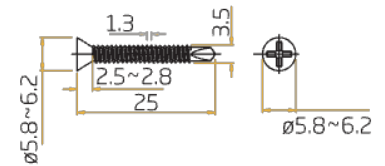
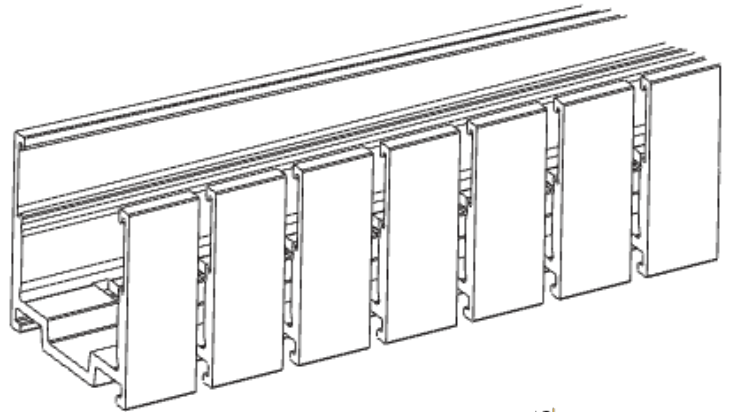
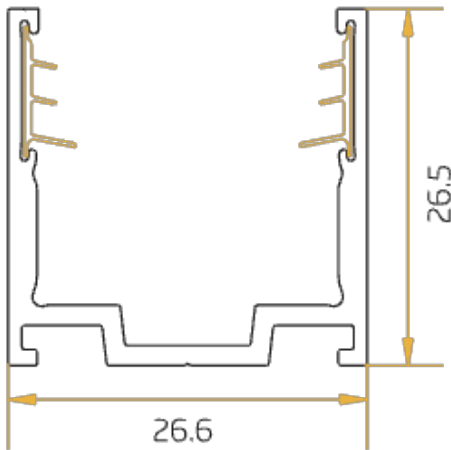


Item Code	Standard Length	L1	L2	Slotted Hole	Hole Number
F2222-FSA/PL-20MM-AL	20	10	/	4*10mm/0.16*0.39in	1
F2222-FSA/PL-500MM-AL	500	50	200	4*10mm/0.16*0.39in	3
F2222-FSA/PL-1000MM-AL	1000	100	200	4*10mm/0.16*0.39in	5
F2222-FSA/PL-2000MM-AL	2000	100	200	4*10mm/0.16*0.39in	10

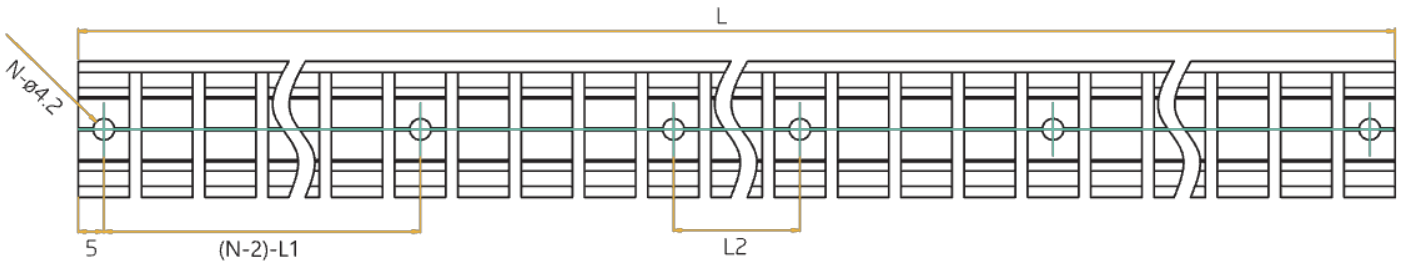
FXN 2222 | FLEXIBLE NEON

MOUNTING PROFILES

BENDABLE SERRATED ALUMINIUM PROFILE



Note: Unless otherwise stated, the tolerance of the profile is $\pm 0.3\text{mm}$



Item Code	Standard Length	L1	L2	Screw	Hole Number
F22-BSA/PL-500MM-AL	500	1000	98.8	$\phi 4.2\text{mm}/\phi 0.17\text{in}$	6
F22-BSA/PL-1000MM-AL	1000	500	48.9	$\phi 4.2\text{mm}/\phi 0.17\text{in}$	10