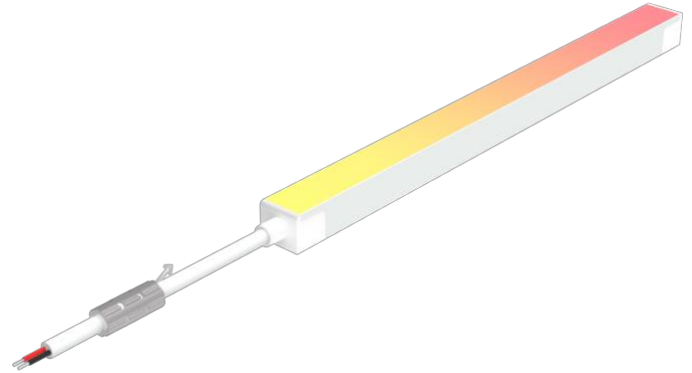


### FXN 2219 | FLEXIBLE NEON

The FXN 2219 is a high-performance SPI pixel lighting solution, delivering individually addressable segments for dynamic colour effects and animations. Designed for architectural and commercial applications, it offers precise control with built-in UCS2903 or UCS2904 IC chips.

Constructed for durable silicone, the FXN 2219 ensures long-lasting performance with IP67 water resistance and IK10 impact protection.

Its UV-resistant design withstands temperatures from -40°C to 45°C, making it ideal for harsh environments and demanding lighting installations.



### PART NUMBER CONFIGURATOR

Prefix	Model	LED Colour	Control	Bending Direction	Voltage	Power	CRI
FXN	2219	RGBW(27K) RGBW(30K) RGBW(40K) RGB White (27K-57K)	X – X-Stream SPI DMX	VB – Vertical Bend	24 – 24V DC	12 15 16.5 18 22	80
<b>EXAMPLE: FXN – 2219 – RGBW/27K) – X – VB – 24 – 15 – 80</b>							

### SPECIFICATIONS

<b>Electrical</b>	<b>Power Consumption</b> <b>Operating Voltage</b> <b>Installation Temperature</b> <b>Operating Temperature</b> <b>Storage Temperature</b>	16.5W per metre (fixed, standard configuration) 24V DC -40°C TO 50°C - (-40°F TO 122°F) -40°C TO 45°C - (-40°F TO 113°F) -40°C TO 60°C - (-40°F TO 140°F)
<b>Physical</b>	<b>Dimensions</b> <b>Housing / Lens</b> <b>Weight/m</b> <b>IK Rating</b> <b>IP Rating</b> <b>Min. Cutting Unit</b> <b>Min. Cutting Length</b> <b>Unit/m (Pixel Qty/m)</b> <b>Connectors</b> <b>Mounting Options</b> <b>Maximum Run Length</b>	L: 1000mm – H: 19mm – W: 22mm Silicone 0.55kg/m IK10 IP67 7LEDs(1unit) 83.3mm(1unit) 12 Injection-moulded connector, and male and female connectors Serrated Aluminium Profile, and Flange Serrated Aluminium Profile 64m @ 12pixels/m – 6 universes
<b>Optical</b>	<b>Beam Angle</b> <b>Colour Range</b> <b>LED Qty/m</b> <b>LED Type</b> <b>LED Distance</b> <b>Total Lumens</b>	120° RGBW, RGB, White 84LEDs EPISTAR SMD LED 5050 16.67mm >65lm/m
<b>Control</b>	<b>Dimming Protocols</b>	<b>X-Stream:</b> SPI protocol with data redundancy Others – SPI, DMX
<b>Fixture Rating &amp; Certifications</b>	<b>UL LISTED, CE</b> <b>RoHS COMPLIANT</b>	
<b>Limited Warranty</b>	<b>5 Years</b>	Extendable warranty available

### FXN 2219 | FLEXIBLE NEON

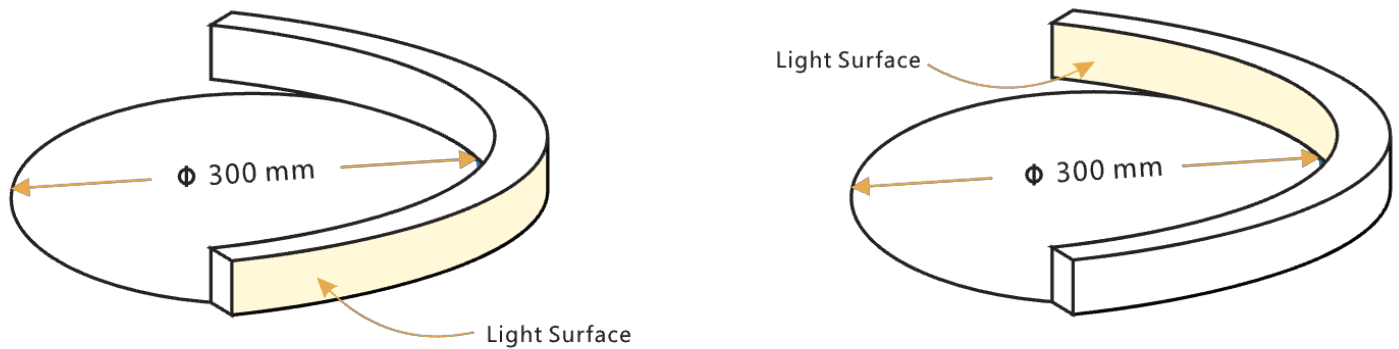
#### DIMENSIONS & MOUNTING

##### DIMENSIONS OF LIGHT



Note: Unless otherwise stated, the tolerance of the light is  $\pm 0.3$ mm.

##### MINIMUM BEND DIAMETER



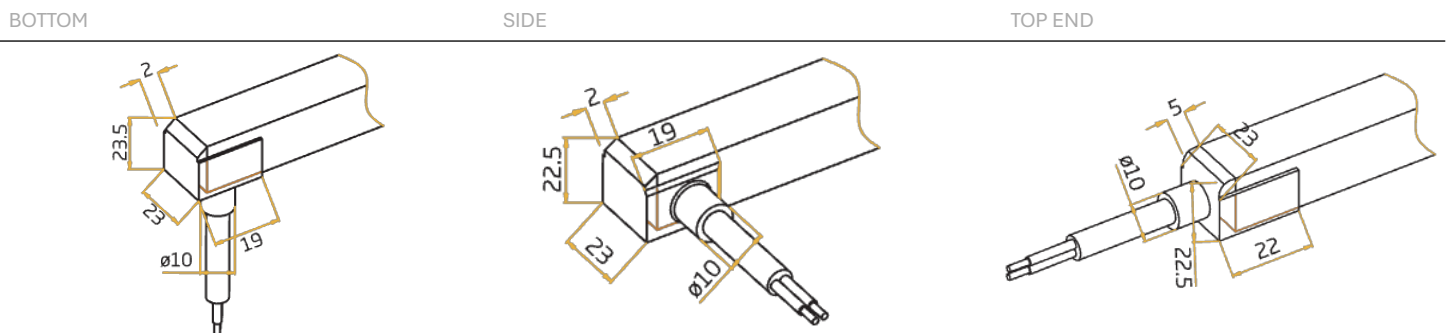
The light can only be bent along the light surface. Do not bend smaller than allowed minimum bend diameter.

#### TYPES OF CONNECTORS

##### INJECTION-MOULDED CONNECTOR

1. Unless otherwise stated, the tolerance of the connector is  $\pm 0.5$ mm;
2. Continuous length up to 8m by powering one end.

A pre-installed IP67 side feed cable connects the light to the power supply.  
Cable lengths are available in 0.3m, 1m, 3m, 5m, and 10m.

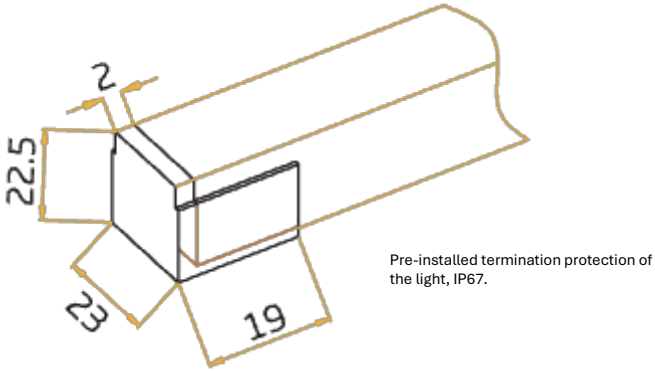


### FXN 2219 | FLEXIBLE NEON

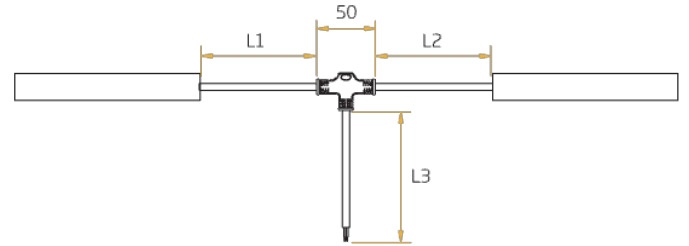
#### TYPES OF CONNECTORS

#### INJECTION-MOULDED CONNECTOR

##### END CAP



##### T-FEED

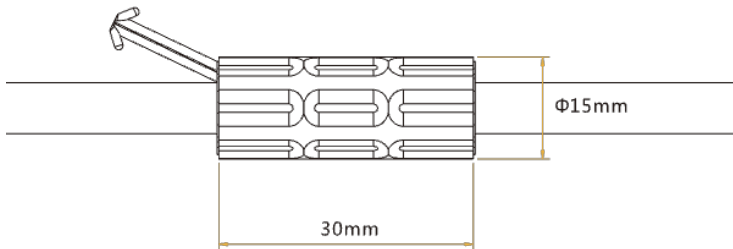


Connects two pieces of lights with a T joint, energised from the middle. IP67 Injection-moulded connector. L1 and L2 available in 0.15 ≈ 0.5m. L3 available in 0.3 ≈ 3m.

Maximum 8 T-feeds in 20m.  
Maximum 4 T-feeds in 10m.

#### ANTI-WICKING FERRULE

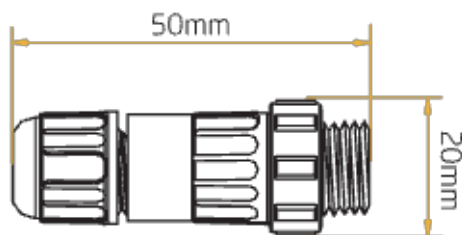
Note: Unless otherwise stated, the tolerance is ±0.5mm.



The anti-wicking ferrule is located at 115mm (±5mm tolerance) from the connector on the table

For protection against water ingress from inside the cable wire and hence damage to the light

#### MALE & FEMALE CONNECTOR

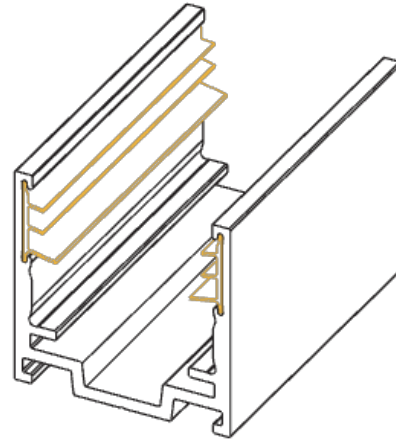
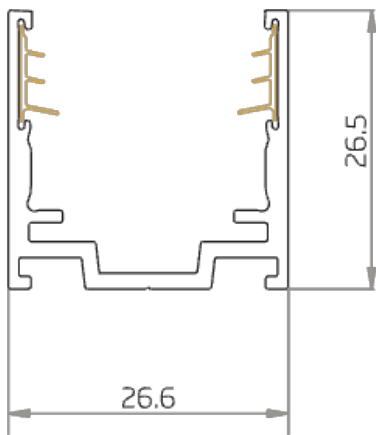


For plug-and-play cable junction, DIY or Pre-installed connector, IP68

### FXN 2219 | FLEXIBLE NEON

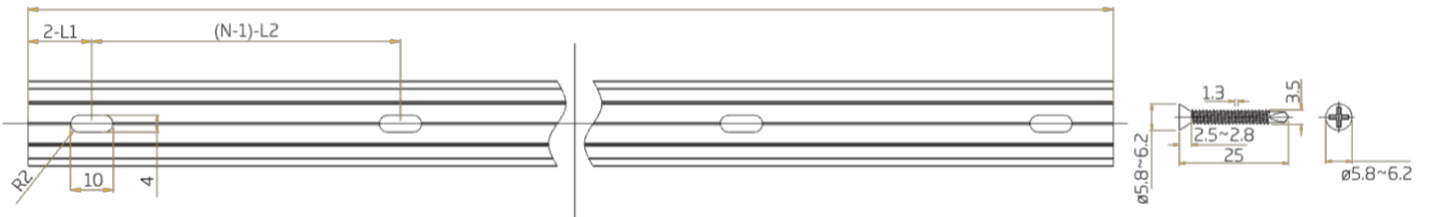
#### MOUNTING PROFILES

#### SERRATED ALUMINIUM PROFILE



Note: Unless otherwise stated, the tolerance of the profile is  $\pm 0.3\text{mm}$

$L \pm 0.5$



#### Installation Way

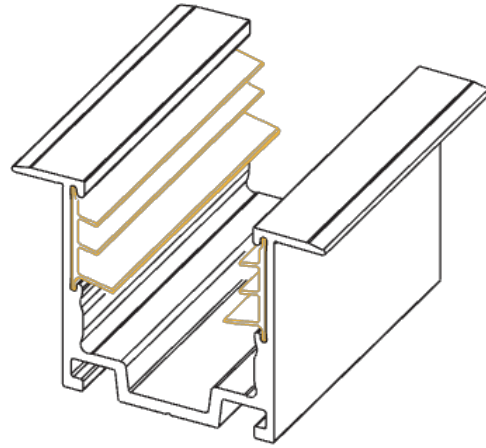
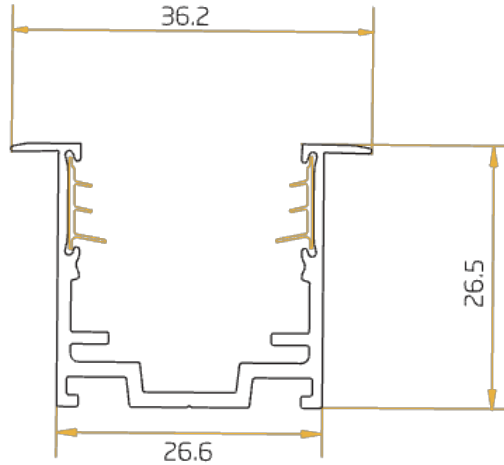


Item Code	Standard Length(mm)	L1(mm)	L2(mm)	Slotted Hole	Hole Number
F2219-SA/PL-20MM-AL	20	10	/	4*10mm/0.16*0.39in	1
F2219-SA/PL-500MM-AL	500	50	200	4*10mm/0.16*0.39in	3
F2219-SA/PL-1000MM-AL	1000	100	200	4*10mm/0.16*0.39in	5
F2219-SA/PL-2000MM-AL	2000	100	200	4*10mm/0.16*0.39in	10

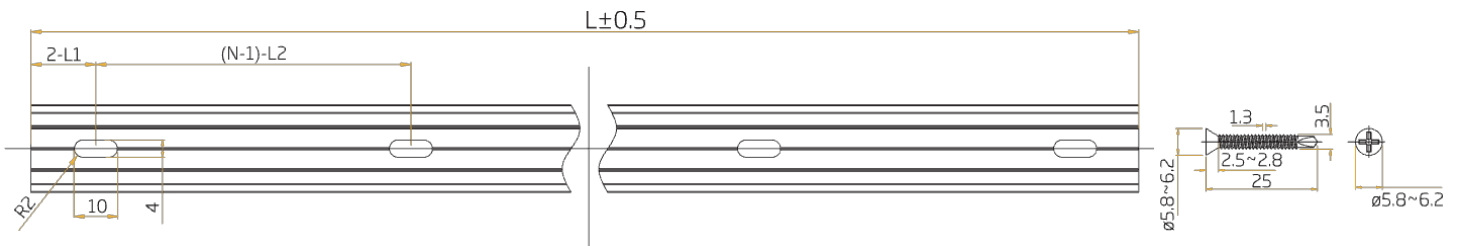
## FXN 2219 | FLEXIBLE NEON

### MOUNTING PROFILES

#### FLANGE SERRATED ALUMINIUM PROFILE



Note: Unless otherwise stated, the tolerance of the profile is  $\pm 0.3\text{mm}$



#### Installation Way



Item Code	Standard Length	L1	L2	Slotted Hole	Hole Number
F2219-FSA/PL-20MM-AL	20	10	/	4*10mm/0.16*0.39in	1
F2219-FSA/PL-500MM-AL	500	50	200	4*10mm/0.16*0.39in	3
F2219-FSA/PL-1000MM-AL	1000	100	200	4*10mm/0.16*0.39in	5
F2219-FSA/PL-2000MM-AL	2000	100	200	4*10mm/0.16*0.39in	10