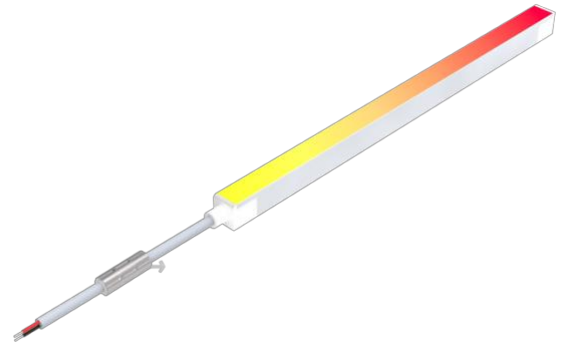


FXN 1617 | FLEXIBLE NEON

The FXN 1617 is a high-performance, flexible LED lighting solution for dynamic architectural and commercial applications. Its compact profile and RGBW output make it ideal for highlighting structure, space, and form.

Built with durable silicone and engineered to bend around complex surfaces, it offers customisable lengths and mounting flexibility for seamless integration into lighting designs.

With IP67 protection and IK08 impact resistance, the FXN 1617 suits indoor and outdoor environments demanding long-lasting performance.



PART NUMBER CONFIGURATOR

Prefix	Model	LED Colour	Control	Bending Direction	Voltage	Power	CRI
FXN	1617	RGBW(27K) RGBW(30K) RGBW(40K) RGBW R+G+B RGB R G B A White (27K-57K)	X – X-Stream SPI DMX	VB – Vertical Bend HB – Horizontal Bend	24 – 24V DC	6 8 9 10 12 15 16.5 22	80 90 95

EXAMPLE: FXN – 1617 – RGBW – X – HB – 24 – 6 – 90

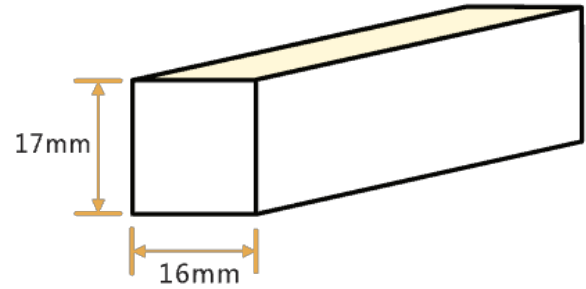
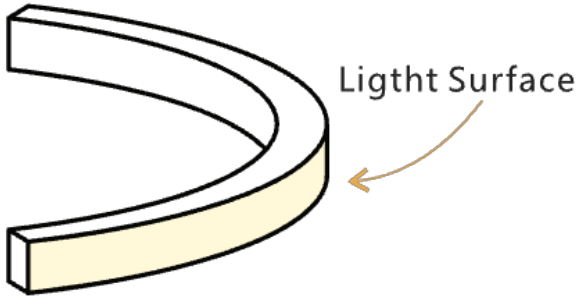
SPECIFICATIONS

Electrical	Power Consumption Operating Voltage Installation Temperature Operating Temperature Storage Temperature	15W per metre (fixed, standard configuration) 24V DC -40°C TO 50°C - (-40°F TO 122°F) -40°C TO 55°C - (-40°F TO 131°F) -40°C TO 60°C - (-40°F TO 140°F)
Physical	Dimensions Housing / Lens Weight/m IK Rating IP Rating Min. Cutting Unit Min. Cutting Length Unit/m (Pixel Qty/m) Connectors Mounting Options Maximum Run Length	L: 1000mm – H: 17mm – W: 16mm Silicone 0.365kg/m IK10 IP67 7LEDs(1unit) 83.3mm(1unit) 12 Injection-moulded connector, and male and female connectors Plastic Profile, Spring Clip Aluminium Profile, Hybrid Profile, Bendable Stainless Steel Profile, Recessed Mounting Profile 64m @ 12pixels/m – 6 universes
Optical	Beam Angle Colour Range LED Qty/m LED Type LED Distance Total Lumens	120° RGBW, RGB, White, R, G, B, A, R+G+B 84LEDs SMD LED 16.67mm >90lm/m
Control	Dimming Protocols	X-Stream: SPI protocol with data redundancy Others – SPI, DMX
Fixture Rating & Certifications	UL LISTED, CE RoHS COMPLIANT	
Limited Warranty	5 Years	Extendable warranty available

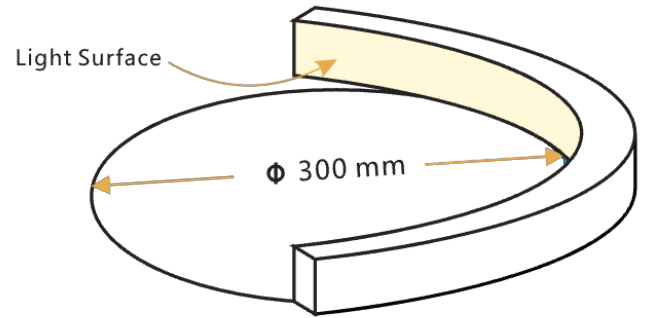
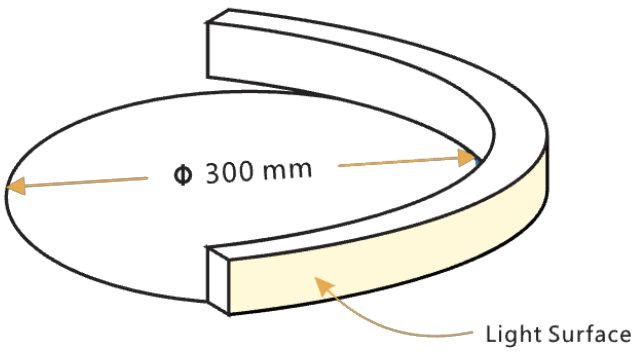
FXN 1617 | FLEXIBLE NEON

DIMENSIONS & MOUNTING

DIMENSIONS OF LIGHT



MINIMUM BEND DIAMETER



The light can only be bent along the light surface. Do not bend smaller than allowed minimum bend diameter.

TYPES OF CONNECTORS

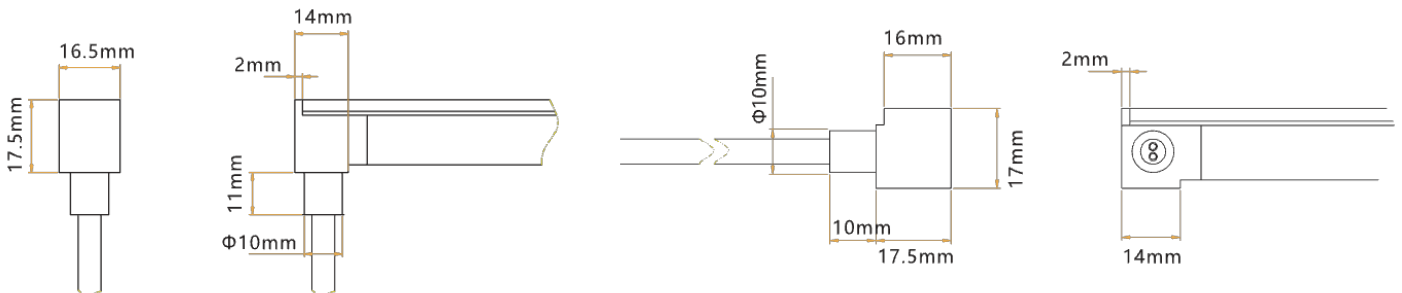
INJECTION-MOULDED CONNECTOR

1. Unless otherwise stated, the tolerance of the connector is $\pm 0.5\text{mm}$;
2. Continuous length up to 8m by powering one end.

A pre-installed IP67 side feed cable connects the light to the power supply.
Cable lengths are available in 0.3m, 1m, 3m, 5m, and 10m.

BOTTOM

SIDE

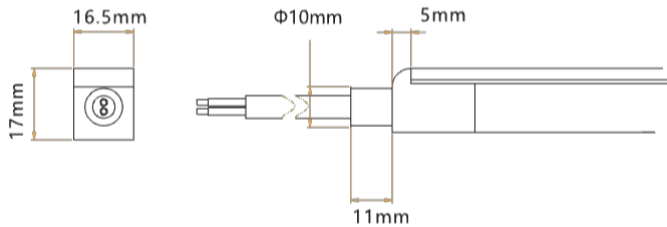


FXN 1617 | FLEXIBLE NEON

TYPES OF CONNECTORS

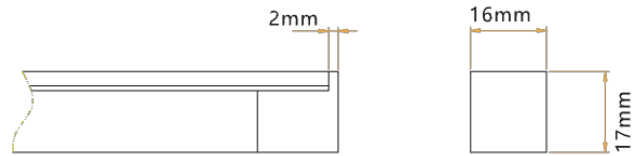
INJECTION-MOULDED CONNECTOR

END



A pre-installed IP67 side feed cable connects the light to the power supply. Cable lengths are available in 0.3m, 1m, 3m, 5m, and 10m.

END CAP



Pre-installed termination protection of the light, IP67

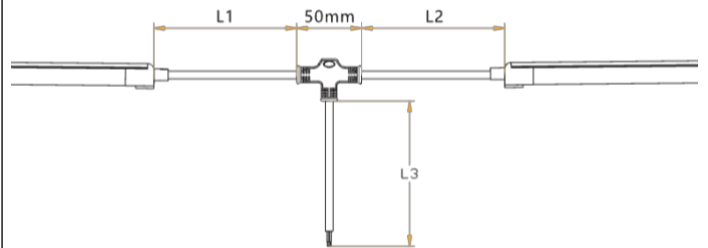
JUMPER



This flexible cable connects two pieces of light. It has an injection-moulded IP67 connector. L is available in 0.3 ≈ 1m.

Maximum 8 Jumpers in 20m.
Maximum 4 Jumpers in 10m.

T-FEED

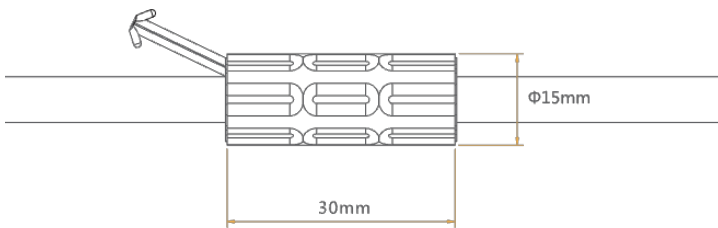


Connects two pieces of lights with a T-joint, energized from middle. IP67 Injection-moulded connector. L1 and L2 available in 0.15 ≈ 0.5m. L3 available in 0.3 ≈ 3m.

Maximum 8 T-feeds in 20m.
Maximum 4 T-feeds in 10m.

ANTI-WICKING FERRULE

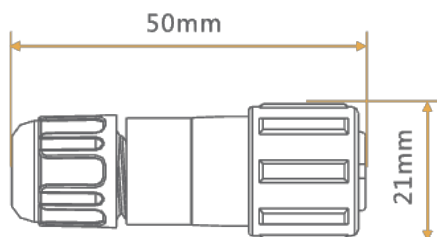
Note: Unless otherwise stated, the tolerance is ±0.5mm.



The anti-wicking ferrule is located at 115mm (±5mm tolerance) from the connector on the table

For protection against water ingress from inside the cable wire and hence damage to the light

MALE & FEMALE CONNECTOR

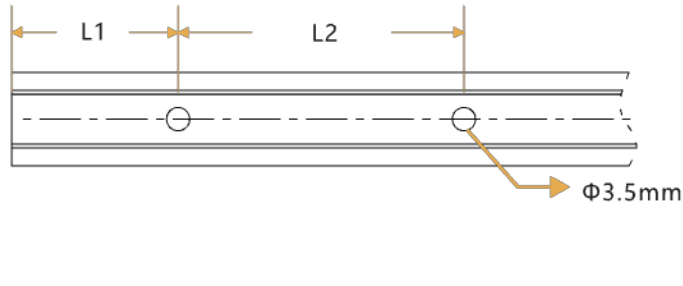
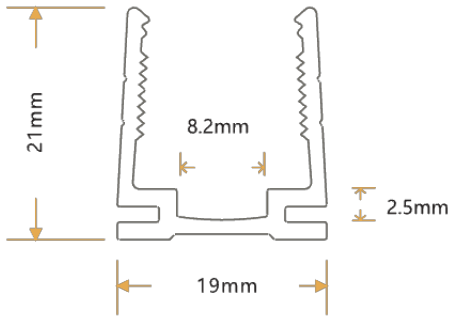


For plug-and-play cable junction, DIY or Pre-installed connector, IP68

FXN 1617 | FLEXIBLE NEON

MOUNTING PROFILES

PLASTIC PROFILE



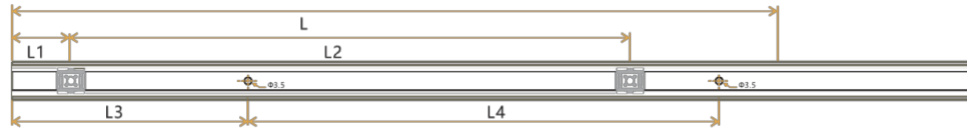
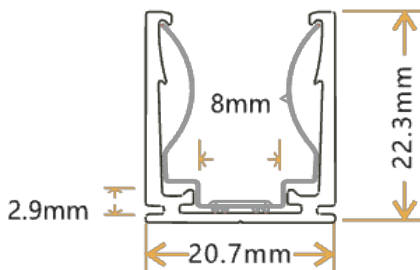
Installation Way



Note: Unless otherwise stated, the tolerance of the profile is $\pm 0.5\text{mm}$

Model	W*H(mm)	Standard Length (mm)	L1 (mm)	L2 (mm)	Screw Hole (mm)	Hole Number	For Product
F22-PC/PL	19*21	500	50	200	Φ3.5	3	F22
		1000	100	200	Φ3.5	5	F22
		2000	100	200	Φ3.5	10	F22

SPRING CLIP ALUMINIUM PROFILE



Installation Way



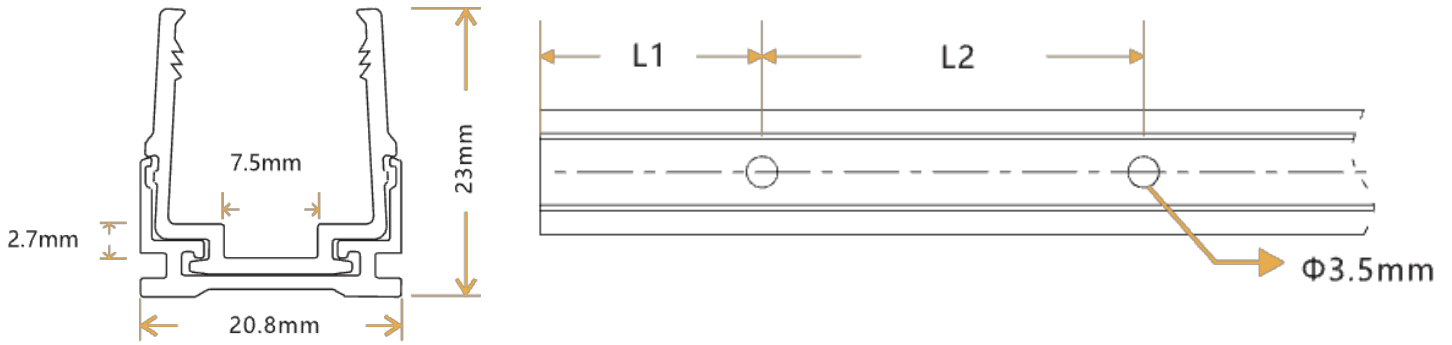
Note: Unless otherwise stated, the tolerance of the profile is $\pm 0.5\text{mm}$

Model	W*H(mm)	Standard Length(mm)	L1(mm)	L2(mm)	L3(mm)	L4(mm)	Hole Screw(mm)	Hole Number	Clip Number
F22-SCA/PL	20.7*22.3	35	17.5	/	5	25	Φ3.5	2	1
		500	25	150	50	200	Φ3.5	3	4
		1000	25	190	100	200	Φ3.5	5	6
		2000	25	195	100	200	Φ3.5	10	11

FXN 1617 | FLEXIBLE NEON

MOUNTING PROFILES

HYBRID PROFILE



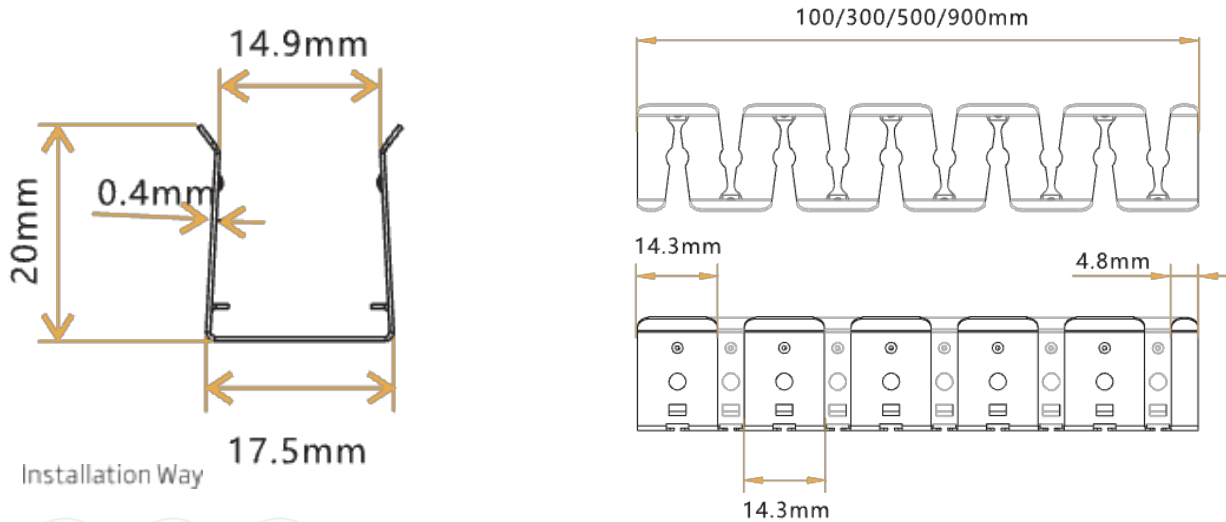
Installation Way



Note: Unless otherwise stated, the tolerance of the profile is $\pm 0.5\text{mm}$

Model	W*H(mm)	Standard Length (mm)	L1 (mm)	L2 (mm)	Screw Hole (mm)	Hole Number	For Product
F22-PA/PL	20.8*23	35	17.5	/	Φ3.5	1	F22
		500	50	200	Φ3.5	3	F22
		1000	100	200	Φ3.5	5	F22
		2000	100	200	Φ3.5	10	F22

BENDABLE STAINLESS STEEL PROFILE



Installation Way

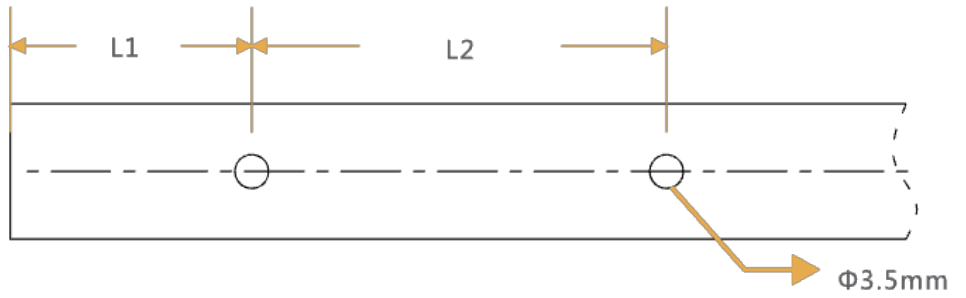
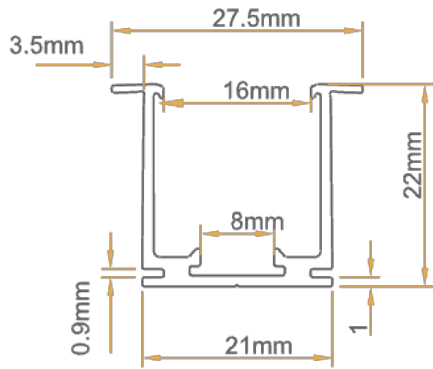


Note: Unless otherwise stated, the tolerance of the profile is $\pm 0.5\text{mm}$

FXN 1617 | FLEXIBLE NEON

MOUNTING PROFILES

RECESSED MOUNTING PROFILE



Note: Unless otherwise stated, the tolerance of the profile is $\pm 0.5\text{mm}$

Installation Way



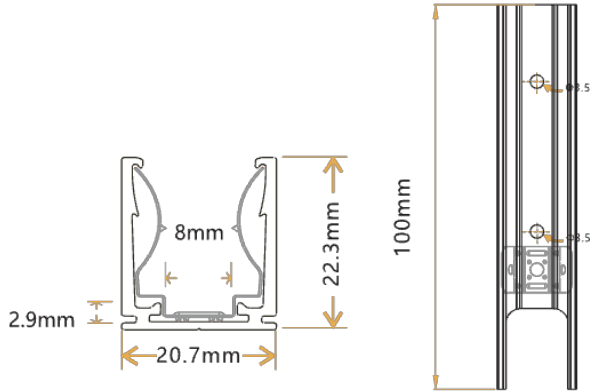
Model	W*H(mm)	Standard Length (mm)	L1 (mm)	L2 (mm)	Screw Hole (mm)	Hole Number	For Product
F22-RMA/PL	18*13.2	35	5	25	$\Phi 3.5$	2	F22
		500	50	200	$\Phi 3.5$	3	F22
		1000	100	200	$\Phi 3.5$	5	F22
		2000	100	200	$\Phi 3.5$	10	F22

FXN 1617 | FLEXIBLE NEON

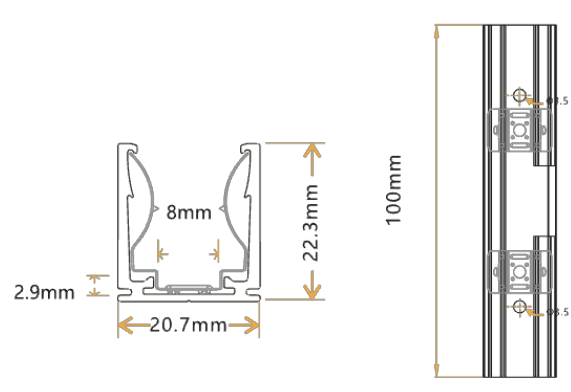
MOUNTING PROFILES

CABLE EXIT ORIENTED ALUMINIUM PROFILE

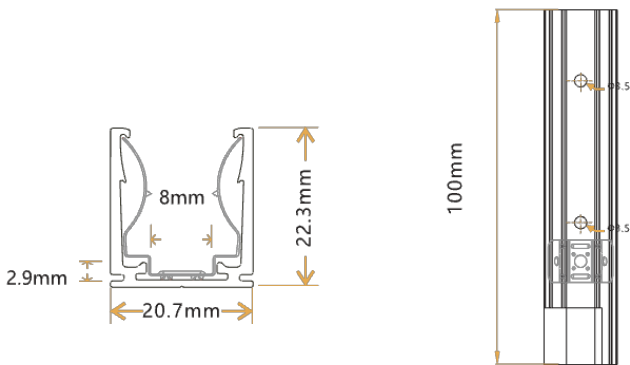
SPRING CLIP ALUMINIUM PROFILE – BOTTOM FEED



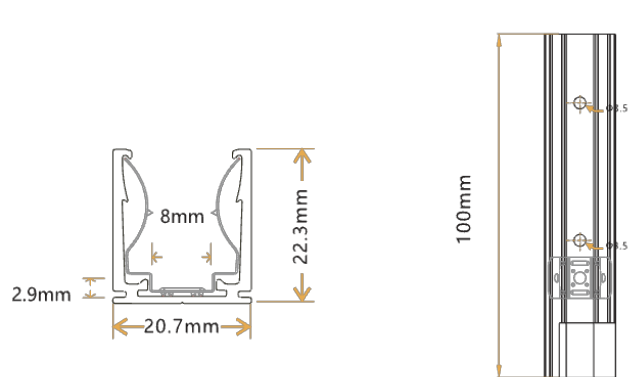
SPRING CLIP ALUMINIUM PROFILE – MIDDLE FEED



SPRING CLIP ALUMINIUM PROFILE – SIDE FEED FROM LEFT

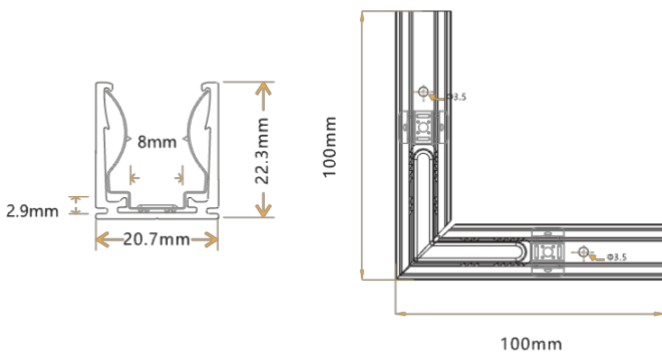


SPRING CLIP ALUMINIUM PROFILE – SIDE FEED FROM RIGHT

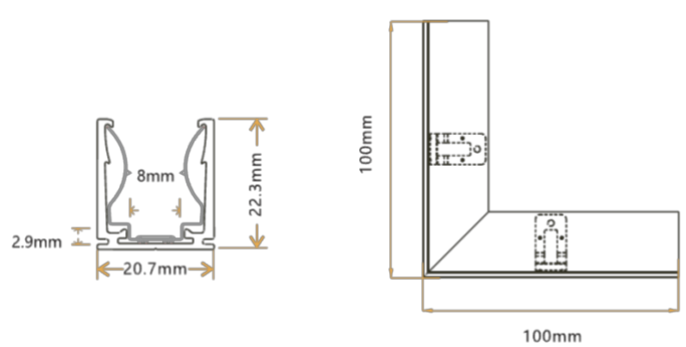


CORNER ALUMINIUM PROFILE

L – SHAPE SPRING CLIP ALUMINIUM PROFILE



INWARD L – SHAPE SPRING CLIP ALUMINIUM PROFILE

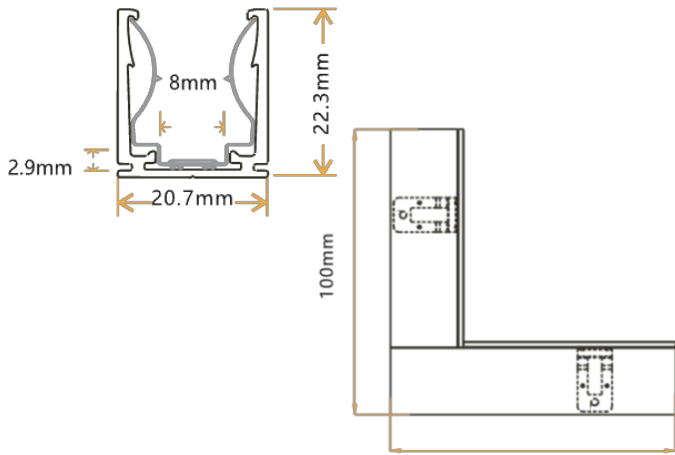


FXN 1617 | FLEXIBLE NEON

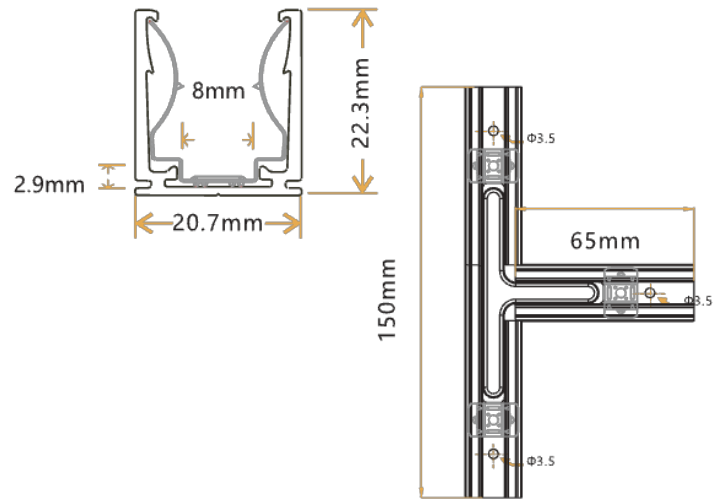
MOUNTING PROFILES

CORNER ALUMINIUM PROFILE

OUTWARD L – SHAPE SPRING CLIP ALUMINIUM PROFILE



T – SHAPE SPRING CLIP ALUMINIUM PROFILE



X – SHAPE SPRING CLIP ALUMINIUM PROFILE

