

### FXN 156 | FLEXIBLE NEON

The FXN 156 is a high-performance flexible LED lighting solution for architectural and commercial applications. With vibrant RGBW output and a durable, bendable design, it seamlessly integrates into dynamic lighting projects.

Made from high-quality silicone, the FXN 156 is engineered for reliability with IP67 water resistance.

Easy to install and built to last, it delivers smooth, uniform illumination for bold and versatile lighting designs.



### PART NUMBER CONFIGURATOR

Prefix	Model	LED Colour	Control	Bending Direction	Voltage	Power	CRI
FXN	156	RGBW(27K) RGBW(30K) RGBW(40K) RGBW(65K) RGB RGBA White (27K-57K)	X – X-Stream SPI DMX	VB – Vertical Bend HB – Horizontal Bend	24 – 24V DC	6 8 10 12 15	80 90 95

**EXAMPLE:** FXN – 156 – RGBW(27K) – X – VB – 24 – 6 – 80

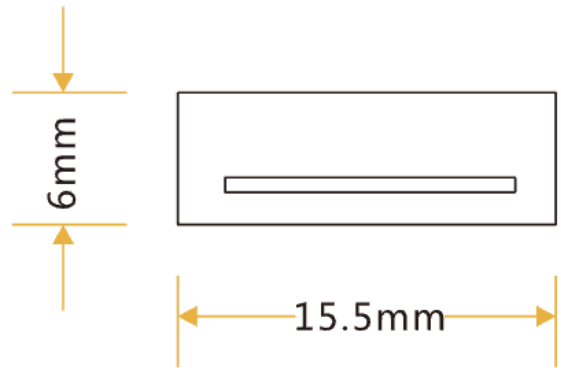
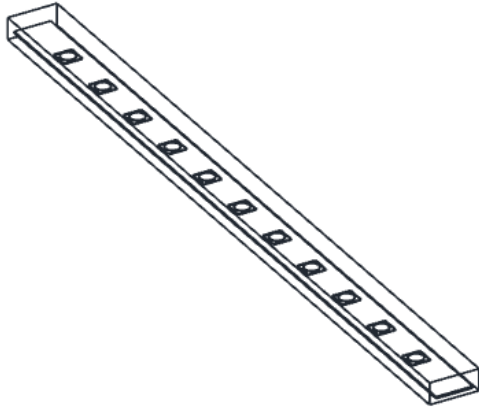
### SPECIFICATIONS

<b>Electrical</b>	<b>Power Consumption</b> <b>Operating Voltage</b> <b>Installation Temperature</b> <b>Operating Temperature</b> <b>Storage Temperature</b>	15W per metre (fixed, standard configuration) 24V DC -40°C TO 50°C - (-40°F TO 122°F) -40°C TO 55°C - (-40°F TO 131°F) -40°C TO 60°C - (-40°F TO 140°F)
<b>Physical</b>	<b>Dimensions</b> <b>Housing / Lens</b> <b>Weight/m</b> <b>IP Rating</b> <b>Min. Cutting Unit</b> <b>Min. Cutting Length</b> <b>Unit/m (Pixel Qty/m)</b> <b>Connectors</b>  <b>Mounting Options &amp; Clip</b> <b>Data Maximum Run Length</b>	L: 1000mm – H: 6mm – W: 15.5mm Silicone 129g IP67 6LEDs(1unit) 100mm(1unit) 8 pixels Injection-moulded connector, Dual injection-moulded connector, and male and female connectors Standard Aluminium, Hybrid, Plastic Profile, and PC Clip 48m @ 8pixels/m – 6 universes
<b>Optical</b>	<b>Beam Angle</b> <b>Colour Range</b> <b>LED Qty/m</b> <b>LED Type</b> <b>LED Distance</b> <b>Total Lumens</b>	120° RGBW, RGB, RGBA White 60LEDs EPISTAR SMD LED 16.67mm >280lm/m
<b>Control</b>	<b>Dimming Protocols</b>	<b>X-Stream:</b> SPI protocol with data redundancy Others – SPI, DMX
<b>Fixture Rating &amp; Certifications</b>	<b>UL LISTED, CE</b> <b>RoHs COMPLIANT</b>	
<b>Limited Warranty</b>	<b>5 Years</b>	Extendable warranty available

## FXN 156 | FLEXIBLE NEON

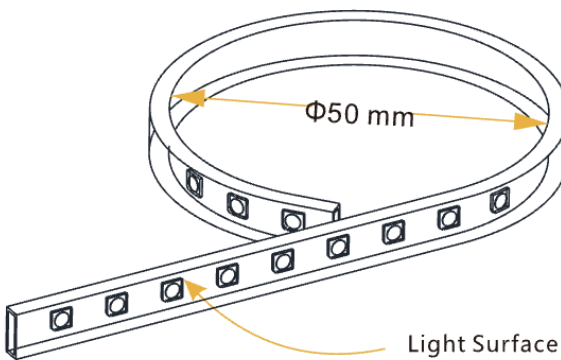
### DIMENSIONS & MOUNTING

#### DIMENSIONS OF LIGHT

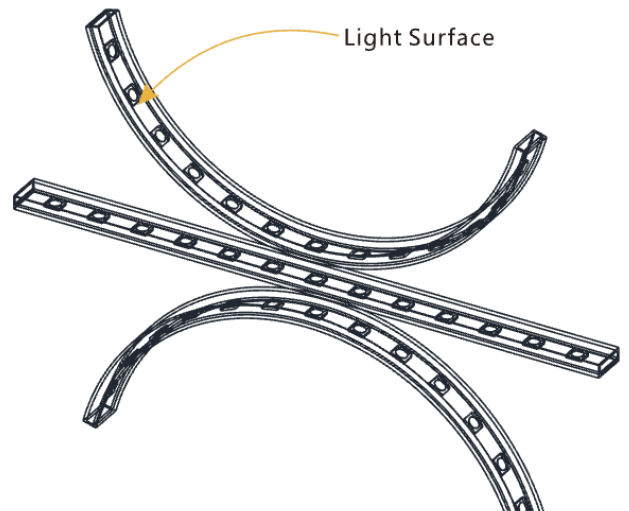


Note: Unless otherwise stated, the tolerance of the light is  $\pm 0.2\text{mm}$ .

#### MINIMUM BEND DIAMETER



The light can only be bent along the light surface.



Do not bend smaller than allowed minimum bend diameter.

### TYPES OF CONNECTORS

#### INJECTION-MOULDED CONNECTOR

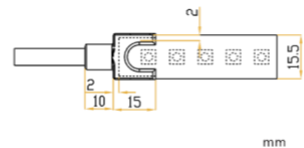
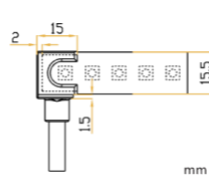
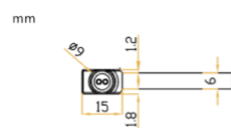
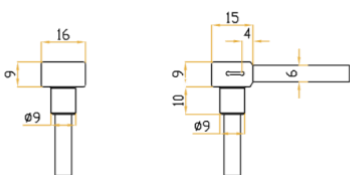
Connects light to power supply with pre-installed front feed, IP67. Cable length available in 0.3m, 1m, 3m, 5m, 10m.

1. Unless otherwise stated, the tolerance of the connector is  $\pm 0.5\text{mm}$ ;
2. Continuous length up to 8m by powering one end.

BOTTOM

SIDE


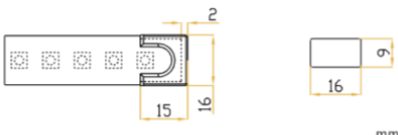
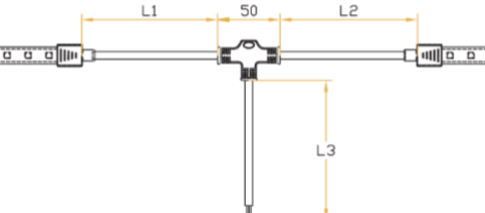
TOP END



### FXN 156 | FLEXIBLE NEON

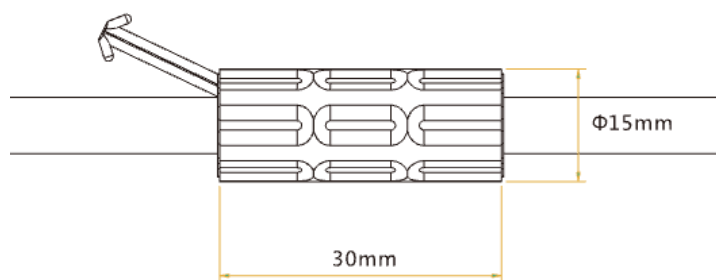
#### TYPES OF CONNECTORS

##### INJECTION-MOULDED CONNECTOR

JUMPER	END CAP	T-FEED
<p>Connects two pieces of lights with a flexible cable. IP65 Injection-moulded connector. L available in 0.3 ≈ 1m.</p> <p>Maximum 8 Jumpers in 20m. Maximum 4 Jumpers in 10m.</p> 	<p>Pre-installed termination protection of the light, IP67.</p> 	<p>Connects two pieces of lights with a T joint, energized from the middle. IP67 Injection-moulded connector. L1 and L2 available in 0.15 ≈ 0.5m. L3 available in 0.3 ≈ 3m.</p> <p>Maximum 8 T-feeds in 20m. Maximum 4 T-feeds in 10m.</p> 

##### ANTI-WICKING FERRULE

Note: Unless otherwise stated, the tolerance is ±0.5mm.

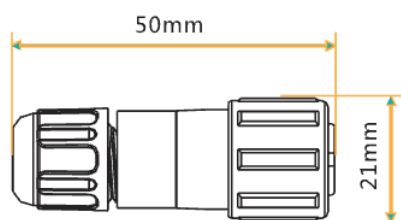


The anti-wicking ferrule is located at 115mm (+5mm tolerance) from the connector on the table

For protection against water ingress from inside the cable wire and hence damage to the light

##### MALE & FEMALE CONNECTOR

Note: Unless otherwise stated, the tolerance is ±2mm.

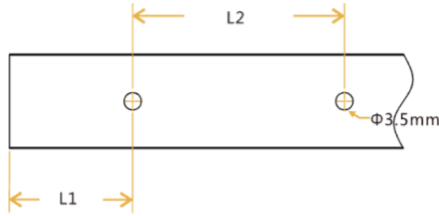
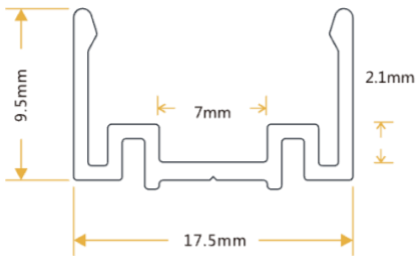


For plug and play cable junction, DIY or Pre-installed connector, IP68

### FXN 156 | FLEXIBLE NEON

#### MOUNTING PROFILES

##### STANDARD ALUMINIUM PROFILE



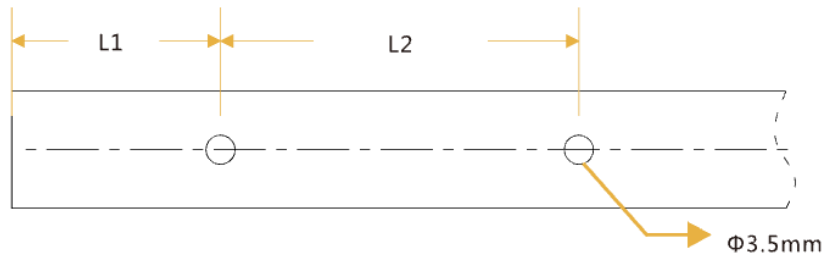
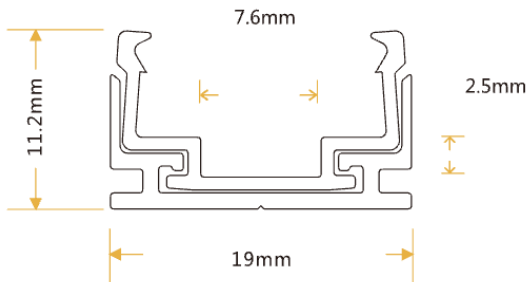
#### Installation Way



Note: Unless otherwise stated, the tolerance of the profile is  $\pm 0.5\text{mm}$

Model	W*H(mm)	Standard Length (mm)	L1 (mm)	L2 (mm)	Screw Hole (mm)	Hole Number	For Product
F16-A/PL	17.5*9.5	35	17.5	/	Ø3.5	1	F16
		500	50	200	Ø3.5	3	F16
		1000	100	200	Ø3.5	5	F16
		2000	100	200	Ø3.5	10	F16

##### HYBRID PROFILE



#### Installation Way



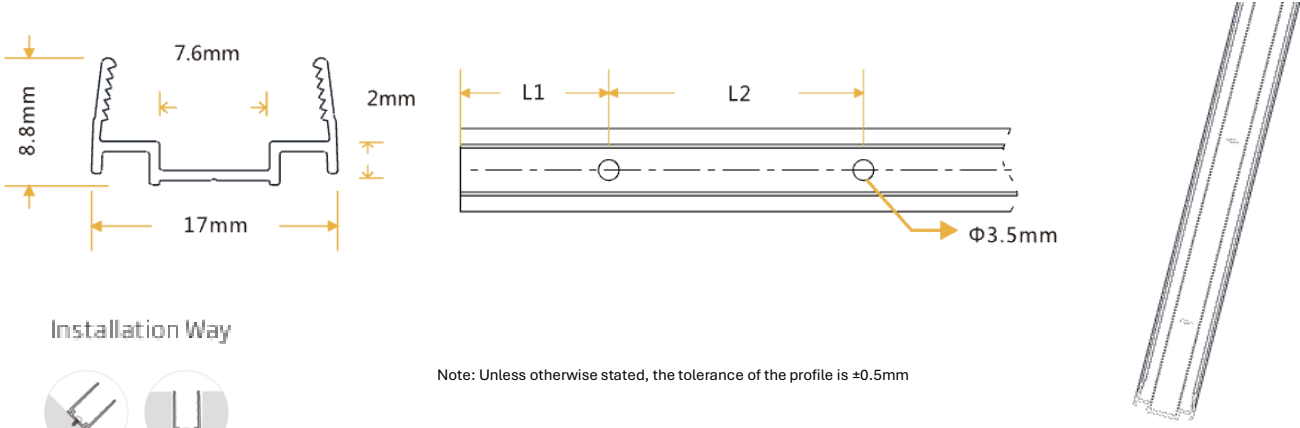
Note: Unless otherwise stated, the tolerance of the profile is  $\pm 0.5\text{mm}$

Model	W*H(mm)	Standard Length (mm)	L1 (mm)	L2 (mm)	Screw Hole (mm)	Hole Number	For Product
F16-PA/PL	11.2*19	35	17.5	/	Ø3.5	1	F16
		500	50	200	Ø3.5	3	F16
		1000	100	200	Ø3.5	5	F16
		2000	100	200	Ø3.5	10	F16

### FXN 156 | FLEXIBLE NEON

#### MOUNTING PROFILES

##### PLASTIC PROFILE



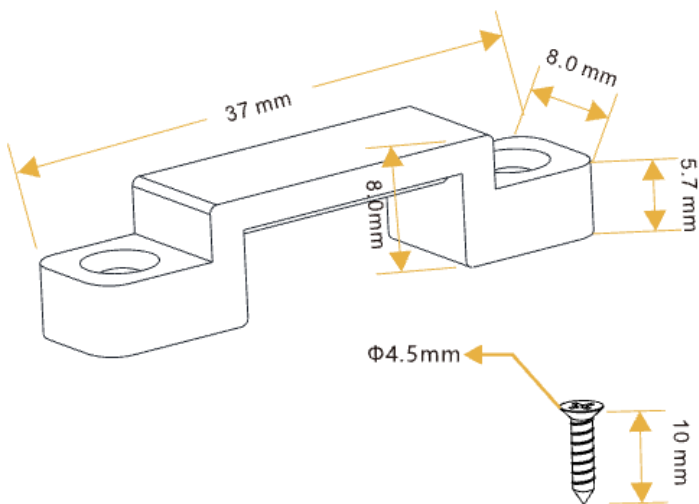
#### Installation Way



Note: Unless otherwise stated, the tolerance of the profile is  $\pm 0.5\text{mm}$

Model	W*H(mm)	Standard Length (mm)	L1 (mm)	L2 (mm)	Screw Hole (mm)	Hole Number	For Product
F16-PC/PL	17*8.8	500	50	200	$\Phi 3.5$	3	F16
		1000	100	200	$\Phi 3.5$	5	F16
		2000	100	200	$\Phi 3.5$	10	F16

##### PC CLIP



Note: Unless otherwise stated, the tolerance of the clip is  $\pm 0.5\text{mm}$