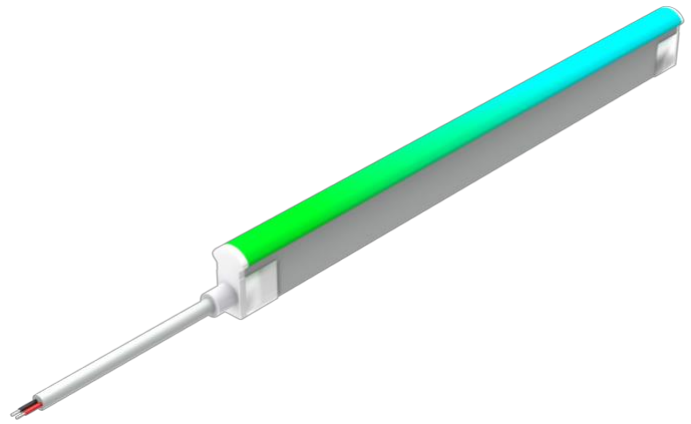


FXN 1129 | FLEXIBLE NEON

The FXN 1129 is a versatile, flexible LED lighting solution for architectural and commercial applications. With vibrant RGBW output and a durable, bendable design, it adapts seamlessly to creative lighting projects.

Made from high-quality silicone, the FXN 1129 offers IP67 water resistance and IK08 impact protection for long-lasting reliability.

Its flexible installation options and even illumination make it ideal for dynamic and innovative lighting designs.



PART NUMBER CONFIGURATOR

| Prefix | Model | LED Colour | Control | Bending Direction | Voltage | Power | CRI |
|---|-------|---|----------------------------|----------------------|-------------|-------------------------|----------|
| FXN | 1129 | RGBW(27K) RGBW(30K) RGBW(40K) RGB RGBA White (27K-57K) | X – X-Stream SPI DMX | HB – Horizontal Bend | 24 – 24V DC | 6 8 9 12 15 | 80 90 |
| EXAMPLE: FXN – 1129 – RGBA – X – HB – 24 – 12 – 90 | | | | | | | |

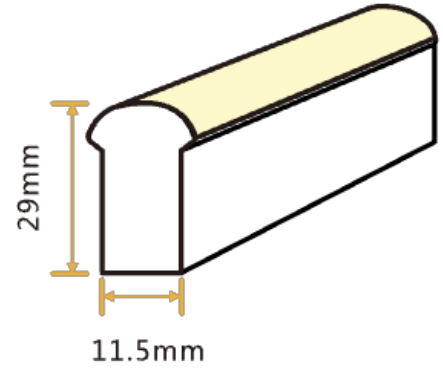
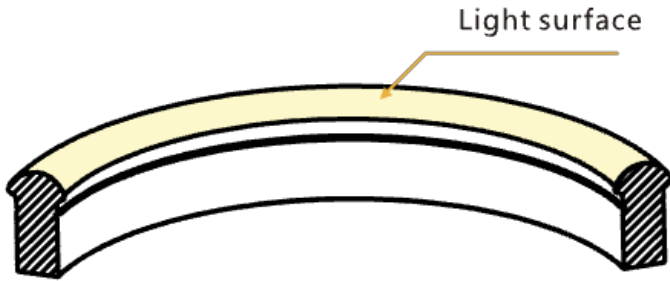
SPECIFICATIONS

| | | |
|--|--|---|
| Electrical | Power Consumption Operating Voltage Installation Temperature Operating Temperature Storage Temperature | 15W per metre (fixed, standard configuration) 24V DC -40°C TO 50°C - (-40°F TO 122°F) -40°C TO 55°C - (-40°F TO 113°F) -40°C TO 60°C - (-40°F TO 140°F) |
| Physical | Dimensions Housing / Lens Weight/m IK Rating IP Rating Min. Cutting Unit Min. Cutting Length Unit/m (Pixel Qty/m) Connectors Mounting Options Data Maximum Run Length | L: 1000mm – H: 29mm – W: 11.5mm Silicone 450g IK08 IP67 6LEDs(1unit) 100mm(1unit) 8 pixels Injection-moulded connector, Dual injection-moulded connector, and male and female connectors Standard Aluminium, Plastic, Spring Clip Aluminium, Bendable Stainless Steel Profiles, Cable Exit-Oriented Aluminium, and Corner Aluminium 48m @ 8pixels/m – 6 universes |
| Optical | Beam Angle Colour Range LED Qty/m LED Type LED Distance Total Lumens | 160° RGBW, RGB, RGBA, White 60LEDs EPISTAR SMD LED 16.67mm >140lm/m |
| Control | Dimming Protocols | X-Stream: SPI protocol with data redundancy Others – SPI, DMX |
| Fixture Rating & Certifications | UL LISTED, CE RoHs COMPLIANT | |
| Limited Warranty | 5 Years | Extendable warranty available |

FXN 1129 | FLEXIBLE NEON

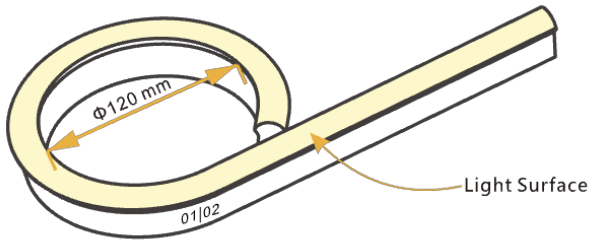
DIMENSIONS & MOUNTING

DIMENSIONS OF LIGHT

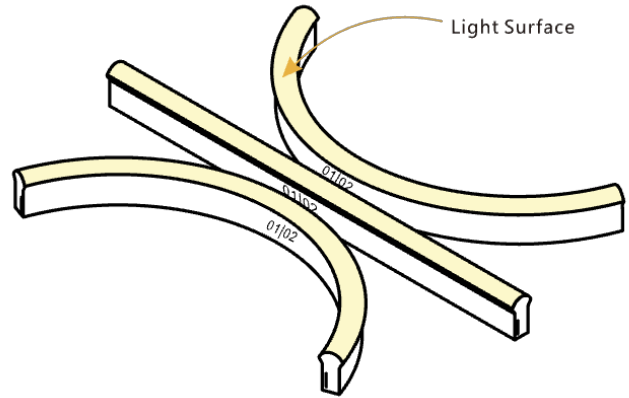


Note: Unless otherwise stated, the tolerance of the light is $\pm 0.3\text{mm}$.

MINIMUM BEND DIAMETER



The light can only be bent laterally (opposite bend along to the light surface)



Do not bend smaller than allowed minimum bend diameter.

TYPES OF CONNECTORS

INJECTION-MOULDED CONNECTOR

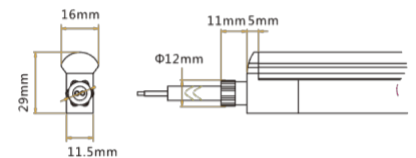
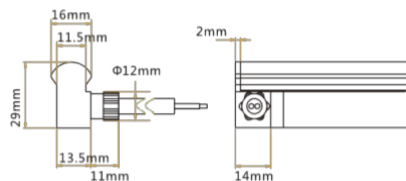
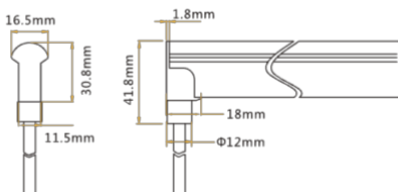
1. Unless otherwise stated, the tolerance of the connector is $\pm 0.5\text{mm}$;
2. Continuous length up to 8m by powering one end.

The light is connected to the power supply with a pre-installed IP67 side feed cable. Cable lengths are available in 0.3m, 1m, 3m, 5m, and 10m.

BOTTOM

SIDE

TOP END

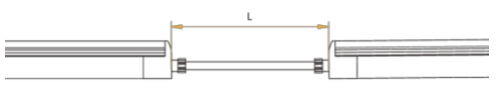
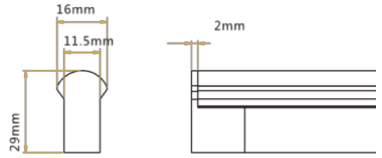
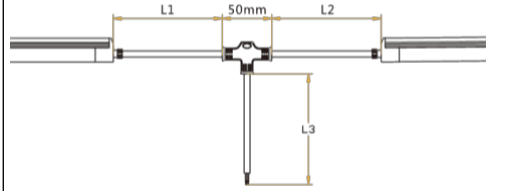


FXN 1129 | FLEXIBLE NEON

TYPES OF CONNECTORS

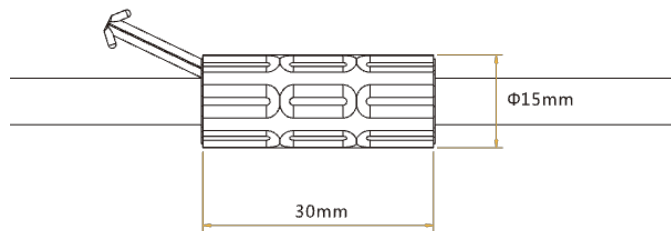
INJECTION-MOULDED CONNECTOR

1. Unless otherwise stated, the tolerance of the connector is $\pm 0.5\text{mm}$;
2. Continuous length up to 8m by powering one end.

| JUMPER | END CAP | T-FEED |
|---|---|--|
| <p>Connects two pieces of lights with a flexible cable. IP67 Injection-moulded connector. L available in 0.3 \approx 1m.</p> <p>Maximum 8 Jumpers in 20m. Maximum 4 Jumpers in 10m.</p>  | <p>Pre-installed termination protection of the light, IP67.</p>  | <p>Connects two pieces of lights with a T joint, energised from the middle. IP67 Injection-moulded connector. L1 and L2 available in 0.15 \approx 0.5m. L3 available in 0.3 \approx 3m.</p> <p>Maximum 8 T-feeds in 20m. Maximum 4 T-feeds in 10m.</p>  |

ANTI-WICKING FERRULE

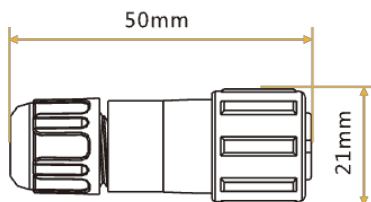
Note: Unless otherwise stated, the tolerance is $\pm 0.5\text{mm}$.



The anti-wicking ferrule is located at 115mm ($\pm 5\text{mm}$ tolerance) from the connector on the table

For protection against water ingress from inside the cable wire and hence damage to the light

MALE & FEMALE CONNECTOR

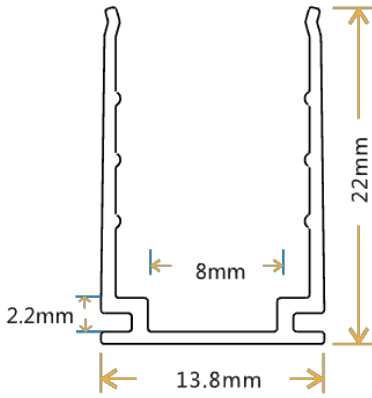


For plug-and-play cable junction, DIY or Pre-installed connector, IP68

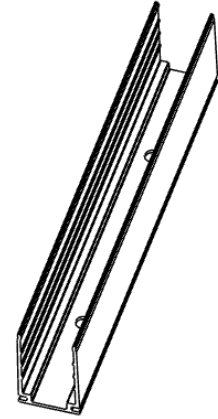
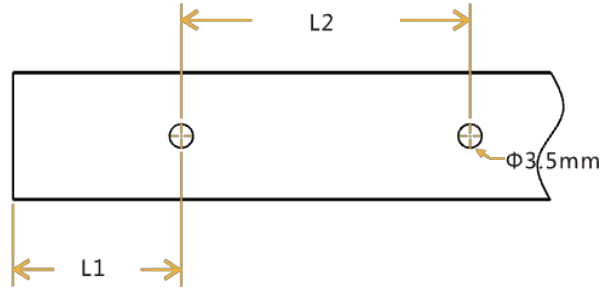
FXN 1129 | FLEXIBLE NEON

MOUNTING PROFILES

STANDARD ALUMINIUM PROFILE



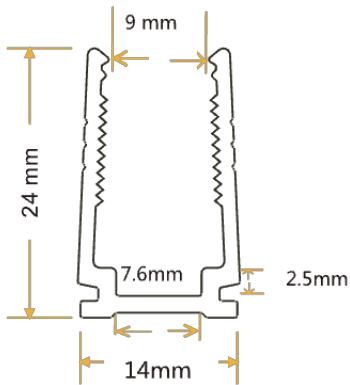
Installation Way



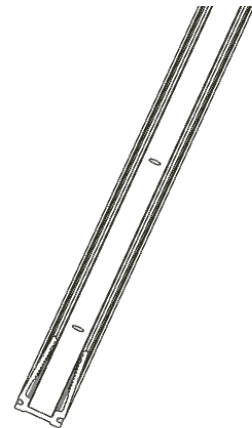
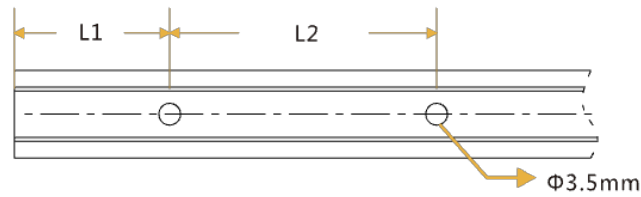
Note: Unless otherwise stated, the tolerance of the profile is $\pm 0.5\text{mm}$

| Model | W*H(mm) | Standard Length (mm) | L1 (mm) | L2 (mm) | Screw Hole (mm) | Hole Number |
|----------|---------|----------------------|---------|---------|-----------------|-------------|
| F21-A/PL | 13.8*22 | 35 | 17.5 | / | Φ3.5 | 1 |
| | | 500 | 50 | 200 | Φ3.5 | 3 |
| | | 1000 | 100 | 200 | Φ3.5 | 5 |
| | | 2000 | 100 | 200 | Φ3.5 | 10 |

PLASTIC PROFILE



Installation Way



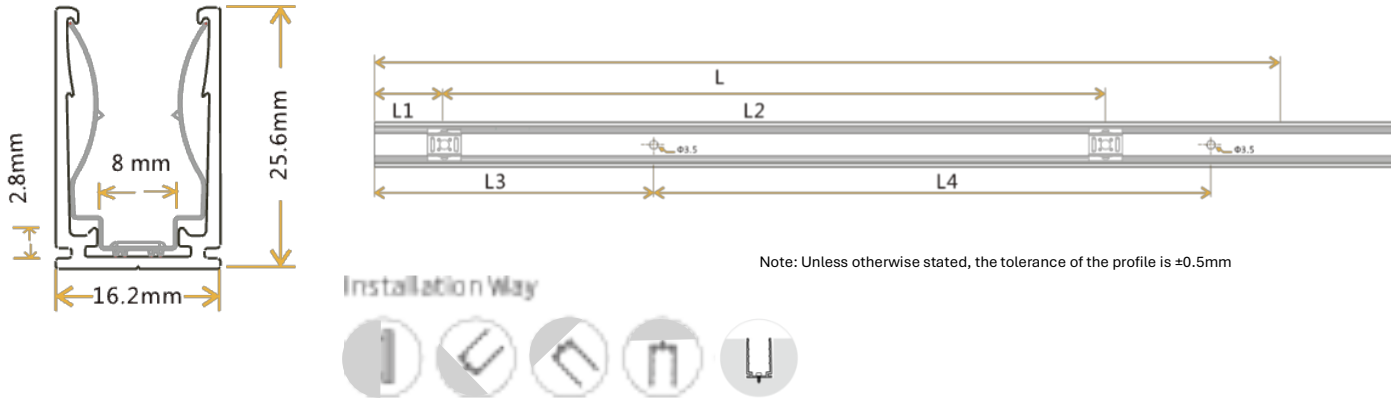
Note: Unless otherwise stated, the tolerance of the profile is $\pm 0.5\text{mm}$

| Model | W*H(mm) | Standard Length (mm) | L1 (mm) | L2 (mm) | Screw Hole (mm) | Hole Number |
|----------|---------|----------------------|---------|---------|-----------------|-------------|
| F21-P/PL | 14*24 | 500 | 50 | 200 | Φ3.5 | 3 |
| | | 1000 | 100 | 200 | Φ3.5 | 5 |
| | | 2000 | 100 | 200 | Φ3.5 | 10 |

FXN 1129 | FLEXIBLE NEON

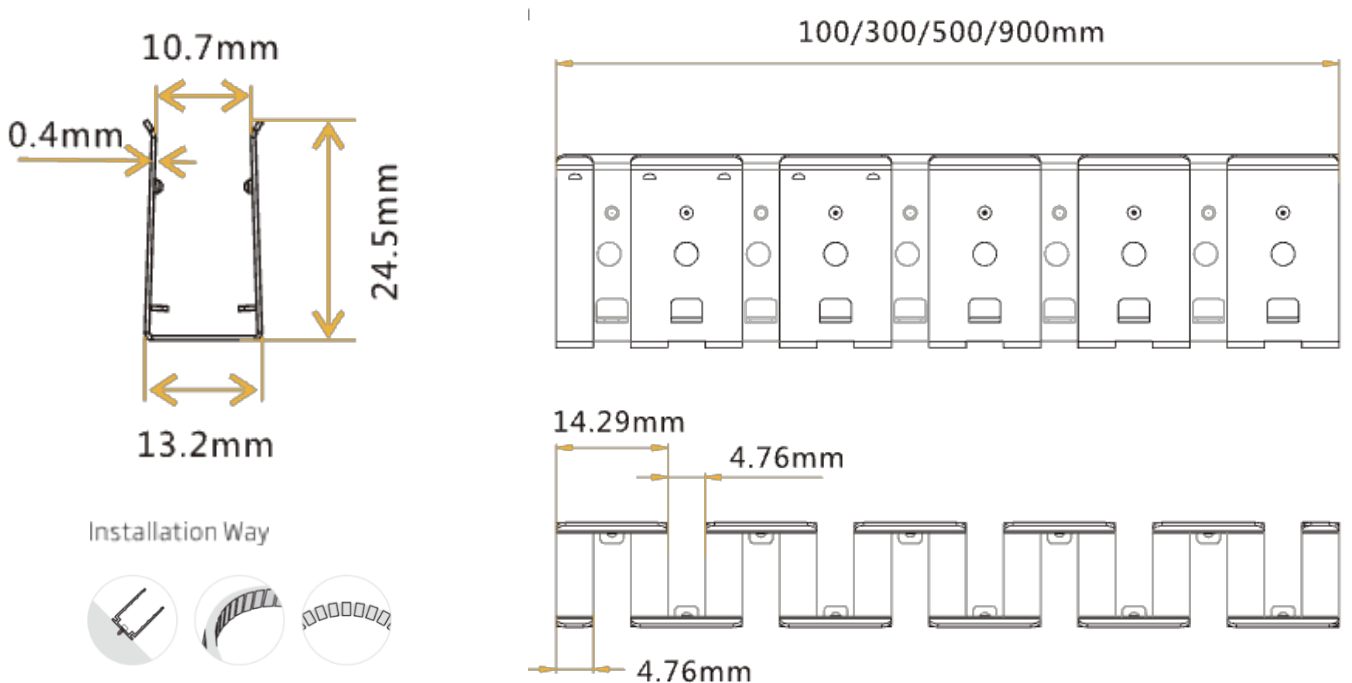
MOUNTING PROFILES

SPRING CLIP ALUMINIUM PROFILE



| Model | W*H(mm) | Standard Length(mm) | L1(mm) | L2(mm) | L3(mm) | L4(mm) | Hole Screw(mm) | Hole Number | Clip Number |
|------------|-----------|---------------------|--------|--------|--------|--------|----------------|-------------|-------------|
| F21-SCA/PL | 16.2*25.6 | 35 | 17.5 | / | 5 | 25 | Ø3.5 | 2 | 1 |
| | | 500 | 25 | 225 | 50 | 200 | Ø3.5 | 3 | 3 |
| | | 1000 | 25 | 237.5 | 100 | 200 | Ø3.5 | 5 | 5 |
| | | 2000 | 25 | 243.8 | 100 | 200 | Ø3.5 | 10 | 9 |

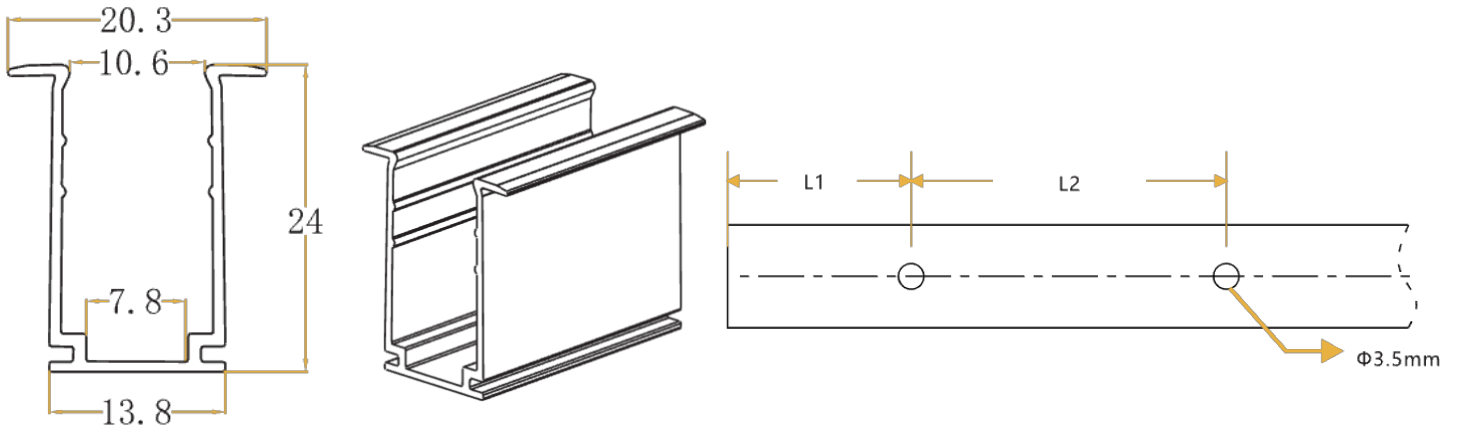
BENDABLE STAINLESS STEEL PROFILE



FXN 1129 | FLEXIBLE NEON

MOUNTING PROFILES

RECESSED MOUNTING PROFILE



Installation Way



Note: Unless otherwise stated, the tolerance of the profile is $\pm 0.5\text{mm}$

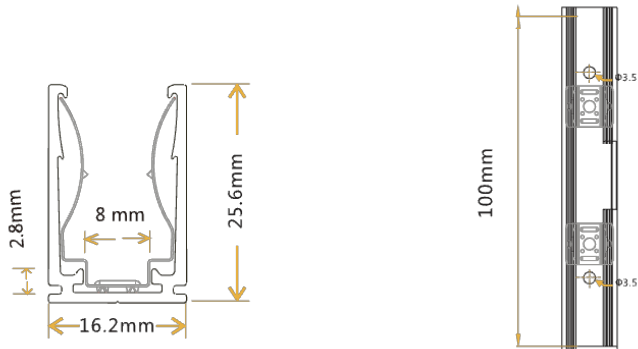
| Model | W*H(mm) | Standard Length (mm) | L1 (mm) | L2 (mm) | Screw Hole (mm) | Hole Number |
|------------|---------|----------------------|---------|---------|-----------------|-------------|
| F21-RMA/PL | 20.3*24 | 35 | 5 | 25 | $\Phi 3.5$ | 2 |
| | | 500 | 50 | 200 | $\Phi 3.5$ | 3 |
| | | 1000 | 100 | 200 | $\Phi 3.5$ | 5 |
| | | 2000 | 100 | 200 | $\Phi 3.5$ | 10 |

FXN 1129 | FLEXIBLE NEON

MOUNTING PROFILES

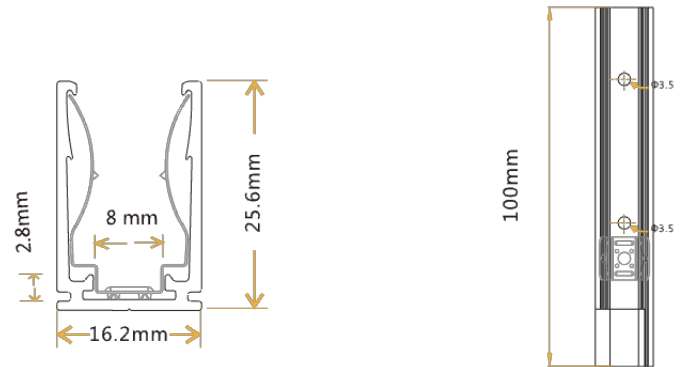
CABLE EXIT ORIENTED ALUMINIUM PROFILE

SPRING CLIP ALUMINIUM PROFILE – MIDDLE FEED



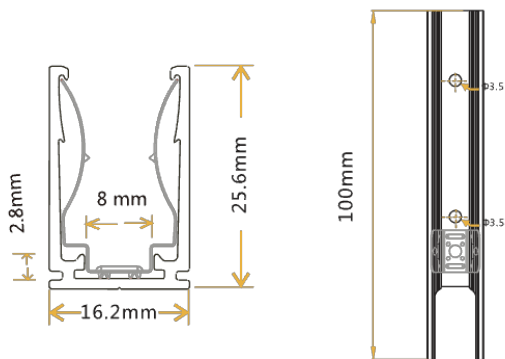
Note: Unless otherwise stated, the tolerance of the profile is $\pm 0.5\text{mm}$

SPRING CLIP ALUMINIUM PROFILE – SIDE FEED



Note: Unless otherwise stated, the tolerance of the profile is $\pm 0.5\text{mm}$

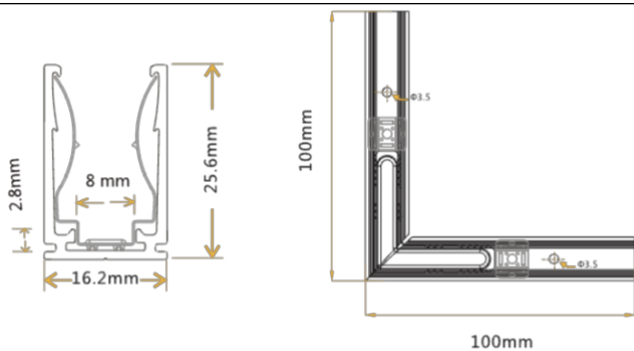
SPRING CLIP ALUMINIUM PROFILE – BOTTOM FEED



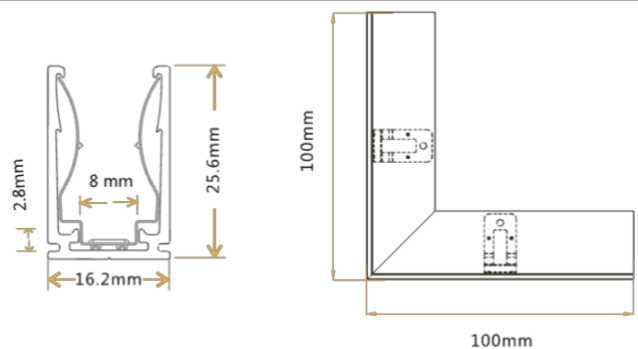
Note: Unless otherwise stated, the tolerance of the profile is $\pm 0.5\text{mm}$

CORNER ALUMINIUM PROFILE

L – SHAPE SPRING CLIP ALUMINIUM PROFILE



INWARD L – SHAPE SPRING CLIP ALUMINIUM PROFILE

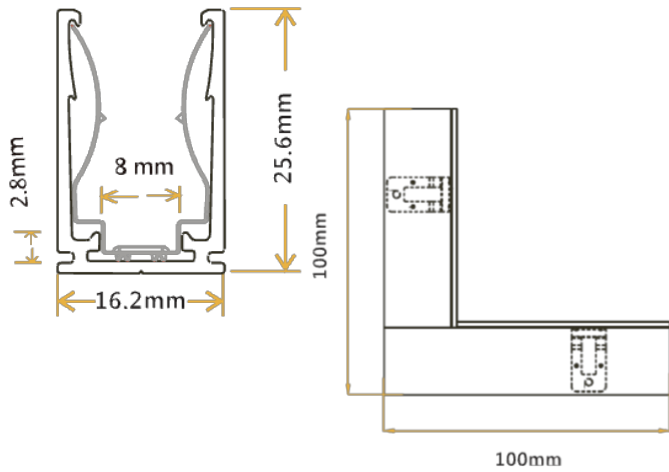


FXN 1129 | FLEXIBLE NEON

MOUNTING PROFILES

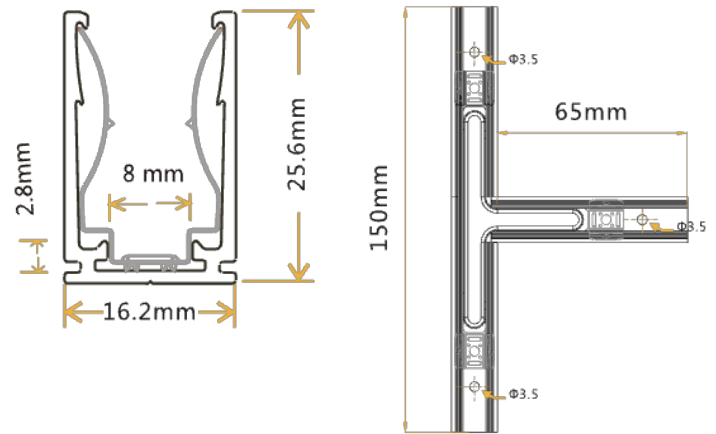
CORNER ALUMINIUM PROFILE

OUTWARD L – SHAPE SPRING CLIP ALUMINIUM PROFILE



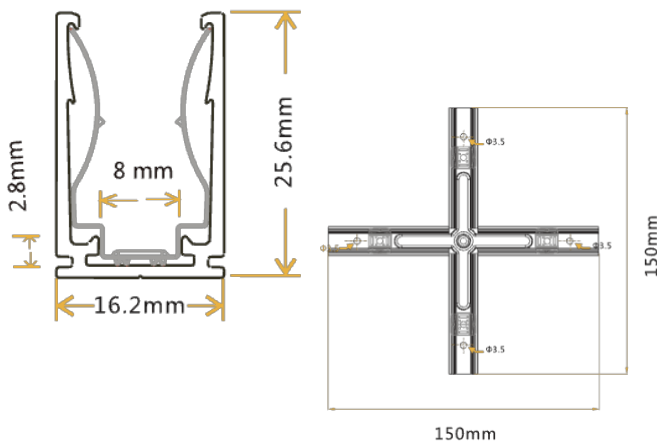
Note: Unless otherwise stated, the tolerance of the profile is $\pm 0.5\text{mm}$

T – SHAPE SPRING CLIP ALUMINIUM PROFILE



Note: Unless otherwise stated, the tolerance of the profile is $\pm 0.5\text{mm}$

X – SHAPE SPRING CLIP ALUMINIUM PROFILE



Note: Unless otherwise stated, the tolerance of the profile is $\pm 0.5\text{mm}$