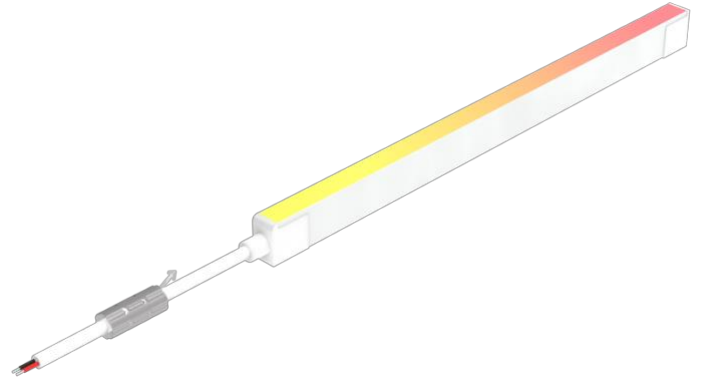


### FXN 1121 | FLEXIBLE NEON

The FXN 1121 is a dynamic, flexible lighting solution for bold, vibrant illumination. With rich RGBW colours and a bendable design, it seamlessly enhances architectural features, retail displays, and event spaces.

Made from durable silicone, FXN 1121 is engineered for reliability with IP67 water resistance and IK08 impact protection.

Easy to install and built to last, it delivers everything from subtle ambient glows to striking colour effects with precision and ease.



### PART NUMBER CONFIGURATOR

| Prefix  | Model | LED Colour  | Control                    | Bending Direction    | Voltage     | Power               | CRI      |
|---|-------|---|----------------------------|----------------------|-------------|---------------------|----------|
| FXN   | 1121  | RGBW(27K)<br>RGBW(30K)<br>RGBW(40K)<br>RGB<br>White (27K-57K) | X – X-Stream<br>SPI<br>DMX | HB – Horizontal Bend | 24 – 24V DC | 8<br>12<br>15<br>18 | 80<br>90 |
| <b>EXAMPLE: FXN – 1121 – RGBW(27K) – X – HB – 24 – 8 – 90</b> |       |   |                            |                      |             |                     |          |

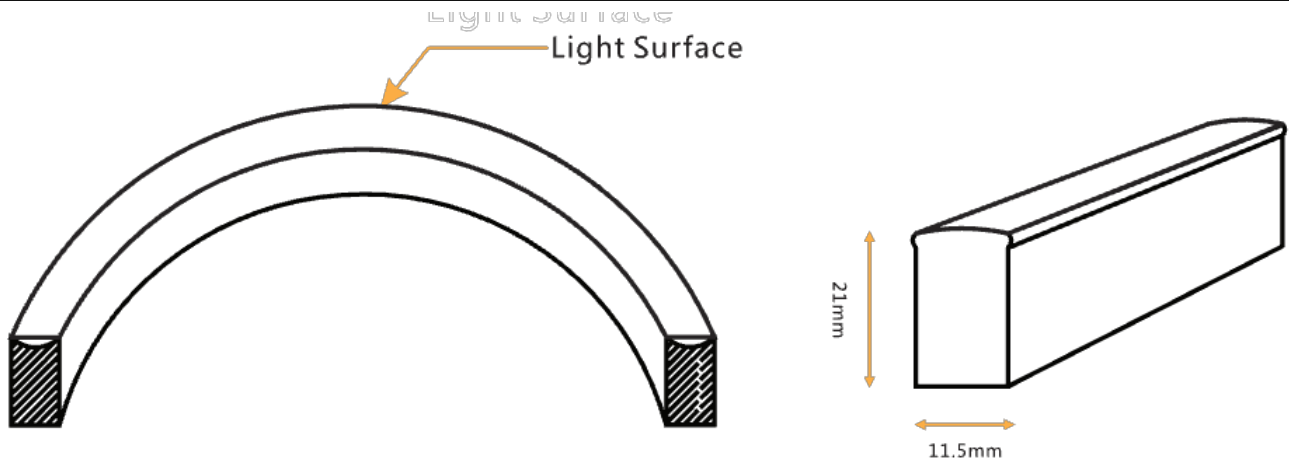
### SPECIFICATIONS

|  |   |   |
|--|---|---|
| <b>Electrical</b>                          | <b>Power Consumption</b><br><b>Operating Voltage</b><br><b>Installation Temperature</b><br><b>Operating Temperature</b><br><b>Storage Temperature</b>   | 15W per metre (fixed, standard configuration)<br>24V DC<br>-40°C TO 50°C (-40°F TO 122°F)<br>-40°C TO 55°C (-40°F TO 131°F)<br>-40°C TO 60°C (-40°F TO 140°F)   |
| <b>Physical</b>                            | <b>Dimensions</b><br><b>Housing / Lens</b><br><b>Weight/m</b><br><b>IK Rating</b><br><b>IP Rating</b><br><b>Min. Cutting Unit</b><br><b>Min. Cutting Length</b><br><b>Unit/m (Pixels Qty/m)</b><br><b>Connectors</b><br><br><b>Mounting Options</b><br><br><b>Data Maximum Run Length</b> | L: 1000mm – H: 21mm – W: 11.5mm<br>Silicone<br>325g<br>IK08<br>IP67<br>6LEDs(1unit)<br>100mm(1unit)<br>8 pixels<br>Injection-moulded connector, Dual injection-moulded connector, and male and female connectors<br>Standard Aluminium, Plastic, Spring Clip Aluminium, Bendable Stainless Steel Profiles, Cable Exit-Oriented Aluminium, and Corner Aluminium<br>48m @ 8pixels/m – 6 universes |
| <b>Optical</b>                             | <b>Beam Angle</b><br><b>Colour Range</b><br><b>LED Qty/m</b><br><b>LED Type</b><br><b>LED Distance</b><br><b>Total Lumens</b>   | 120°<br>RGBW, RGB, White<br>60LEDs<br>EPISTAR SMD LED<br>16.67mm<br>>120lm/m  |
| <b>Control</b>                             | <b>Dimming Protocols</b>  | <b>X-Stream:</b> SPI protocol with data redundancy<br>Others – SPI, DMX   |
| <b>Fixture Rating &amp; Certifications</b> | <b>UL LISTED, CE</b><br><b>RoHs COMPLIANT</b>   |   |
| <b>Limited Warranty</b>                    | <b>5 Years</b>  | Extendable warranty available   |

### FXN 1121 | FLEXIBLE NEON

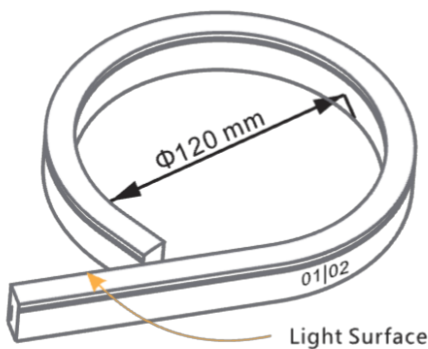
#### DIMENSIONS & MOUNTING

##### DIMENSIONS OF LIGHT

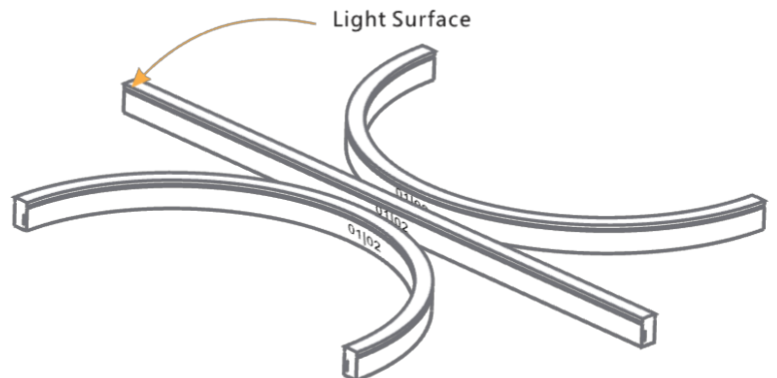


Note: Unless otherwise stated, the tolerance of the light is  $\pm 0.3\text{mm}$ .

##### MINIMUM BEND DIAMETER



The light can only be bent laterally (opposite bend along to the light surface)



Do not bend smaller than allowed minimum bend diameter.

#### TYPES OF CONNECTORS

##### INJECTION-MOULDED CONNECTOR

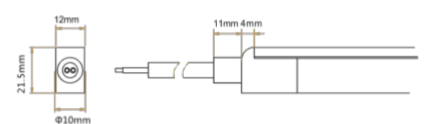
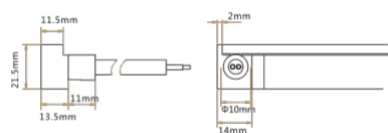
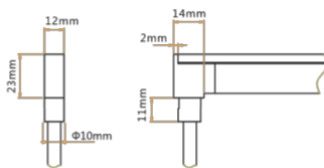
1. Unless otherwise stated, the tolerance of the connector is  $\pm 0.5\text{mm}$ ;
2. Continuous length up to 8m by powering one end.

The light is connected to the power supply with a pre-installed IP67 side feed cable. Cable lengths are available in 0.3m, 1m, 3m, 5m, and 10m.

##### BOTTOM

##### SIDE

##### TOP END


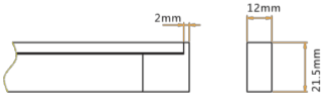
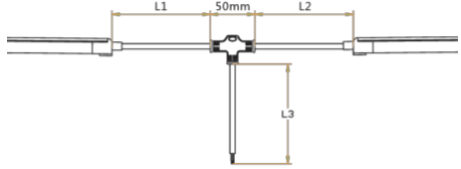


### FXN 1121 | FLEXIBLE NEON

#### TYPES OF CONNECTORS

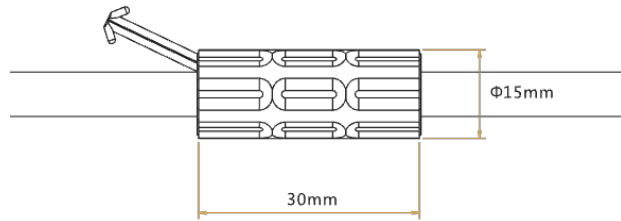
#### INJECTION-MOULDED CONNECTOR

1. Unless otherwise stated, the tolerance of the connector is  $\pm 0.5\text{mm}$ ;
2. Continuous length up to 8m by powering one end.

| JUMPER   | END CAP   | T-FEED   |
|--|---|--|
| <p>Connects two pieces of lights with a flexible cable. IP67 Injection-moulded connector. L available in <math>0.3 \approx 1\text{m}</math>.</p> <p>Maximum 8 Jumpers in 20m.<br/>Maximum 4 Jumpers in 10m.</p>  | <p>Pre-installed termination protection of the light, IP67.</p>  | <p>Connects two pieces of lights with a T joint, energized from the middle. IP67 Injection-moulded connector. L1 and L2 available in <math>0.15 \approx 0.5\text{m}</math>. L3 available in <math>0.3 \approx 3\text{m}</math>.</p> <p>Maximum 8 T-feeds in 20m.<br/>Maximum 4 T-feeds in 10m.</p>  |

#### ANTI-WICKING FERRULE

Note: Unless otherwise stated, the tolerance is  $\pm 0.5\text{mm}$ .

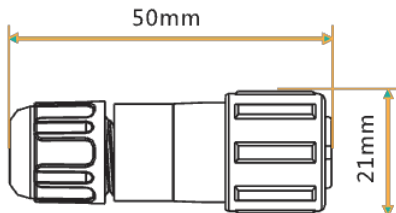


The anti-wicking ferrule is located at  $115\text{mm}$  ( $\pm 5\text{mm}$  tolerance) from the connector on the table

For protection against water ingress from inside the cable wire and hence damage the light

#### MALE & FEMALE CONNECTOR

Note: Unless otherwise stated, the tolerance is  $\pm 2\text{mm}$ .

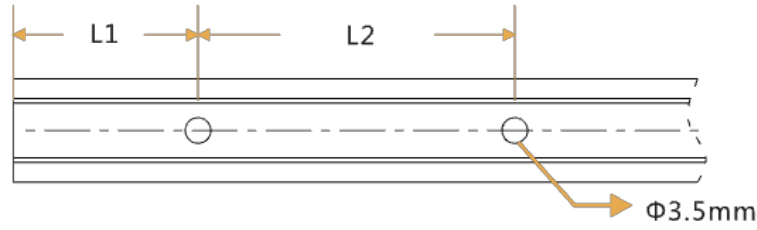
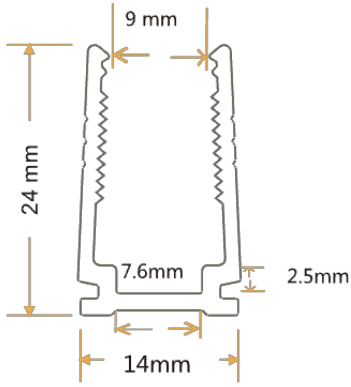


For plug and play cable junction, DIY or Pre-installed connector, IP68

### FXN 1121 | FLEXIBLE NEON

#### MOUNTING PROFILES

##### PLASTIC PROFILE



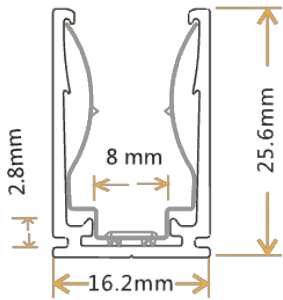
##### Installation Way



Note: Unless otherwise stated, the tolerance of the profile is  $\pm 0.5\text{mm}$ .

| Model     | W*H(mm) | Standard Length (mm) | L1 (mm) | L2 (mm) | Screw Hole (mm) | Hole Number | For Product   |
|-----------|---------|----------------------|---------|---------|-----------------|-------------|---------------|
| F15-PC/PL | 14*24   | 500                  | 50      | 200     | Φ3.5            | 3           | F11, F15, F21 |
|           |         | 1000                 | 100     | 200     | Φ3.5            | 5           | F11, F15, F21 |
|           |         | 2000                 | 100     | 200     | Φ3.5            | 10          | F11, F15, F21 |

##### SPRING CLIP ALUMINIUM PROFILE



##### Installation Way



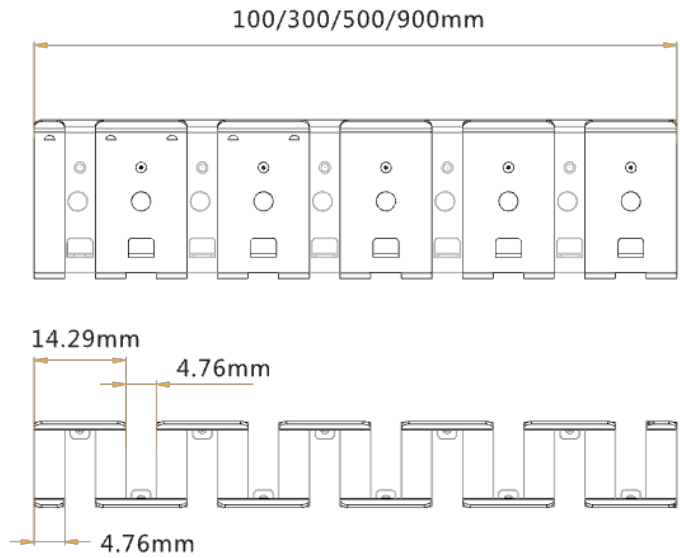
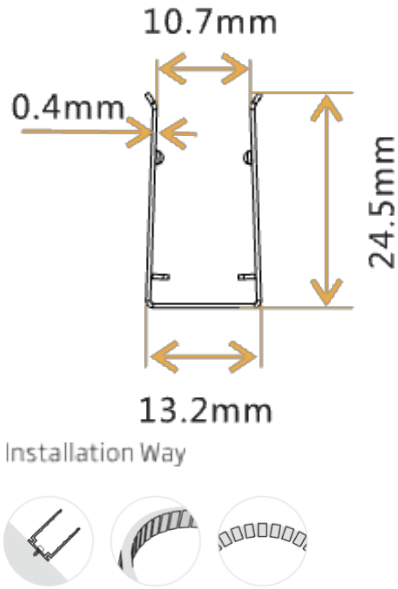
Note: Unless otherwise stated, the tolerance of the profile is  $\pm 0.5\text{mm}$ .

| Model      | W*H(mm)   | Standard Length(mm) | L1(mm) | L2(mm) | L3(mm) | L4(mm) | Hole Screw(mm) | Hole Number | Clip Number |
|------------|-----------|---------------------|--------|--------|--------|--------|----------------|-------------|-------------|
| F15-SCA/PL | 16.2*25.6 | 35                  | 17.5   | /      | 5      | 25     | Φ3.5           | 2           | 1           |
|            |           | 500                 | 25     | 225    | 50     | 200    | Φ3.5           | 3           | 3           |
|            |           | 1000                | 25     | 237.5  | 100    | 200    | Φ3.5           | 5           | 5           |
|            |           | 2000                | 25     | 243.8  | 100    | 200    | Φ3.5           | 10          | 9           |

## FXN 1121 | FLEXIBLE NEON

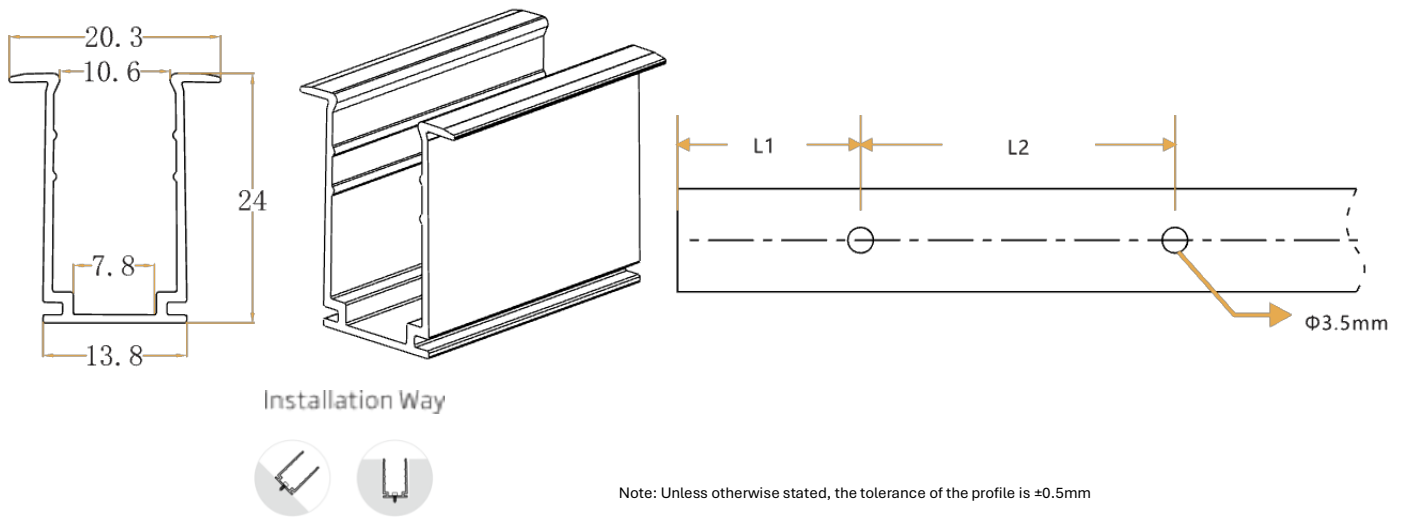
### MOUNTING PROFILES

#### BENDABLE STAINLESS STEEL PROFILE



Note: Unless otherwise stated, the tolerance of the profile is  $\pm 0.5\text{mm}$

### RECESSED MOUNTING PROFILE



Note: Unless otherwise stated, the tolerance of the profile is  $\pm 0.5\text{mm}$

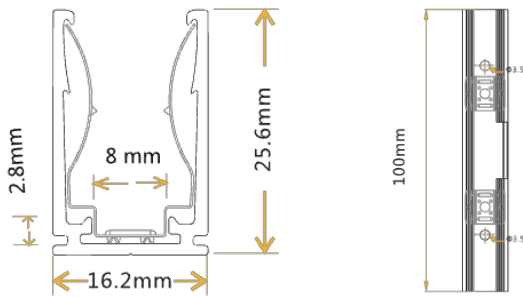
| Model      | W*H(mm) | Standard Length (mm) | L1 (mm) | L2 (mm) | Screw Hole (mm) | Hole Number | For Product |
|------------|---------|----------------------|---------|---------|-----------------|-------------|-------------|
| F15-RMA/PL | 18*13.2 | 35                   | 5       | 25      | Φ3.5            | 2           | F15         |
|            |         | 500                  | 50      | 200     | Φ3.5            | 3           | F15         |
|            |         | 1000                 | 100     | 200     | Φ3.5            | 5           | F15         |
|            |         | 2000                 | 100     | 200     | Φ3.5            | 10          | F15         |

### FXN 1121 | FLEXIBLE NEON

#### MOUNTING PROFILES

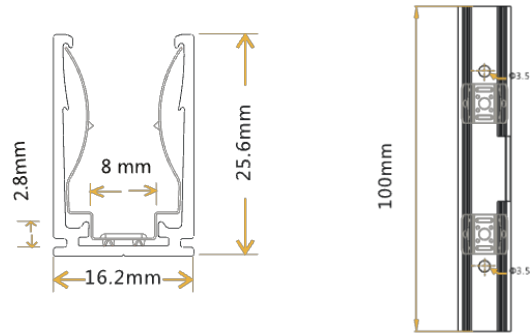
##### CABLE EXIT ORIENTED ALUMINIUM PROFILE

###### SPRING CLIP ALUMINIUM PROFILE – MIDDLE FEED



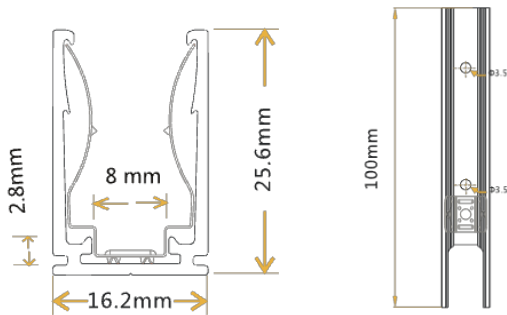
Note: Unless otherwise stated, the tolerance of the profile is  $\pm 0.5\text{mm}$

###### SPRING CLIP ALUMINIUM PROFILE – SIDE FEED



Note: Unless otherwise stated, the tolerance of the profile is  $\pm 0.5\text{mm}$

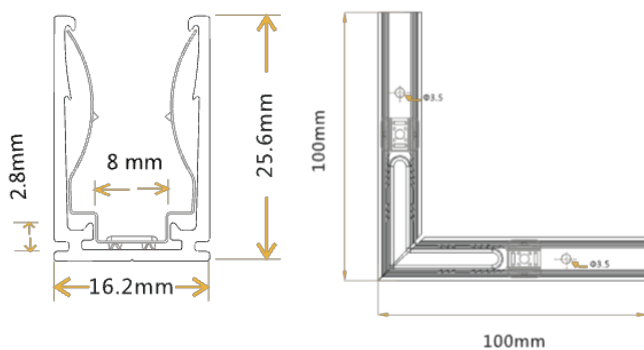
###### SPRING CLIP ALUMINIUM PROFILE – BOTTOM FEED



Note: Unless otherwise stated, the tolerance of the profile is  $\pm 0.5\text{mm}$

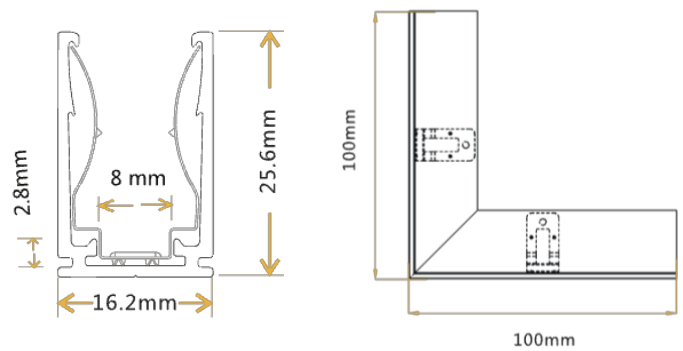
##### CORNER ALUMINIUM PROFILE

###### L – SHAPE SPRING CLIP ALUMINIUM PROFILE



Note: Unless otherwise stated, the tolerance of the profile is  $\pm 0.5\text{mm}$

###### INWARD L – SHAPE SPRING CLIP ALUMINIUM PROFILE



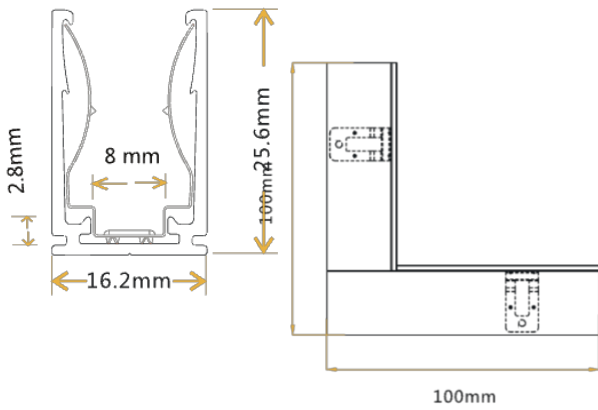
Note: Unless otherwise stated, the tolerance of the profile is  $\pm 0.5\text{mm}$

## FXN 1121 | FLEXIBLE NEON

### MOUNTING PROFILES

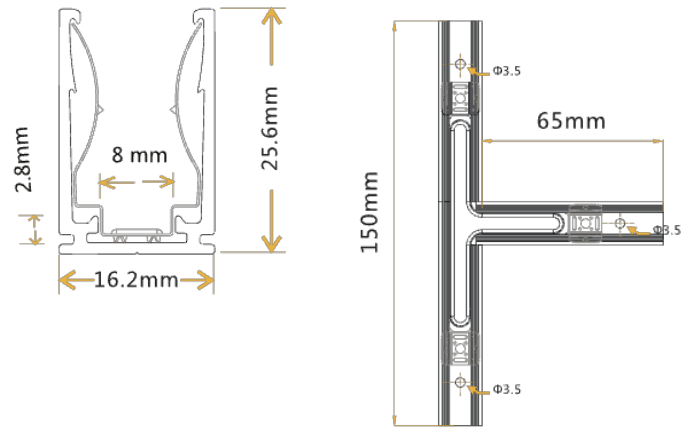
#### CORNER ALUMINIUM PROFILE

##### OUTWARD L – SHAPE SPRING CLIP ALUMINIUM PROFILE



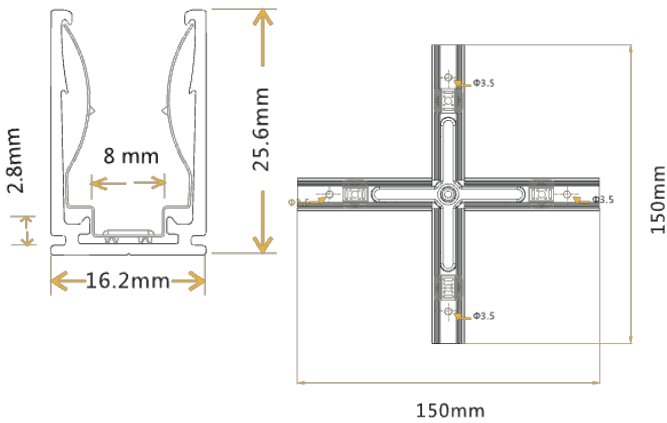
Note: Unless otherwise stated, the tolerance of the profile is  $\pm 0.5\text{mm}$

##### T – SHAPE SPRING CLIP ALUMINIUM PROFILE



Note: Unless otherwise stated, the tolerance of the profile is  $\pm 0.5\text{mm}$

##### X – SHAPE SPRING CLIP ALUMINIUM PROFILE



Note: Unless otherwise stated, the tolerance of the profile is  $\pm 0.5\text{mm}$