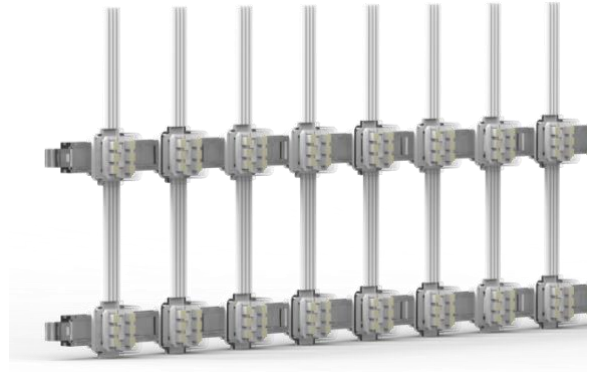


### FXM | PIXEL MESH SERIES

The FXM Pixel Mesh is a high-performance, flexible LED mesh system for dynamic media displays, architectural accents, and entertainment environments.

Compatible with SPI, ArtNet, sACN, X-Stream, and X-Data control protocols, it offers smooth playback and precise pixel-level control for complex animations and effects.

Its lightweight, transparent PC housing is both durable and discreet, with an IP67 rating for reliable performance in indoor and outdoor installations.



### PART NUMBER CONFIGURATOR

Prefix	Model	LED Colour	Control	Beam Angle	Voltage	Lens	Housing Colour
FXM	41 – P41.6 50 – P50 55 – P55 62 – P62.5 71 – P71.43 80 – P80 100 – P100 150 – P150 CP100 – CP100	RGB	D – DMX S – SPI PWM X – X-Stream	120 – 120°	24 – 24V DC	BS – Transparent Ball Shape MW – Milky White Ball Shape NC – No Cover	T – Transparent B – Black W – White
<b>EXAMPLE:</b> FXM – 55 – RGBW – X – 120 – 24 – T – MW – B							

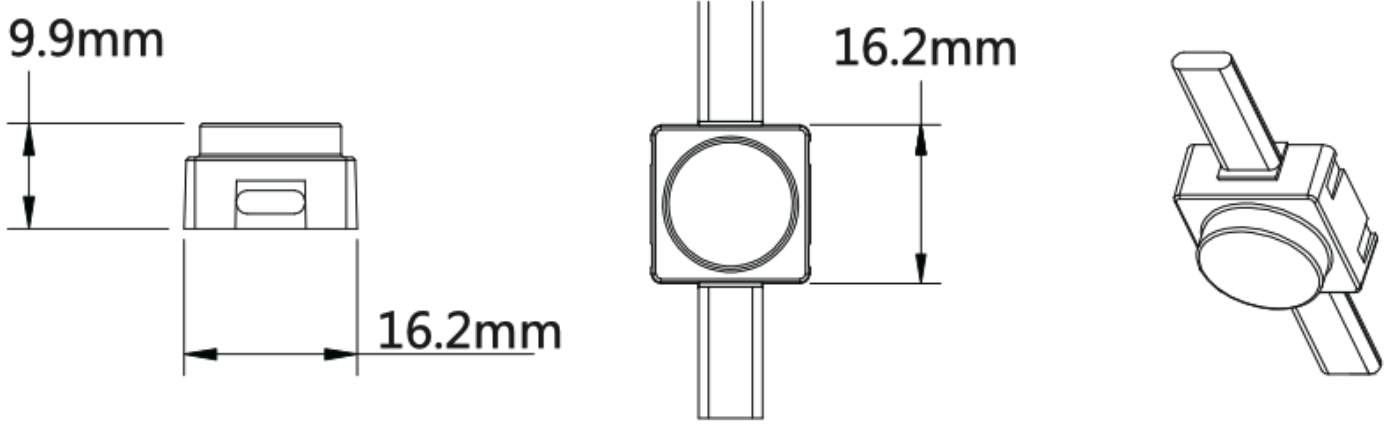
### SPECIFICATIONS

<b>Electrical</b>	<b>Power Consumption (W/m<sup>2</sup>)</b> <b>Operating Voltage</b> <b>Operating Temperature</b> <b>Storage Temperature</b>	576W(P41) / 400W(P50) / 325W(P55) / 256W(P62) / 196W(P71) / 128W(P80) / 100W(P100) / 150W(P150) / 98W(CP100) 24V DC -30°C TO 60°C (-22°F TO 140°F) -40°C TO 90°C (-40°F TO 194°F)
<b>Physical</b>	<b>Dimensions</b> <b>Housing</b> <b>Lens</b> <b>Weight (kg/m<sup>2</sup>)</b> <b>Unit Weight</b> <b>IP Rating</b> <b>Operating Humidity</b> <b>Fire Protection</b> <b>Thickness (mm)*</b> <b>Source Life</b> <b>Pitch Range</b> <b>Colour Grey Scale</b>	16.2mm (L) x 16.2mm (W) x 9.9mm (H) Transparent / Black / White, PC Transparent Ball Shape / Milky White Ball Shape / No Cover 4kgs(P41) / 3kgs(P50) / 2.5kgs(P55) / 2kgs(P62) / 2kgs(P71) / 2kgs(P80) / 2kgs(P100) / 2kgs(P150) / 2kgs(CP100) 8g (1 node); 400g (50 node strand) IP67 10% – 90% UL94-V0 ≤10 80,000hours (operation temperature <50°C) S1 Mesh: P40/50/60/80/100 (mm), S16 Pixel: 40-5000 (mm) Pitch 12bit
<b>Optical</b>	<b>Beam Angle</b> <b>Colour Range</b> <b>LED Type</b> <b>LED</b> <b>LED Source</b> <b>Colour Resolution</b> <b>Brightness (CD/m<sup>2</sup>)</b> <b>Pixel Pitch</b>	Vertical 120° / Horizontal 120° RGB RGB 3535 1SMD per pixel 1, 2, 3, 4, 6 SMD 16 ≤5500(P41) / ≤5000(P50) / ≤4000 (P55) / ≤3000(P62) / ≤2300(P71) / ≤1500(P80) / ≤1050(P100) / ≤450P150) / ≤2880CP100) 41.6 / 50 / 55 / 62.5 / 71.43 / 80 / 100 / 150 / 100
<b>Control</b>	<b>Control Protocols</b>	X-Stream (with PXT/PXR devices), SPI, DMX, PWM
<b>Fixture Rating &amp; Certifications</b>	<b>ETL, CE, RoHs</b>	
<b>Limited Warranty</b>	<b>5 Years</b>	Extendable warranty available

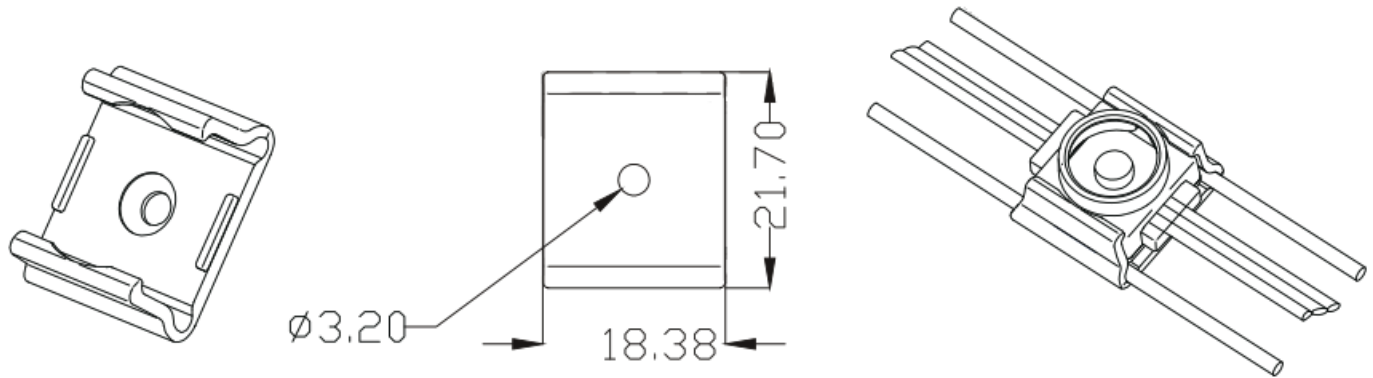
## FXM | PIXEL MESH SERIES

### DIMENSIONS & INSTALLATION

#### PHYSICAL DIMENSIONS



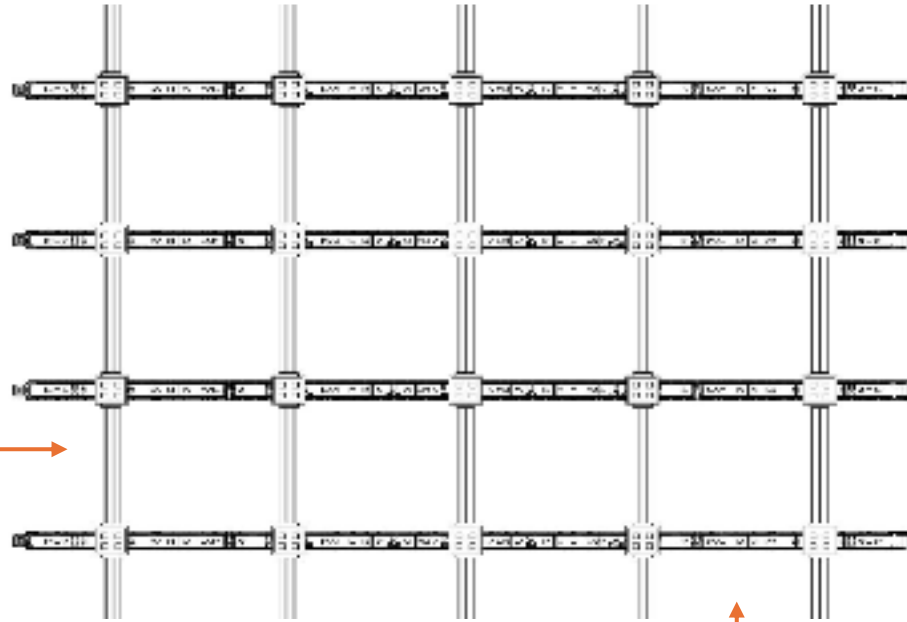
#### STEEL WIRE



**FXM | PIXEL MESH SERIES**

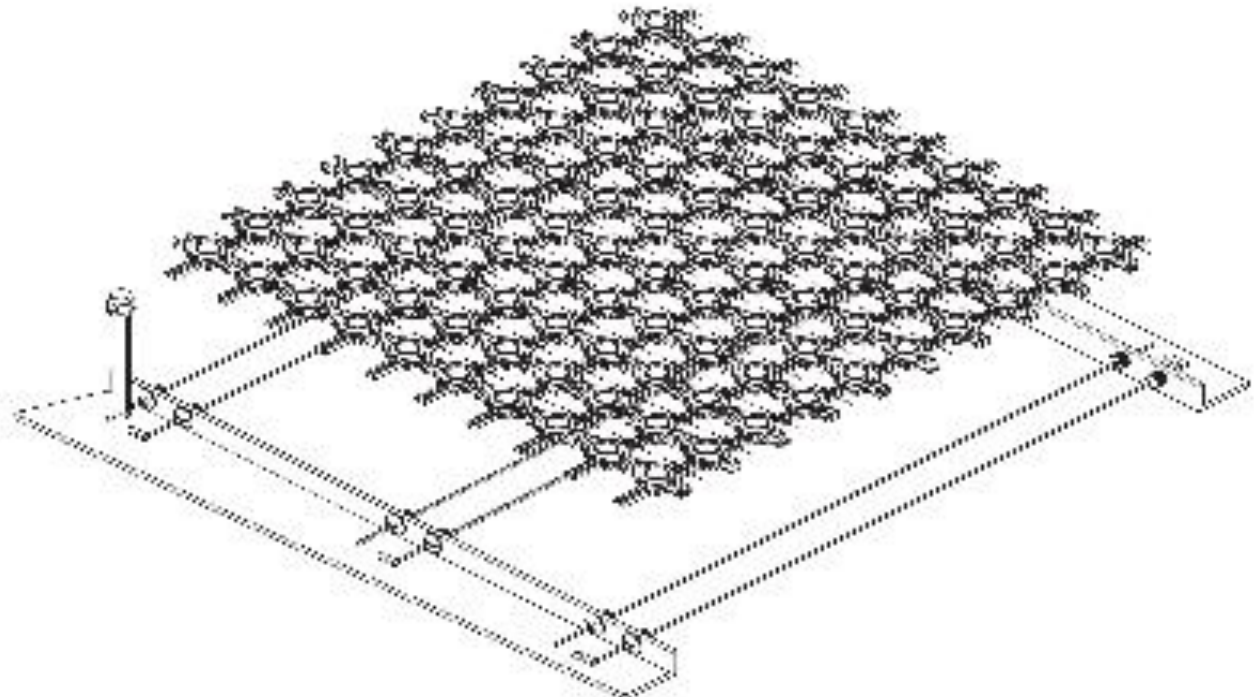
**DIMENSIONS & INSTALLATION**

**INSTALLATION**



Pitch of Vertical: 40mm – 5000mm

Pitch of Horizontal: 31.25mm, 41.67mm, 50mm, 55mm, 62.5mm, 71.43mm, 100mm, 150mm



FXM | PIXEL MESH SERIES

WIRING CONSIDERATIONS

TYPICAL SYSTEM WIRING DIAGRAM

