

### PRODUCT OVERVIEW

The PXT and PXR work together as transmitters and receivers to keep your lighting setup running smoothly. The PXT takes an SPI Signal from the Controller, boosts it into an SPI Booster Signal, and sends it to the PXR. The PXR grabs that boosted signal, processes it, and passes it along to the LED product.

These two are designed to always work as a team, handling the connection between fixtures. Think of the PXT as the messenger and the PXR as the receiver who ensures the message is delivered perfectly.



## SPECIFICATIONS

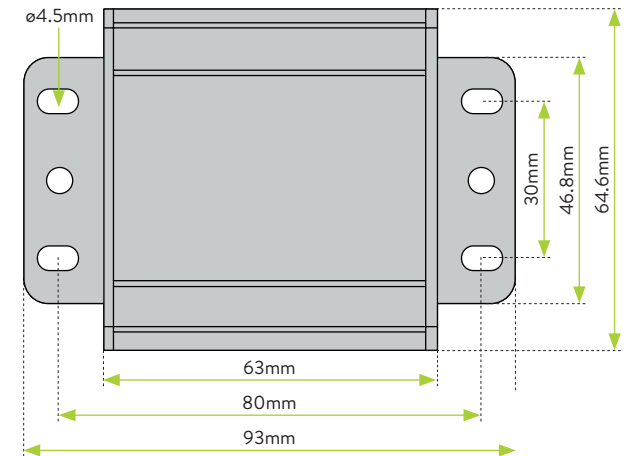
### PXT

Input Voltage	12V – 48V DC
Amp	6A Max
Input	SPI or X-Stream from controller or LEDs
Output	X-Stream differential signal
IP Rating	IP20

### PXR

Input Voltage	12V – 48V DC
Amp	6A Max
Input	X-Stream differential signal
Output	SPI or X-Stream to LEDs
IP Rating	IP20

## DIMENSIONS



## WIRING DIAGRAM

