

# BXS30

## DATASHEET – SPECIFICATIONS

### BXS30 | SPOTLIGHT SERIES RANGE

The BXS 30 is a compact, high-performance LED spotlight from the BX Beam range, designed for precision lighting in architectural, landscape, and public space applications.

With versatile colour options, precision optics, and multiple control protocols, it offers flexibility for both functional and decorative use.

Housed in anodised aluminium and rated IP66 with IK07 impact protection, the BXS 30 is built for durability and long-term outdoor performance. Custom accessories are available to suit specific project needs.



### PART NUMBER CONFIGURATOR

Prefix	Model	LED Colour	Control	Beam Angle	Voltage	Lens Options	Housing Colour	Mount
BXG	30	RGBW RGBA RGB DW White	SPI DMX PWM DALI X – S-Stream	5 – 5° 10 – 10° 25 – 25° 40 – 40° 2.4 – 20°x40° 1.3 – 10°x35° 1.6 – 10°x60° 3.6 – 30°x60°	AC – 100-240V AC	F – Full Snoot HC – Full Snoot Honeycomb H – Half Snoot	B – Black G – Grey R – Red C – CustomRAL	B – Bracket LS – Landscape Spike

**EXAMPLE:** BXG – 30 – RGBW – X – 10 – 24 – HC – B – LS

### SPECIFICATIONS

<b>Electrical</b>	<b>Power Consumption</b> <b>Operating Voltage</b> <b>Operating Temperature</b> <b>Storage Temperature</b>	30W 100-240V AC Input – Integral PSU & RDM DMX -20°C TO 60°C - (-4°F TO 140°F) -40°C TO 80°C - (-40°F TO 176°F)
<b>Physical</b>	<b>Dimensions</b> <b>Housing</b> <b>Weight</b> <b>IP Rating</b> <b>IK Rating</b> <b>Finish</b> <b>Source Life</b> <b>Connection</b> <b>Mounting</b> <b>Lens</b> <b>CRI</b> <b>LED Qty</b> <b>Data Maximum Run Length</b>	Ø165mm x 223mm (H) With Bracket Die-cast Aluminium (black:RAL 9005 / grey:RAL80147 / red:RAL 3005) 3kgs IP66, Suitable for high pressure cleaning IK07 Anodised Brushed Aluminium, Corrosion resistant 50,000 hours/L70 at 25°C 6Pin AC/DMX cable in and cable out with IP connectors for daisy chain Bracket, Landscape Spike Full Snoot, Full Snoot Honeycomb, Half Snoot >82 (92 available on request) 4pcs TBD
<b>Optical</b>	<b>Beam Angle</b> <b>Colour Range</b>  <b>LED Type</b> <b>Luminous Flux</b>	5°, 10°, 25°, 40°, 20°x40°, 10°x35°, 10°x60°, 30°x60° White (2400K, 2700K, 3000K, 3500K, 4000K, 5000K, 6000K), RGB, RGBW, RGBA, Dynamic White (2200K-5000K) High Power LEDs 827lm (RGBW @ 10°) / 1535lm (4000k @ 10°)
<b>Control</b>	<b>Dimming Protocols</b>  <b>Controlled</b>	X-Stream (with PXT/PXR devices), SPI, DMX, DALI, or PWM Dimming via Remote Controller AC100-240V input, Integrated PSU & DMX/RDM control & addressed by RDM Tester or DALI dimmable or 0-10 dimmable
<b>Fixture Rating &amp; Certifications</b>	<b>CE, SAA, C-TICK (RCM), LM79, TM-21</b>	
<b>Limited Warranty</b>	<b>5 Years</b>	Extendable warranty available

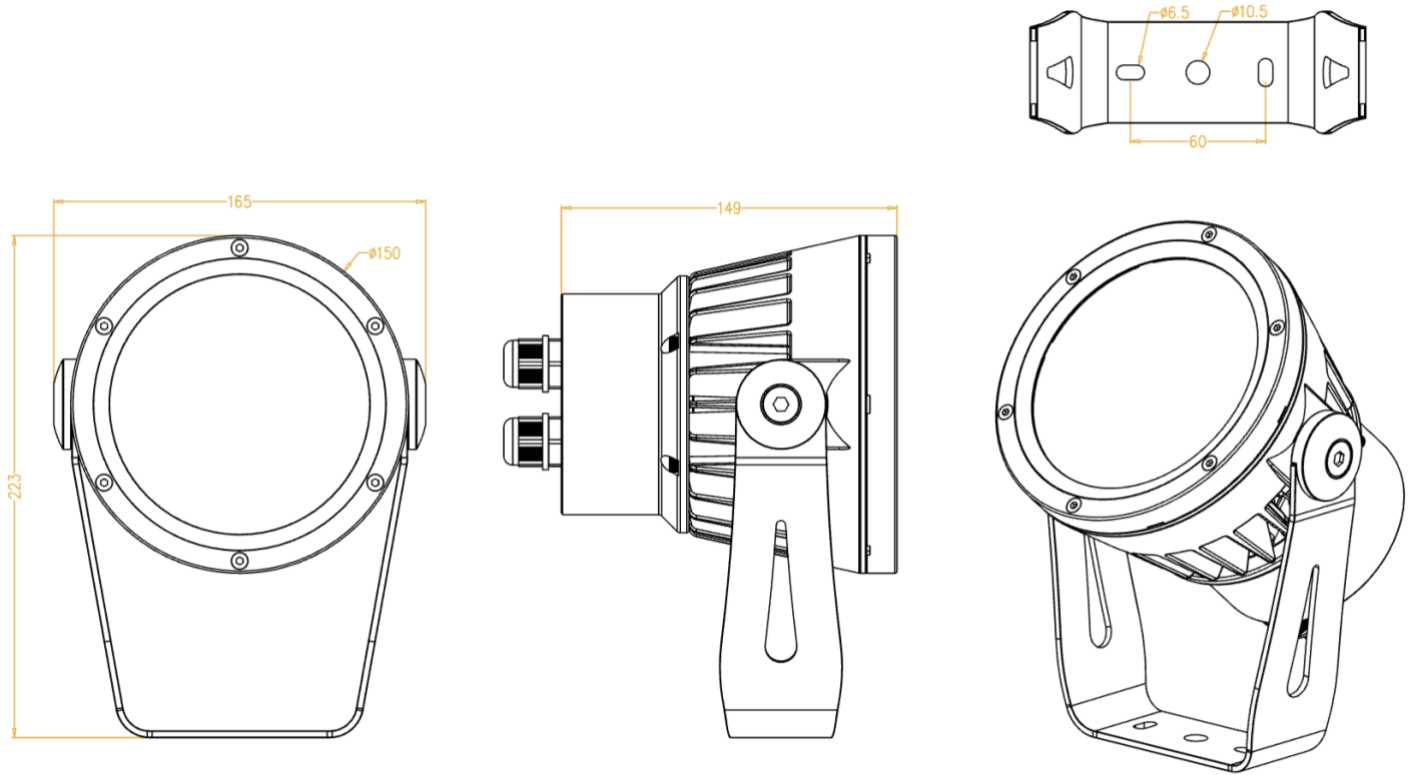
# BXS30

## DATASHEET – SPECIFICATIONS

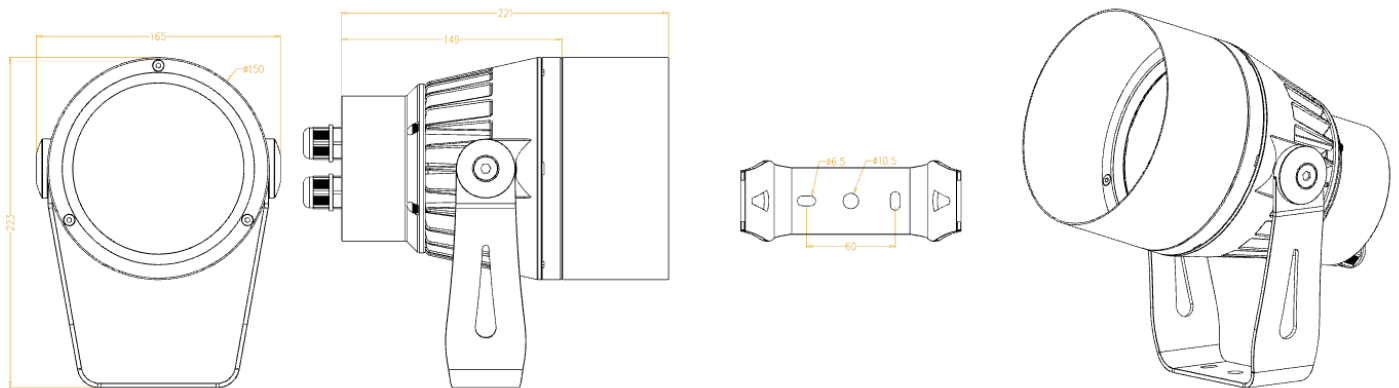
### BXS30 | SPOTLIGHT SERIES RANGE

#### DIMENSIONS & MOUNTING

#### DIMENSIONS



#### DIMENSIONS – FULL SNOOT



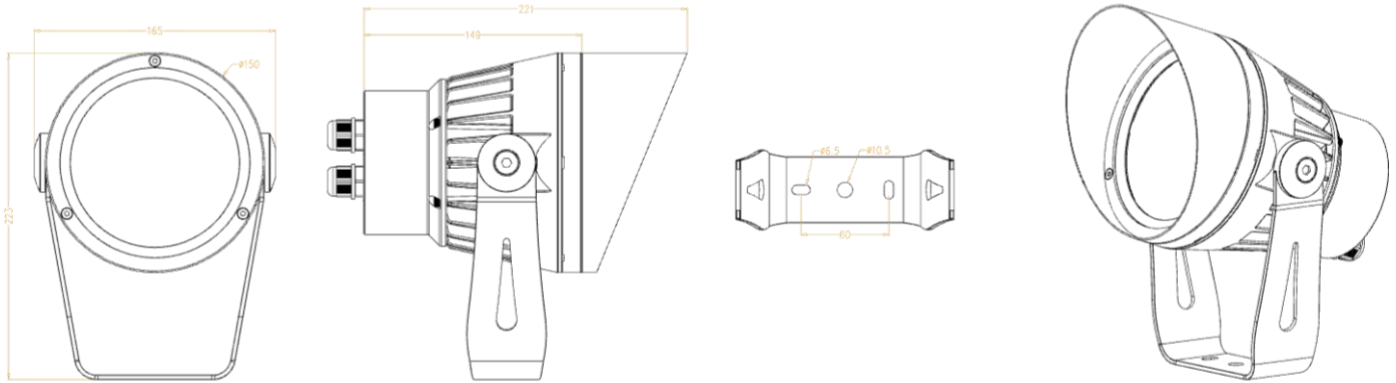
# BXS30

## DATASHEET – SPECIFICATIONS

### BXS30 | SPOTLIGHT SERIES RANGE

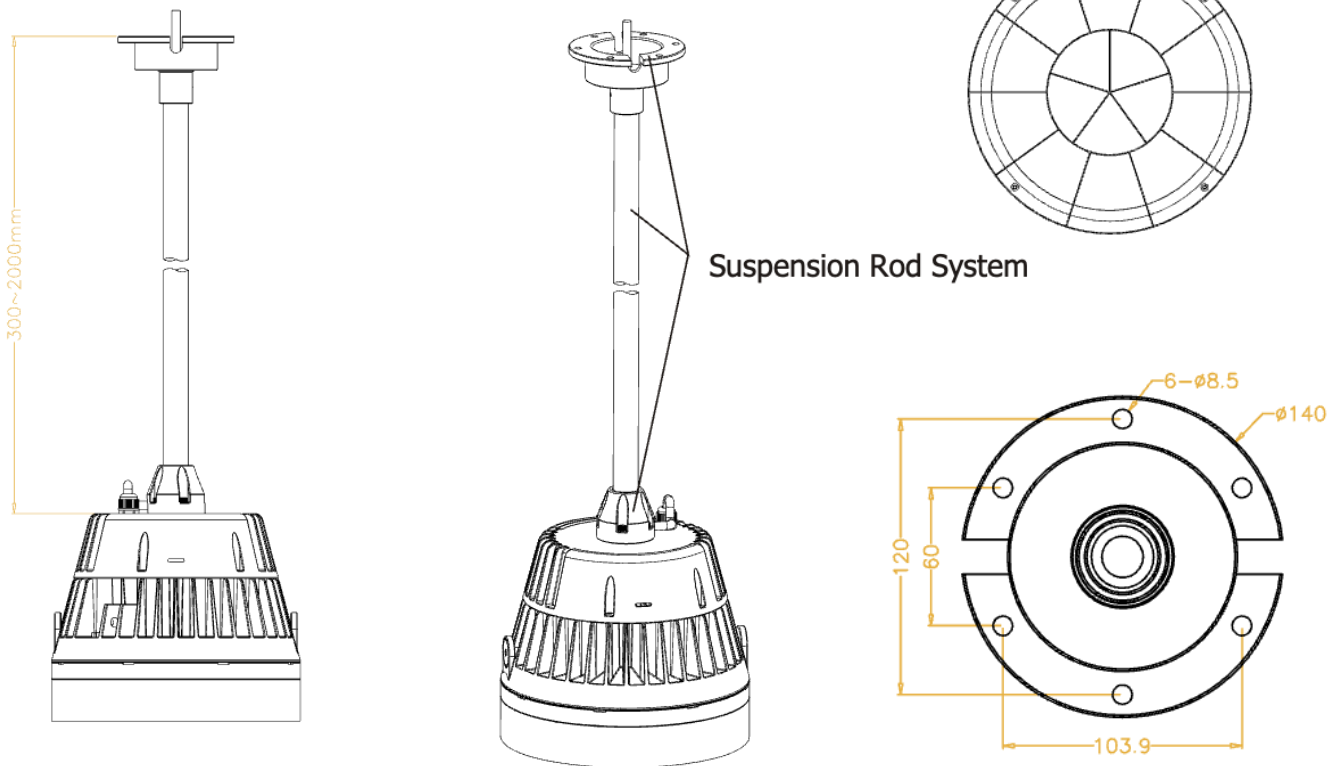
#### DIMENSIONS & MOUNTING

#### DIMENSIONS – HALF SNOOT



#### DIMENSIONS – FULL SNOOT

#### Crossed Louver



# BXS30

## BXS30 | SPOTLIGHT SERIES RANGE

### WIRING CONSIDERATIONS

### TYPICAL SYSTEM WIRING DIAGRAM

