

BXG80

DATASHEET – SPECIFICATIONS

BXG80 | GRAZER SERIES RANGE

The BXG 80 is a high-output pixel LED grazer built for architectural and infrastructure lighting, ideal for tunnels, bridges and façades.

Built from corrosion-resistant anodised aluminium with an 8mm tempered glass lens, the BXG 80 is engineered for durability in harsh environments. Rated IP66 and IK08, it ensures reliable operation in demanding outdoor conditions.

With multiple length options and support for DMX and SPI control, the BXG 80 offers flexible integration across diverse lighting projects.



PART NUMBER CONFIGURATOR

Prefix	Model	Length	LED Colour	Control	Beam Angle	Voltage	Lens Options	Housing Colour	Mount
BXG	80	305 – 305mm 610 – 610mm 915 – 915mm 1220 – 1220mm	RGB RGBW RGBA DW – Dynamic White	D – DMX S – SPI PWM X – X- Stream	25 – 25° 40 – 40° 2.4 – 20°x40° 1.1 – 10°x10° 1.6 – 10°x60° 3.6 – 30°x60° 6.6 – 60°x60° 15 – 15° AS – AS CB – CB 60 – 60° 1.3 – 10°x35°	100-277V AC	P – Poly Carbonate G – Tempered Glass 8mm	A – Anodised Aluminium B – Black W – White C – Custom	3 – 30° Swivel Mount 9 – 90° Swivel Mount F – Foot Mount
EXAMPLE: BXG – 80 – 1000 – RGBW – X – 6.6 – 24 – P – A – F									

SPECIFICATIONS

Electrical	Power Consumption Operating Voltage Operating Temperature Storage Temperature	20W (305mm) / 40W (610mm) / 60W (915mm) / 80W (1220mm) 100 – 277V AC -40°C TO 50°C - (-40°F TO 122°F) -40°C TO 80°C - (-40°F TO 176°F)
Physical	Dimensions Housing / Lens Weight IP Rating IK Rating Finish Source Life Connection Cable Length Connectors Mounting CRI Data Maximum Run Length	L – 305mm / 610mm / 915mm / 1220mm, W – 75.5mm, H – 90mm Aluminium with 8mm Tempered Glass Lens 1.35kg (305mm), 2.7kg (610mm), 4.05kg (915mm), 5.4kg (1220mm) IP66, Suitable for high pressure cleaning IK07 Anodised Brushed Aluminium, Corrosion resistant 50,000 hours/L70 at 25°C 6-pin AC/DMX (DMX version), 5-pin AC/Signal (SPI version) 0-10m Leader Cable Multipin IP68 Connectors, End to end jumpers attached to each fixture 30° Swivel Mount Included / 90° Swivel Mount Optional >82 (92 available on request) TBD
Optical	Beam Angle Colour Range LED Type Luminous Flux	10°x10°, 10°x60°, 30°x60°, 60°x60°, Asymmetric wall wash (20° angle) – Customisation available White (2400K, 2700K, 3000K, 3500K, 4000K, 5000K, 6000K), RGB, RGBW, RGBA, Dynamic White (2200K-5000K) High Power LEDs 4305lm @ 80W, 10° beam
Control	Dimming Protocols Pixel Control	X-Stream (with PXT/PXR devices), SPI, DMX, PWM DMX: 1' or 4' section control; SPI: 4-channel
Fixture Rating & Certifications	IK08, IP66, EMC, SAA, 3G	
Limited Warranty	5 Years	Extendable warranty available



WWW.LEDCTRL.COM

LED CTRL
1/483 BALMAIN ROAD
LILYFIELD
NSW 2040 AUSTRALIA

SPECIFICATIONS SUBJECT TO CHANGE WITHOUT NOTICE.
VISIT LEDCTRL.COM FOR THE MOST CURRENT SPECIFICATION.

LED Control PTE LTD UEN 201923077G
© 2025 LEDCTRL. ALL RIGHTS RESERVED.

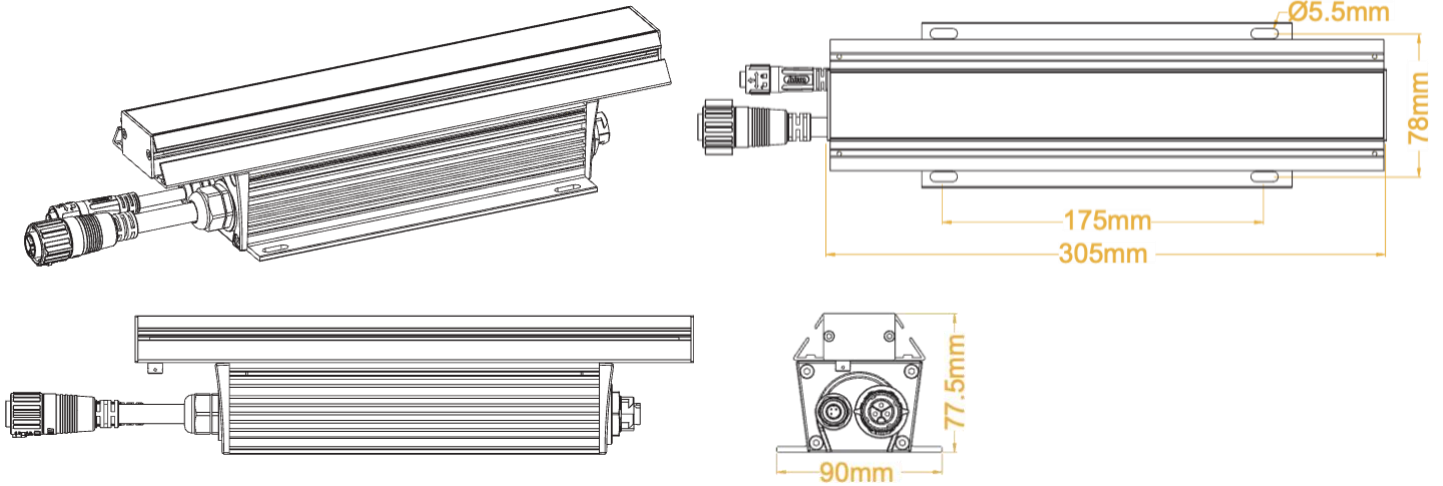
BXG80

DATASHEET – SPECIFICATIONS

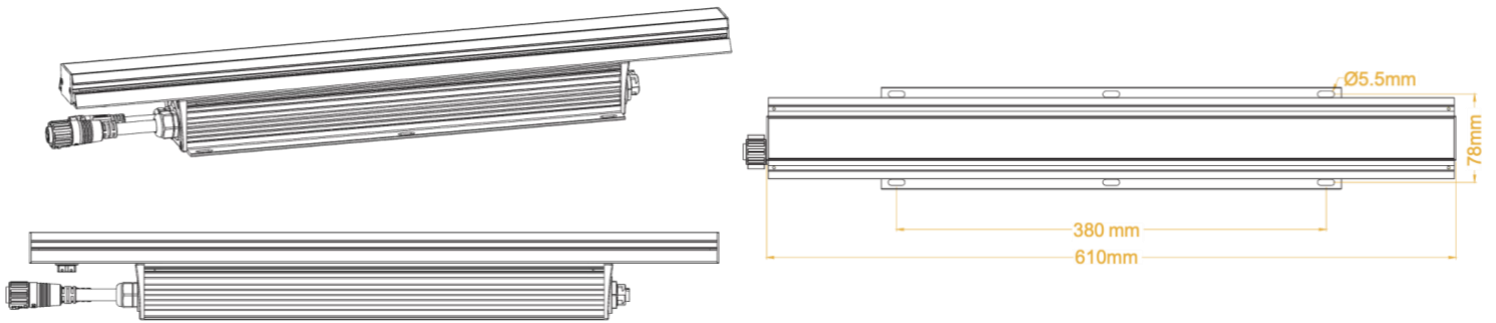
BXG80 | GRAZER SERIES RANGE

DIMENSIONS & MOUNTING

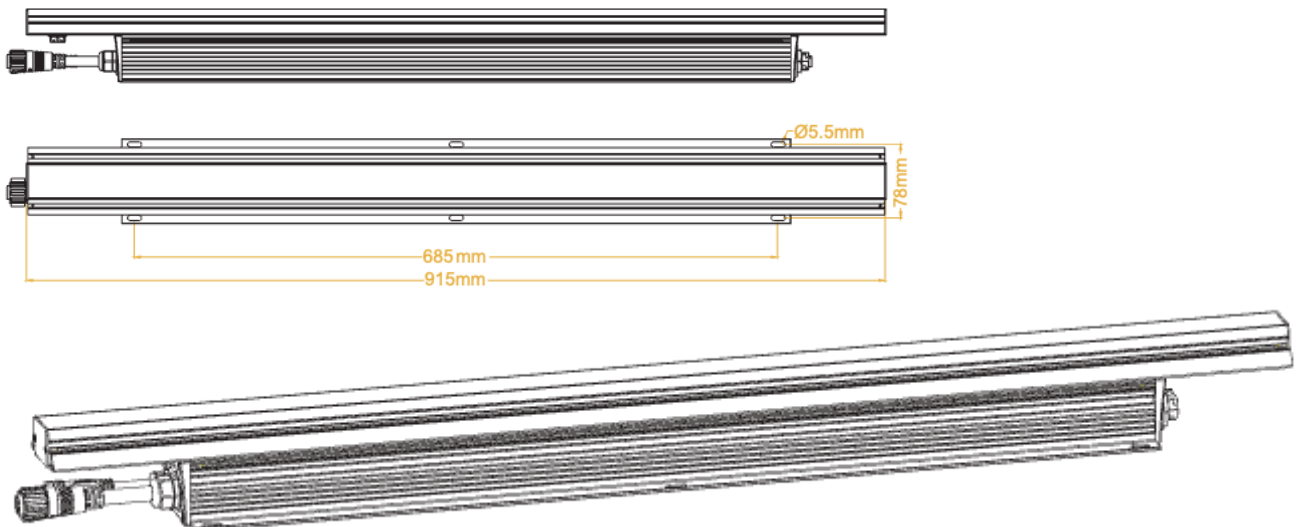
DIMENSIONS – 305mm



DIMENSIONS – 610mm



DIMENSIONS – 915mm



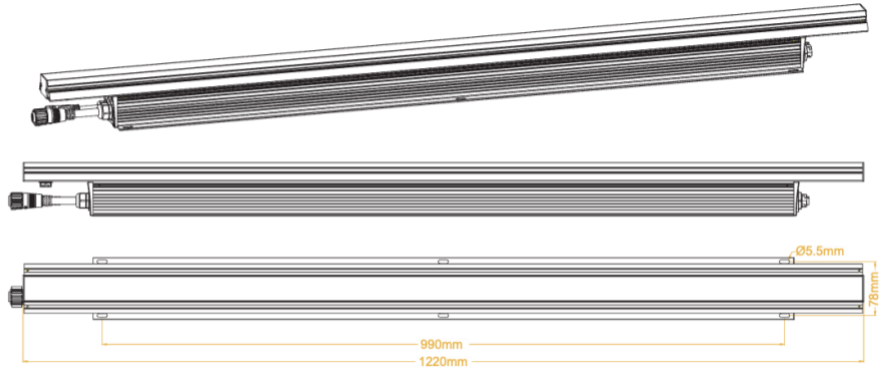
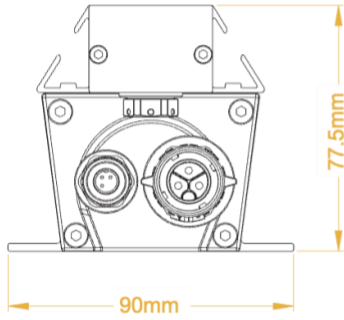
BXG80

DATASHEET – SPECIFICATIONS

BXG80 | GRAZER SERIES RANGE

DIMENSIONS & MOUNTING

DIMENSIONS – 1220mm

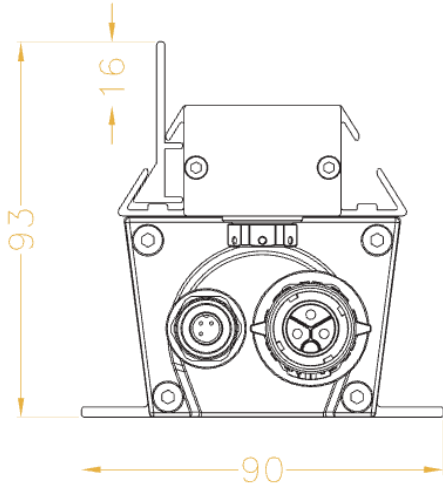


BXG80 | GRAZER SERIES RANGE

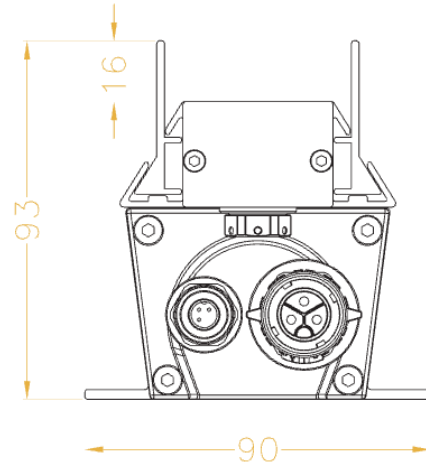
ACCESSORIES AND RELATED COMPONENTS

ACCESSORIES

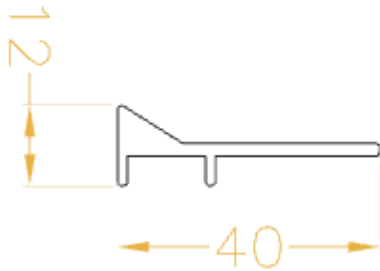
SINGLE ANTI-GLARE SHIELD



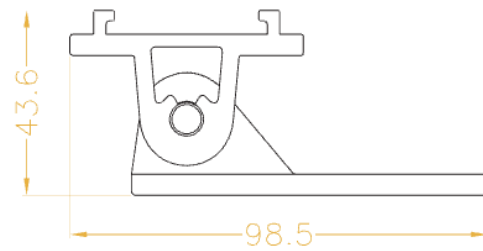
DOUBLE ANTI-GLARE SHIELD



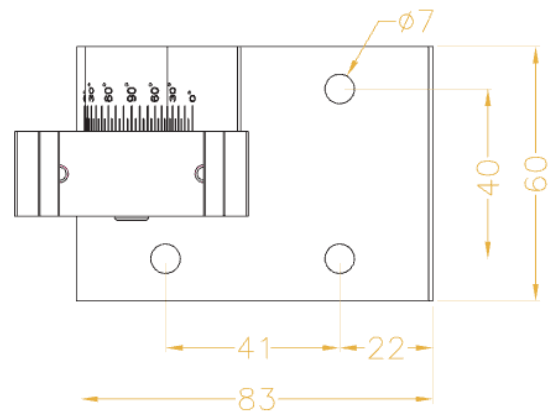
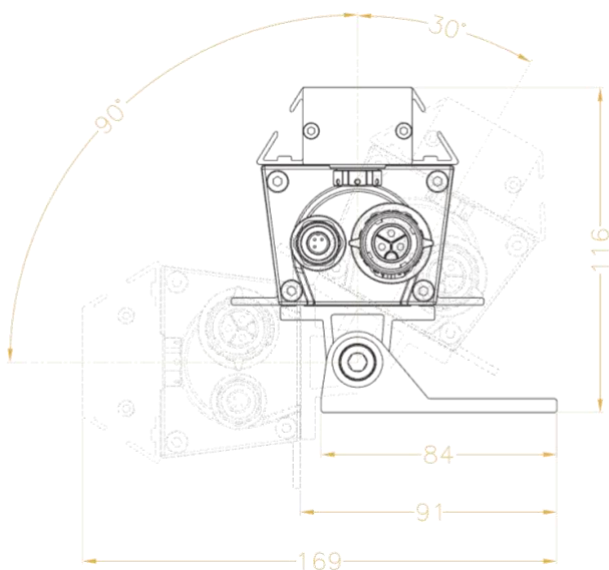
GLARE DIMENSIONS



DOUBLE UNI-STRUT BRACKET



BRACKET ADJUSTABLE RANGE



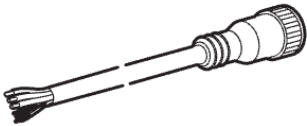
BXG80 | GRAZER SERIES RANGE

ACCESSORIES AND RELATED COMPONENTS

RELATED COMPONENTS

CONNECTION CABLES

FEEDER CABLE



Part #	Description
BXG-DF-1m	1m DMX Feeder Cable
BXG-SF-1m	1m SPI Feeder Cable
BXG-DF-3m	3m DMX Feeder Cable
BXG-SF-3m	3m SPI Feeder Cable
BXG-DF-5m	5m DMX Feeder Cable
BXG-SF-5m	5m SPI Feeder Cable

Feeder cable for GX Series IP66 Connector and bare wires. Custom lengths available

D – DMX- 6 Pin cable IP66 Rated

S – SPI – 3 Pin cable IP66 Rated

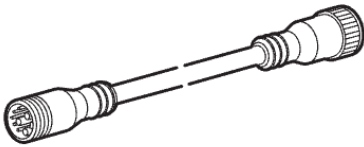
SR – SPI Redundancy

1 x 3 Pin power cable 240v AC IP66 Rated

1 x 3 Pin data cable IP66 Rated

*Note increasing feeder cable lengths impacts system designs, contact local distributors for technical system design constraints.

LINK CABLE



Part #	Description
BXG-DL-1m	1m DMX Link Cable
BXG-SL-1m	1m SPI Link Cable
BXG-DL-3m	3m DMX Link Cable
BXG-SL-3m	3m SPI Link Cable
BXG-DL-5m	5m DMX Link Cable
BXG-SL-5m	5m SPI Link Cable
BXG-DL-XX	Custom Length DMX Link Cable
BXG-SL-XX	Custom Length SPI Link Cable

Linking cables featuring IP 66 plug-and-play connectors at each end. Custom lengths are available.

D – DMX 6 Pin

S – SPI 3 Pin IP66

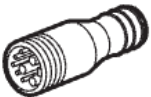
SR – SPI Redundancy

Power 3 Pin IP66

Data 3 Pin IP66

*Note increasing feeder cable lengths impacts system designs, contact local distributors for technical system design constraints.

END CAP



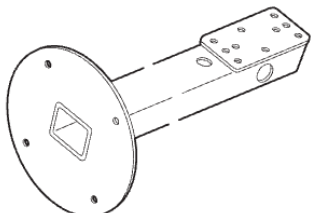
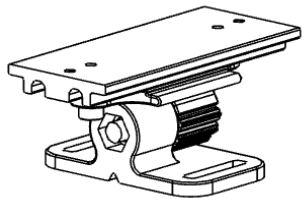
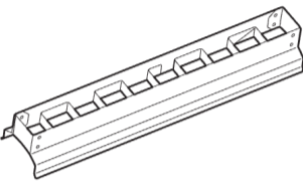

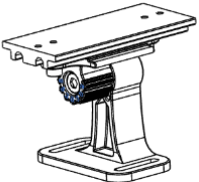
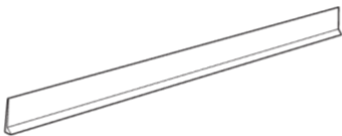
Part #	Description
BXG-DT	DMX End of Line Termination End Cap

BXG80 | GRAZER SERIES RANGE

ACCESSORIES AND RELATED COMPONENTS

RELATED COMPONENTS

MOUNTING ACCESSORIES

<p>EXTENSIONS BAR</p>  <table border="1" data-bbox="135 806 662 940"> <thead> <tr> <th>Part #</th> <th>Description</th> </tr> </thead> <tbody> <tr> <td>BXG-EXT-150</td> <td>Extension Bar – 150mm</td> </tr> <tr> <td>BXG-EXT-300</td> <td>Extension Bar – 300mm</td> </tr> <tr> <td>BXG-EXT-1000</td> <td>Extension Bar – 1000mm</td> </tr> </tbody> </table>	Part #	Description	BXG-EXT-150	Extension Bar – 150mm	BXG-EXT-300	Extension Bar – 300mm	BXG-EXT-1000	Extension Bar – 1000mm	<p>30° ANGLE ADJUSTMENT</p>  <table border="1" data-bbox="933 828 1468 907"> <thead> <tr> <th>Part #</th> <th>Description</th> </tr> </thead> <tbody> <tr> <td>BXG-M-A30</td> <td>30° Angle Adjustment</td> </tr> </tbody> </table>	Part #	Description	BXG-M-A30	30° Angle Adjustment		
Part #	Description														
BXG-EXT-150	Extension Bar – 150mm														
BXG-EXT-300	Extension Bar – 300mm														
BXG-EXT-1000	Extension Bar – 1000mm														
Part #	Description														
BXG-M-A30	30° Angle Adjustment														
<p>GLARE CONTROL LOUVRE</p>  <table border="1" data-bbox="119 1220 702 1400"> <thead> <tr> <th>Part #</th> <th>Description</th> </tr> </thead> <tbody> <tr> <td>BXG-G-L305</td> <td>Glare Control Louvre – 305mm</td> </tr> <tr> <td>BXG-G-L610</td> <td>Glare Control Louvre – 610mm</td> </tr> <tr> <td>BXG-G-L915</td> <td>Glare Control Louvre – 915mm</td> </tr> <tr> <td>BXG-G-L1220</td> <td>Glare Control Louvre – 1220mm</td> </tr> </tbody> </table>	Part #	Description	BXG-G-L305	Glare Control Louvre – 305mm	BXG-G-L610	Glare Control Louvre – 610mm	BXG-G-L915	Glare Control Louvre – 915mm	BXG-G-L1220	Glare Control Louvre – 1220mm	<p>90° FIXED BRACKET</p>  <table border="1" data-bbox="933 1254 1468 1332"> <thead> <tr> <th>Part #</th> <th>Description</th> </tr> </thead> <tbody> <tr> <td>BXG-M-F90</td> <td>90° Fixed Bracket</td> </tr> </tbody> </table>	Part #	Description	BXG-M-F90	90° Fixed Bracket
Part #	Description														
BXG-G-L305	Glare Control Louvre – 305mm														
BXG-G-L610	Glare Control Louvre – 610mm														
BXG-G-L915	Glare Control Louvre – 915mm														
BXG-G-L1220	Glare Control Louvre – 1220mm														
Part #	Description														
BXG-M-F90	90° Fixed Bracket														
<p>90° ANGLE ADJUSTMENT</p>  <table border="1" data-bbox="135 1702 662 1780"> <thead> <tr> <th>Part #</th> <th>Description</th> </tr> </thead> <tbody> <tr> <td>BXG-M-A90</td> <td>90° Fixed Bracket</td> </tr> </tbody> </table>	Part #	Description	BXG-M-A90	90° Fixed Bracket	<p>GLARE CONTROL INSERT</p>  <table border="1" data-bbox="885 1713 1476 1881"> <thead> <tr> <th>Part #</th> <th>Description</th> </tr> </thead> <tbody> <tr> <td>BXG-G-I305</td> <td>Glare Control Insert – 305mm</td> </tr> <tr> <td>BXG-G-I610</td> <td>Glare Control Insert – 610mm</td> </tr> <tr> <td>BXG-G-I915</td> <td>Glare Control Insert – 915mm</td> </tr> <tr> <td>BXG-G-I1220</td> <td>Glare Control Insert – 1220mm</td> </tr> </tbody> </table>	Part #	Description	BXG-G-I305	Glare Control Insert – 305mm	BXG-G-I610	Glare Control Insert – 610mm	BXG-G-I915	Glare Control Insert – 915mm	BXG-G-I1220	Glare Control Insert – 1220mm
Part #	Description														
BXG-M-A90	90° Fixed Bracket														
Part #	Description														
BXG-G-I305	Glare Control Insert – 305mm														
BXG-G-I610	Glare Control Insert – 610mm														
BXG-G-I915	Glare Control Insert – 915mm														
BXG-G-I1220	Glare Control Insert – 1220mm														

BXG80 | GRAZER SERIES RANGE

WIRING CONSIDERATIONS

TYPICAL SYSTEM WIRING DIAGRAM

