

# BXG40

## DATASHEET – SPECIFICATIONS

### BXG40 | GRAZER SERIES RANGE

The BXG 40 is a high-power LED grazer designed for architectural applications, offering bright and uniform illumination for façades, walls, and structural details.

Its anodised aluminium body and tempered glass lens ensure long-term durability, and its IP66 and IK07 rating ensures reliable performance in outdoor environments.

Available with various beam angles and control options, the BXG 40 provides flexibility for creative, dynamic, and precision lighting designs.



### PART NUMBER CONFIGURATOR

Prefix	Model	Length	LED Colour	Control	Beam Angle	Voltage	Lens Options	Housing Colour	Mount
BXG	40	500 – 500mm 1000 – 1000mm	RGB RGBW RGBA DW – Dynamic White	D – DMX S – SPI PWM X – X-Stream	15 – 15° 25 – 25° 40 – 40° 60 – 60° 1.3 – 10°x35° 1.6 – 10°x60° 3.6 – 30°x60°	AC – 100– 240V AC	P – Poly Carbonate G – Tempered Glass 8mm	A – Anodised Aluminium B – Black W – White C – Custom	3 – 30° Swivel Mount 9 – 90° Swivel Mount F – Foot Mount
<b>EXAMPLE:</b> BXG – 40 – 500 – RGBW – X – 15 – AC – P – A – F									

### SPECIFICATIONS

<b>Electrical</b>	<b>Power Consumption</b> <b>Operating Voltage</b> <b>Operating Temperature</b> <b>Storage Temperature</b>	20W (500mm) / 40W (1000mm) 100 – 240V AC -20°C TO 50°C (-4°F TO 122°F) -20°C TO 80°C (-4°F TO 176°F)
<b>Physical</b>	<b>Dimensions</b> <b>Housing / Lens</b> <b>Weight</b> <b>IP Rating</b> <b>IK Rating</b> <b>Finish</b> <b>Source Life</b> <b>Connection</b> <b>Cable Length</b> <b>Connectors</b> <b>Mounting</b>  <b>CRI</b> <b>Data Maximum Run Length</b>	L – 500mm / 1000mm, W – 70mm, H – 35mm Aluminium with 8mm Tempered Glass Lens 1.9kg (500MM), 3.8kg (1000mm) IP66, Suitable for high pressure cleaning IK07 Anodised Brushed Aluminium, Corrosion resistant 50,000 hours/L70 at 25°C 6-pin AC/DMX Cable In/Out C/W IP Connectors 0-10m Leader Cable Multipin IP68 Connectors, End to end jumpers attached to each fixture Clip Mount, Swivel Mount, Feet Mount, Magnetic Mount, U-Bracket, U-Channel >82 (92 available on request) TBD
<b>Optical</b>	<b>Beam Angle</b> <b>Colour Range</b>  <b>LED Type</b> <b>Luminous Flux</b>	15°, 25°, 40°, 60°, 10°x35°, 10°x60°, 30°x60° White (2400K, 2700K, 3000K, 3500K, 4000K, 5000K, 6000K), RGB, RGBW, RGBA, Dynamic White (2200K-5000K) High Power LEDs 3378lm @ 3000K, 10° Lens
<b>Control</b>	<b>Dimming Protocols</b> <b>Pixel Control</b>	X-Stream (with PXT/PXR devices), SPI, DMX, PWM DMX / SPI
<b>Fixture Rating &amp; Certifications</b>	<b>CE, SAA, C-TICK (RCM), LM79, TM-21, IP66, IK07, 3G</b>	
<b>Limited Warranty</b>	<b>5 Years</b>	Extendable warranty available

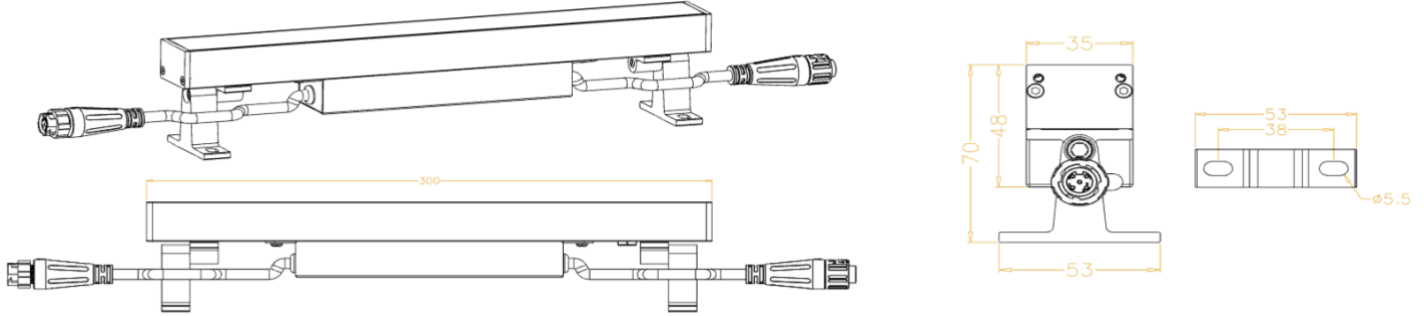
# BXG40

## DATASHEET – SPECIFICATIONS

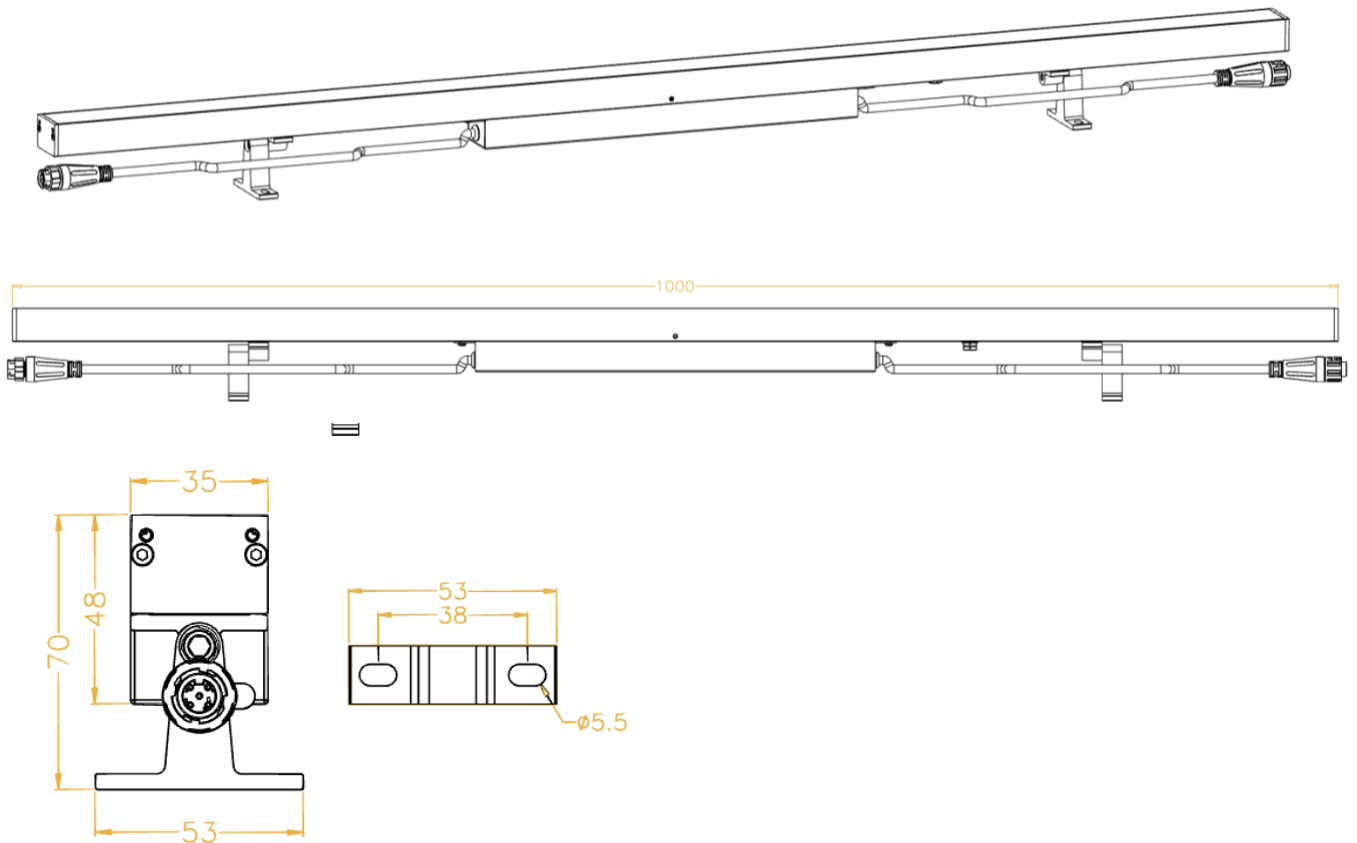
### BXG40 | GRAZER SERIES RANGE

#### DIMENSIONS & MOUNTING

##### DIMENSIONS – 500mm



##### DIMENSIONS – 1000mm



## BXG40 | GRAZER SERIES RANGE

### WIRING CONSIDERATIONS

### TYPICAL SYSTEM WIRING DIAGRAM

