

# SX4

## LONG RANGE RECEIVER DATA SHEET

### PRODUCT OVERVIEW

The SX4 is a pixel LED controller that's built to last and has all the protection one needs for successful project operations.

Paired with a MX96PRO controller, the SX4 receives differential (long distance) data and converts it into a pixel ready signal. Perfect for any professional installation, particularly when the LEDs will be separated by some distance.

### KEY FEATURES

- RECEIVE DATA UP TO 300M FROM TRANSMITTER
- UP TO 12 UNIVERSES OF DATA-ONLY PIXELS
- POWER IN AND FUSE GOOD LED INDICATORS
- ELECTRICAL FAULT PROTECTION ON ALL PORTS
- COMPACT FORM FACTOR



## A CLOSER LOOK AT THE RECEIVER

### 4 FULL PIXEL OUTPUTS

4 individually fused outputs suitable for data-only pixel LEDs (see next page for details). Configuring the MX96PRO transmitter unit to expanded mode exclusively allows the use of data-only pixels.

### FAULT PROTECTION

Features electrical fault protection on all inputs and all pixel output lines, resulting in higher reliability and less equipment failures over time. Each output also includes a 7.5A mini blade fuse which will help protect the pixels and power supply in a fault condition, as well as keeping the installation safe. See details on next page.

### SMALL FORM FACTOR

Compact, lightweight, slimline unit designed for mounting in tight spaces.

### CERTIFICATIONS



### QUICK CONNECT POWER

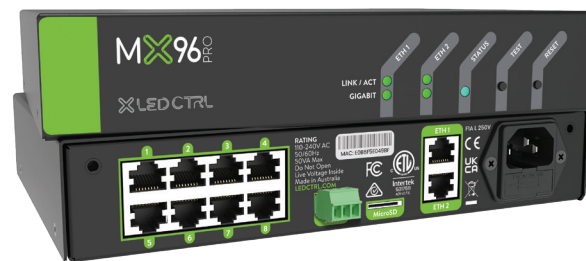
High current quick connect clamp connector for fast and reliable power connection.

### CONTENTS

- SX4
- Installation Guide

### COMPATIBLE TRANSMITTERS

MX96PRO



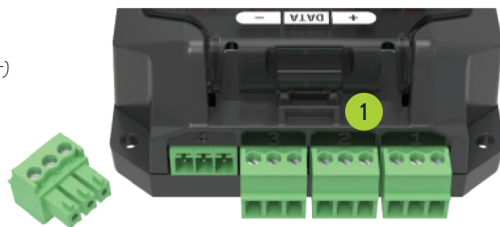
### OPTIONAL ACCESSORIES

Din-Rail Mounting Bracket



## CONNECTIVITY

- 1 Pixel Output Connectors
- 2 Data Input (From MX96PRO Transmitter)
- 3 Power Input Connector
- 4 Mini Blade Fuses
- 5 Fuse Indicator LEDs
- 6 Power Indicator LED
- 7 Mounting Holes
- 8 Tinted See-Through Flip Lid
- 9 Spare Fuse



## SPECIFICATIONS

### PHYSICAL

|                                       |   |
|---------------------------------------|---|
| Fused Pixel Outputs                   | 4   |
| Data Input (From MX96PRO Transmitter) | 1   |
| Dimensions                            | 95 x 78 x 33 mm (L x W x H)                                 |
| Weight                                | 0.2kg   |
| Enclosure                             | High Strength ABS - Black                                   |
| Ambient Operating Temperature         | -20°C to +55°C  |
| Mounting                              | Direct to wall, plate or Din-Rail (with optional accessory) |

### POWER

|                          |                        |
|--------------------------|------------------------|
| Input Power              | 5V - 24V DC            |
| Per Output Current Limit | 7.5A (Mini Blade Fuse) |

### FAULT PROTECTION

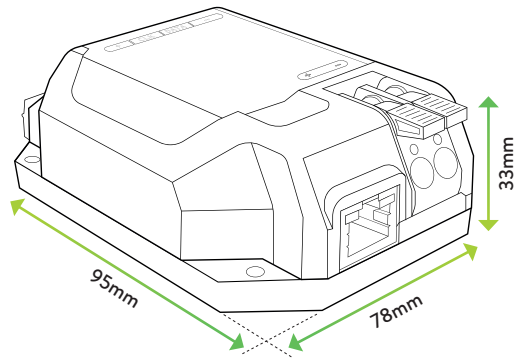
|                               |  |
|-------------------------------|--|
| Data Input                    | +/- 24V DC fault protection                    |
| Pixel Output Clock/Data       | +/- 24V DC fault protection                    |
| Pixel Output Power            | Over Current and Short Circuit protection      |
| Electrostatic Discharge (ESD) | Protection on all Pixel Outputs and Data Input |

### PIXEL DATA

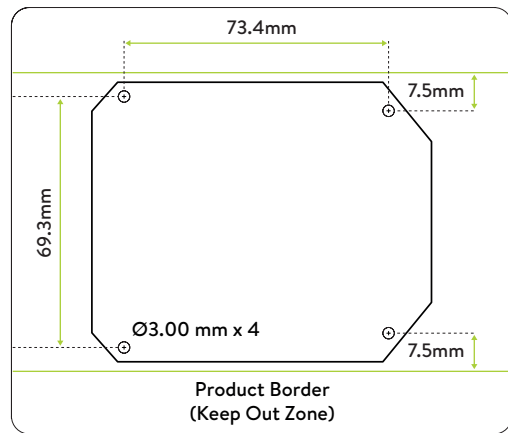
|   |  |                      |
|---|--|----------------------|
| <i>(Limits are set by the configuration of the transmitter)</i> |  | <i>Expanded Mode</i> |
| Pixel Outputs   |  | 4                    |
| RGB Pixels per Output   |  | 510                  |
| RGBW Pixels per Output  |  | 384                  |
| Universes per Pixel Output                                      |  | 3                    |
| Total Pixel Universes   |  | 24                   |

## DIMENSIONS

### OVERALL DIMENSIONS



### MOUNTING DIMENSIONS



## TYPICAL WIRING DIAGRAM

