

# SX4

## LONG RANGE RECEIVER DATA SHEET

### PRODUCT OVERVIEW

The SX4 is a pixel LED controller that's built to last and has all the protection one needs for successful project operations.

Paired with a MX96PRO controller, the SX4 receives differential (long distance) data and converts it into a pixel ready signal. Perfect for any professional installation, particularly when the LEDs will be separated by some distance.

### KEY FEATURES

- RECEIVE DATA UP TO 300M FROM TRANSMITTER
- UP TO 12 UNIVERSES OF DATA-ONLY PIXELS
- POWER IN AND FUSE GOOD LED INDICATORS
- ELECTRICAL FAULT PROTECTION ON ALL PORTS
- COMPACT FORM FACTOR



## A CLOSER LOOK AT THE RECEIVER

### 4 FULL PIXEL OUTPUTS

4 individually fused outputs suitable for data-only pixel LEDs (see next page for details). Configuring the MX96PRO transmitter unit to expanded mode exclusively allows the use of data-only pixels.

### FAULT PROTECTION

Features electrical fault protection on all inputs and all pixel output lines, resulting in higher reliability and less equipment failures over time. Each output also includes a 7.5A mini blade fuse which will help protect the pixels and power supply in a fault condition, as well as keeping the installation safe. See details on next page.

### SMALL FORM FACTOR

Compact, lightweight, slimline unit designed for mounting in tight spaces.

### CERTIFICATIONS



### QUICK CONNECT POWER

High current quick connect clamp connector for fast and reliable power connection.

### CONTENTS

- SX4
- Installation Guide

### COMPATIBLE TRANSMITTERS

MX96PRO



### OPTIONAL ACCESSORIES

Din-Rail Mounting Bracket



## CONNECTIVITY

- 1 Pixel Output Connectors
- 2 Data Input (From MX96PRO Transmitter)
- 3 Power Input Connector
- 4 Mini Blade Fuses
- 5 Fuse Indicator LEDs
- 6 Power Indicator LED
- 7 Mounting Holes
- 8 Tinted See-Through Flip Lid
- 9 Spare Fuse



## SPECIFICATIONS

### PHYSICAL

Fused Pixel Outputs	4
Data Input (From MX96PRO Transmitter)	1
Dimensions	95 x 78 x 33 mm (L x W x H)
Weight	0.2kg
Enclosure	High Strength ABS - Black
Ambient Operating Temperature	-20°C to +55°C
Mounting	Direct to wall, plate or Din-Rail (with optional accessory)

### POWER

Input Power	5V - 24V DC
Per Output Current Limit	7.5A (Mini Blade Fuse)

### FAULT PROTECTION

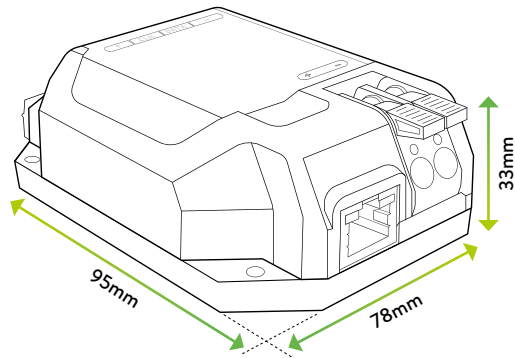
Data Input	+/- 24V DC fault protection
Pixel Output Clock/Data	+/- 24V DC fault protection
Pixel Output Power	Over Current and Short Circuit protection
Electrostatic Discharge (ESD)	Protection on all Pixel Outputs and Data Input

### PIXEL DATA

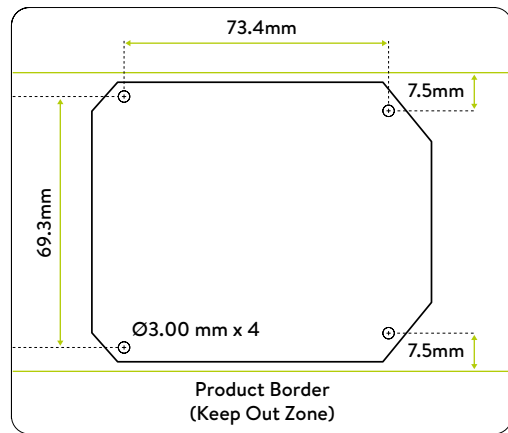
<i>(Limits are set by the configuration of the transmitter)</i>		<i>Expanded Mode</i>
Pixel Outputs		4
RGB Pixels per Output		510
RGBW Pixels per Output		384
Universes per Pixel Output		3
Total Pixel Universes		24

## DIMENSIONS

### OVERALL DIMENSIONS



### MOUNTING DIMENSIONS



## TYPICAL WIRING DIAGRAM

