



LONG RANGE RECEIVER DATA SHEET

PRODUCT OVERVIEW

The SX2 is a pixel LED controller that's built to last and has all the protection one needs for successful project operations.

Paired with a MX96PRO controller, the SX2 receives differential (long distance) data and converts it into a pixel ready signal. Perfect for any professional installation, particularly when the LEDs will be separated by some distance.

KEY FEATURES

- RECEIVE DATA UP TO 300M FROM TRANSMITTER
- UP TO 12 UNIVERSES OF CLOCKED OR DATA-ONLY PIXELS
- POWER IN AND FUSE GOOD LED INDICATORS
- ELECTRICAL FAULT PROTECTION ON ALL PORTS
- COMPACT FORM FACTOR



A CLOSER LOOK AT THE RECEIVER

2 FULL PIXEL OUTPUTS

2 individually fused outputs suitable for clocked or data-only pixel LEDs (see next page for details).

FAULT PROTECTION

Features electrical fault protection on all inputs and all pixel output lines, resulting in higher reliability and less equipment failures over time. Each output also includes a 7.5A mini blade fuse which will help protect the pixels and power supply in a fault condition, as well as keeping the installation safe. See details on next page.

SMALL FORM FACTOR

Compact, lightweight, slimline unit designed for mounting in tight spaces.

CERTIFICATIONS



QUICK CONNECT POWER

High current quick connect clamp connector for fast and reliable power connection.

CONTENTS

- SX2
- Installation Guide

COMPATIBLE TRANSMITTERS

MX96PRO



OPTIONAL ACCESSORIES

Din-Rail Mounting Bracket



CONNECTIVITY

- 1 Pixel Output Connectors
- 2 Data Input (From MX96PRO Transmitter)
- 3 Power Input Connector
- 4 Mini Blade Fuses
- 5 Fuse Indicator LEDs
- 6 Power Indicator LED
- 7 Mounting Holes
- 8 Tinted See-Through Flip Lid
- 9 Spare Fuse



SPECIFICATIONS

PHYSICAL

Fused Pixel Outputs	2
Data Input (From MX96PRO Transmitter)	1
Dimensions	95 x 78 x 33 mm (L x W x H)
Weight	0.2kg
Enclosure	High Strength ABS - Black
Ambient Operating Temperature	-20°C to +55°C
Mounting	Direct to wall, plate or Din-Rail (with optional accessory)

POWER

Input Power	5V - 24V DC
Per Output Current Limit	7.5A (Mini Blade Fuse)

FAULT PROTECTION

Data Input	+/- 24V DC fault protection
Pixel Output Clock/Data	+/- 24V DC fault protection
Pixel Output Power	Over Current and Short Circuit protection
Electrostatic Discharge (ESD)	Protection on all Pixel Outputs and Data Input

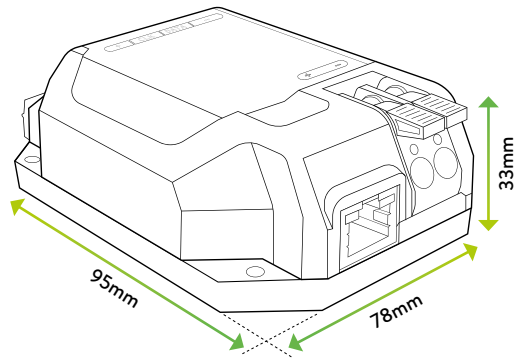
PIXEL DATA

	Normal Mode
Pixel Outputs	2
RGB Pixels per Output	1020
RGBW Pixels per Output	768
Universes per Pixel Output	6
Total Pixel Universes	24

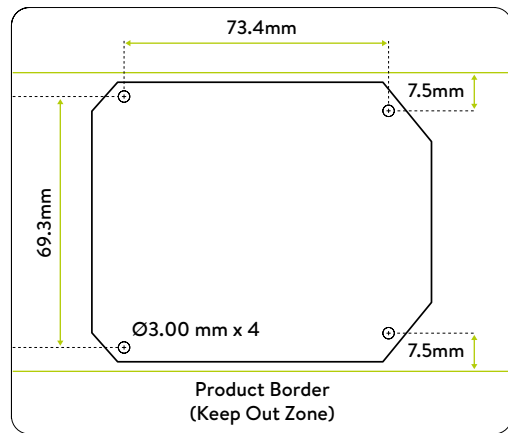
(Limits are set by the configuration of the transmitter)

DIMENSIONS

OVERALL DIMENSIONS



MOUNTING DIMENSIONS



TYPICAL WIRING DIAGRAM

